

This unit provides no anti-siphon or backflow protection.



Freezeless Wall Hydrants Model 70

The Model 70 is a frost proof wall hydrant with recessed head. The hydrant is designed for irrigation purposes to blend with modern architecture for installation on schools, office buildings, churches, apartments, motels, stores, shopping centers and industrial buildings.

SPECIFICATIONS:

VALVE SEAT – Permanent type brass valve body with hemispherical seating surface.

STEM – Hardened stainless steel stem resists damage.

PACKING – EPDM rubber with adjustable packing nut.

OPERATING ROD – 3/8" solid brass

OPERATION – Tamper resistant removable tee key.

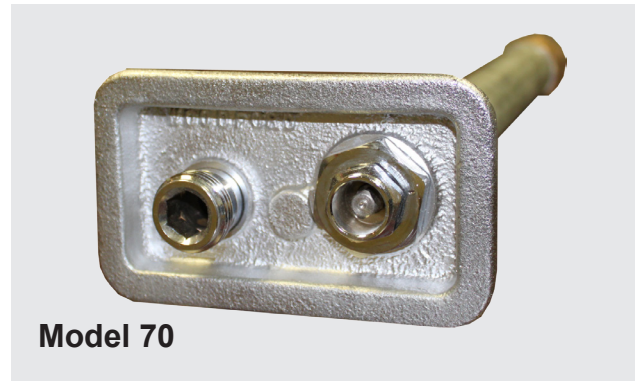
CASING – 1" galvanized steel pipe

HOSE NOZZLE – 3/4" male hose thread
Optional 1" hose thread

INLETS – As shown at right.

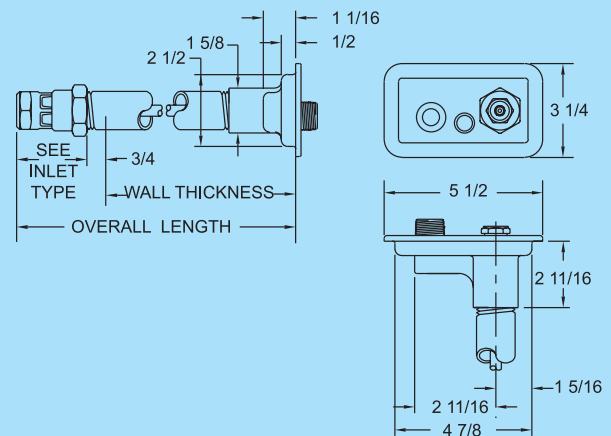
MAX PRESSURE – 125 p.s.i.

MAX TEMPERATURE - 120° F

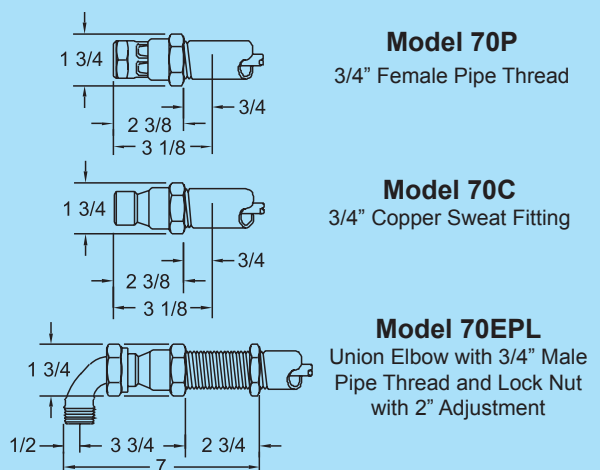


Model 70

Rough-In Dimensions



Inlet Descriptions

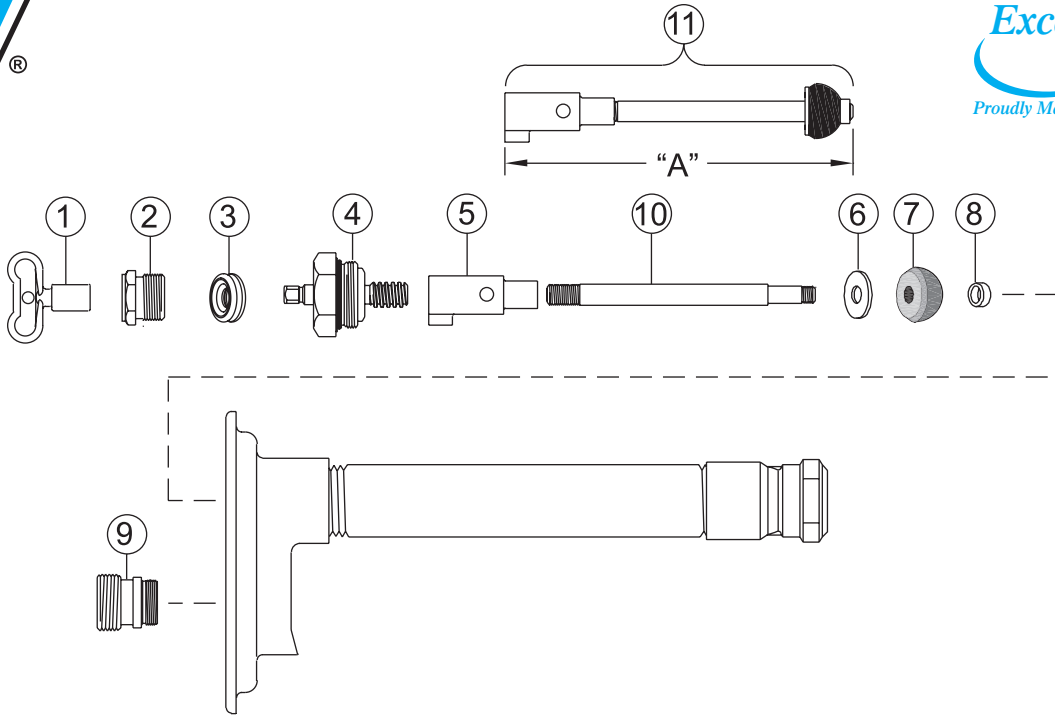


For Installation / Troubleshooting Instructions go to www.woodfordmfg.com or call 1-800-621-6032

Specify as follows:

Wall hydrant shall be recessed type Woodford Model 70. 3/4" hose thread nozzle. Hardened stainless steel operating stem. Packing nut secured with lock nut. Permanent type valve body with large hemispherical seating surface. Exterior finish to be Chrome Plated (options: Polished Brass or Rough Brass). Loose tee key to be furnished with each hydrant. Wall thickness to be _____ inches.

When ordering, specify model number, inlet and finish.



MODEL 70 PARTS LIST

ITEM	PART#	DESCRIPTION
1	50009	Tee Key
2	30109 30107	Packing Nut - chrome Packing Nut - brass
3	30247	Packing
4	55177 55176	Head Nut Assembly - chrome Head Nut Assembly - brass
5	51014	Yoke Nut
6	50027	Plain Support Washer
7	51013	Ball Valve Rubber
8	50028	Round Brass Nut
9	55437 55435	Hose Nozzle - chrome Hose Nozzle - brass
10		Operating Rod (Sold with item 11 only)
11		Operating Rod Assembly (See chart Dim. "A")
	RK-70	Repair Kit (Includes Items 1-8)

**OPERATING ROD ASSEMBLY
 DIM "A"**

Wall Thickness	Length	Part No.
4	5 1/2"	55304
6	7 1/2"	55306
8	9 1/2"	55308
10	11 1/2"	55310
12	13 1/2"	55312
14	15 1/2"	55314
16	17 1/2"	55316
18	19 1/2"	55318
20	21 1/2"	55320
22	23 1/2"	55322
24	25 1/2"	55324

Wall Thickness	4	6	8	10	12	14	16	18	20	22	24
Overall Length	7 1/8	9 1/8	11 1/8	13 1/8	15 1/8	17 1/8	19 1/8	21 1/8	23 1/8	25 1/8	27 1/8
Shipping Wt.	4.5	4.8	5.1	5.5	5.9	6.4	6.8	7.3	7.9	8.2	9

For more information contact...

WOODFORD MANUFACTURING COMPANY

2121 Waynoka Road, Colorado Springs, Colorado 80915 • Phone: (800) 621-6032 • Fax: (800) 765-4115
 To view our complete product line visit: www.woodfordmfg.com or email: sales@woodfordmfg.com
 A Division Of WCM Industries, Inc.