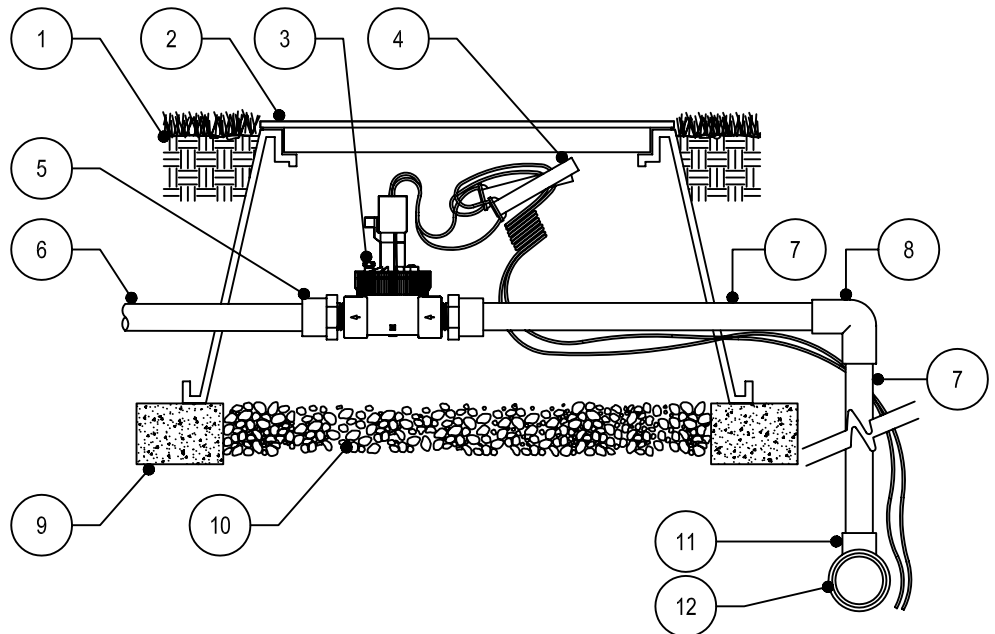




TORO-IRRIGATION DIVISION
 5825 JASMINE STREET
 RIVERSIDE, CA 92504
 TOLL FREE: 1-800-664-4740
 PHONE: (951) 785-3152
 FAX: (951) 359-1870
 www.toro.com

LEGEND

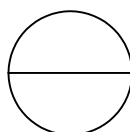
- 1. FINISHED GRADE
- 2. VALVE BOX & COVER
- 3. TORO FxF REMOTE CONTROL VALVE WITH FLOW CONTROL AND WITH WIRED SOLENOID MODEL NO. EZF-26-04 SEE LEGEND.
- 4. CONTROL WIRES WITH 12" MIN. SERVICE COIL AND WATERPROOF WIRE SPLICE CONNECTORS
- 5. PVC MALE ADAPTER (TYP.)
- 6. PVC LATERAL LINE SEE SPECS. FOR DEPTH
- 7. PVC MAIN LINE LENGTH AS REQUIRED
- 8. PVC ELBOW
- 9. CONTINUOUS BRICK SUPPORTS
- 10. GRAVEL (1 CU. FT.)
- 11. PVC TEE OR ELBOW (TYP.)
- 12. PVC MAIN LINE (TYP.) SEE SPECS. FOR DEPTH



NOTES:
 SEE PLANS, LEGEND AND SPECIFICATIONS FOR ADDITIONAL INSTALLATION NOTES.

SECTION/ELEVATION
 NOT TO SCALE

- NOTES:
- 1. INSTALLATION TO BE COMPLETED IN ACCORDANCE WITH MANUFACTURERS SPECIFICATIONS.
 - 2. DO NOT SCALE DRAWINGS.
 - 3. CONTRACTORS NOTE: FOR PRODUCT AND COMPANY INFORMATION VISIT www.CADdetails.com/info REFERENCE NUMBER 065-165d.



EZ-FLO® PLUS SERIES

1" PLASTIC VALVE (FxF THREADED, WIRED SOLENOID) - WITH FLOW CONTROL