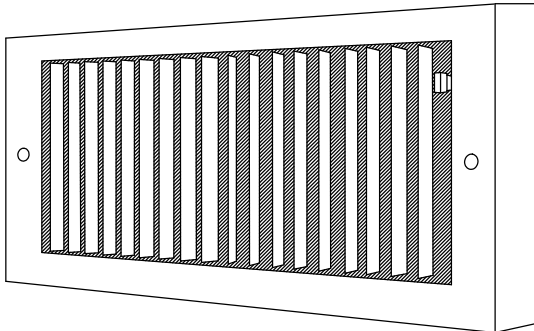


955 Series Baseboard Register



Standard:

- Extruded aluminum construction with steel multi-shutter damper
- Margin edges are 7/8" projection for baseboard installation
- Nylon bushings for easy adjustment and quiet setting of airfoil blades
- Blades run parallel to shortest dimension
- Mounting holes with color matching Phillips screws
- Soft White

Optional:

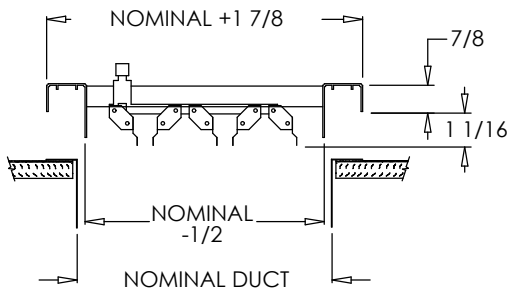
- Steel Opposed Blade Damper (955 O)

Finishes:

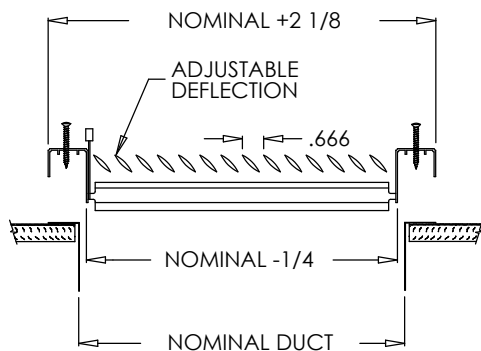
- Driftwood Tan

Designer colors:

- | | |
|--|---------------------------------------|
| <input type="checkbox"/> Forest Green | <input type="checkbox"/> Royal Blue |
| <input type="checkbox"/> Burgundy | <input type="checkbox"/> Coffee Tan |
| <input type="checkbox"/> Camaro Silver | <input type="checkbox"/> Almond |
| <input type="checkbox"/> Bronze | <input type="checkbox"/> Black Velvet |
| <input type="checkbox"/> Navajo White | <input type="checkbox"/> Vanilla |



955-O



955

PROJECT	SUBMITTAL REVIEW
LOCATION	
ENGINEER	
ARCHITECT	
CONTRACTOR	