

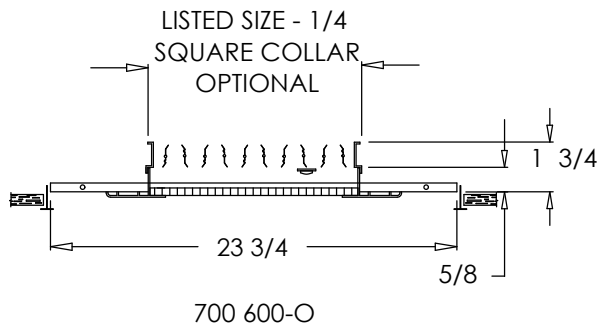
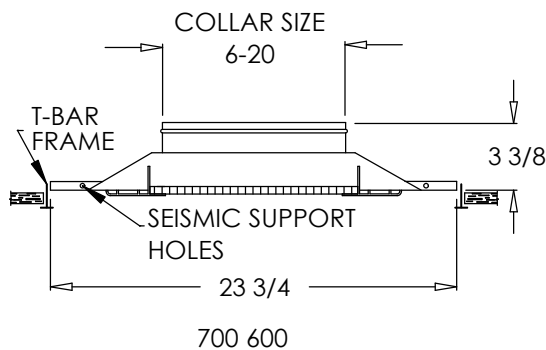
700-600 Series T-Bar Aluminum Lattice

Standard:

- 1/2" x 1/2" x 1/2" aluminum lattice return air grille with .055 T6 extruded aluminum frame (600)
- 2 x 2 galvaneal steel panel with seismic support holes (700)
- Square to round No Labor Collar
- Soft White

Optional:

- Opposed Blade Damper (700 600 O)
- Square Collar
- 1/2" x 1/2" X 1" Lattice
- 1" x 1" X 1" Lattice
- TVB - Thermal Vapor Blanket: 1" thick 2 x 2 foil faced self-adhesive insulation blanket



PROJECT	SUBMITTAL REVIEW
LOCATION	
ENGINEER	
ARCHITECT	
CONTRACTOR	