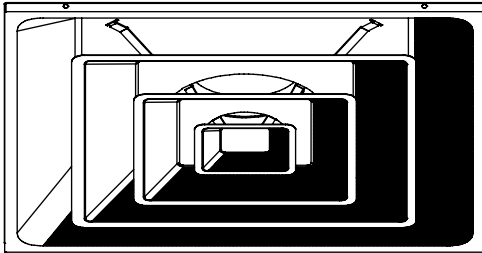


### FTD Series High Volume Fixed T-Bar Diffuser

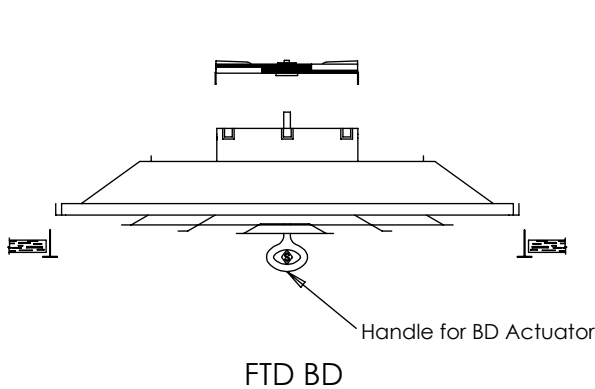
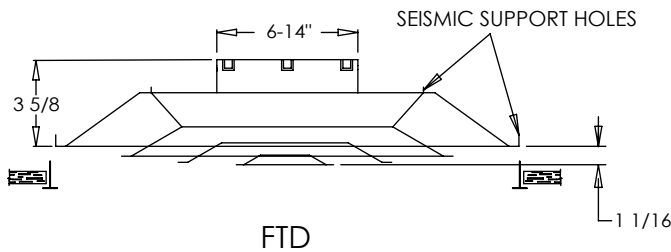


**Standard:**

- Galvaneal steel fixed face designed for high volume air delivery
- 360° air diffusion
- No Labor collar
- Seismic support hangers
- Collar sizes 6", 8", 10", 12", 14"

**Optional:**

- Field installable Bowtie Damper (BD)



PROJECT	SUBMITTAL REVIEW
LOCATION	
ENGINEER	
ARCHITECT	
CONTRACTOR	