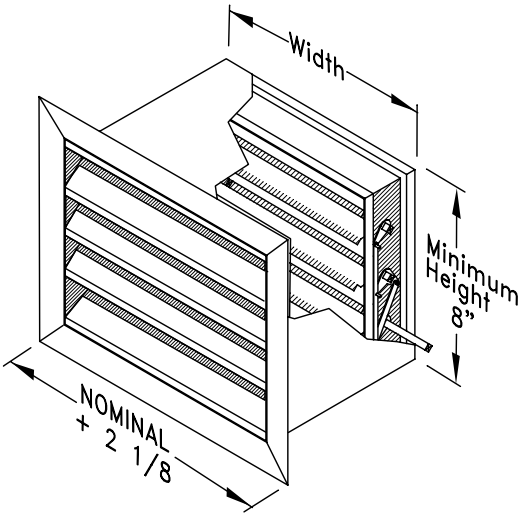




DAMPER LOUVER SUBMITTAL FORM

4500 3000 OBD
4500 3000 P

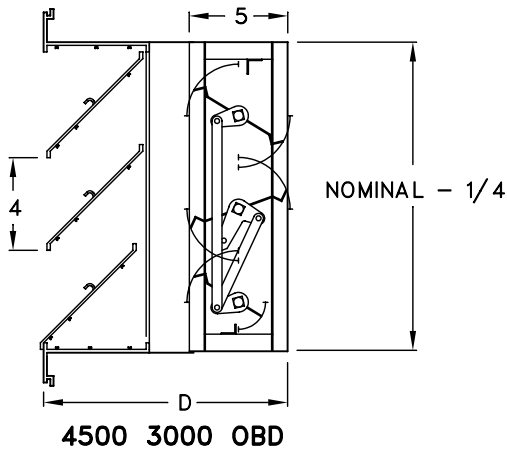


**4500-3000 Series
Combination Stationary
Outside Air Louver with Air
Control Damper
Standard:**

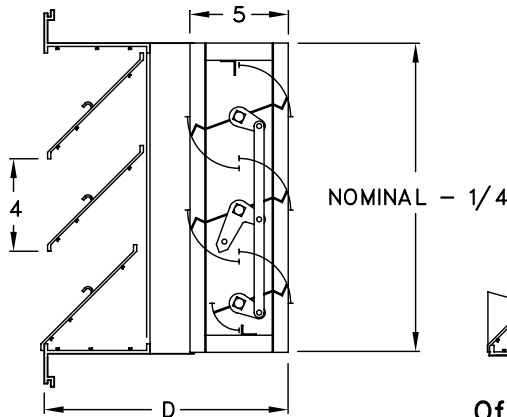
- Extruded Aluminum blade and frame
- 4" deep
- Sleeve attached to 4500 for easy mounting
- Finish Driftwood Tan

Optional:

- Offset Channel Frame(4500-3000 OF)
 - Flush Mount channel frame (4500-3000 CF)
 - 3000 Series OBD Air control damper
 - OBD with Low Leak Package(OBDLL)
 - Series PLL with low leak package
 - Damper Motors
- Finishes**
- Soft White
- Optional Colors:**
- Green
 - Camaro Silver
 - Bronze
 - Blue
 - Coffee Tan
 - Almond
 - Black
 - Vanilla



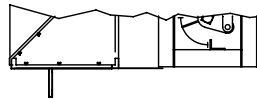
4500 3000 OBD



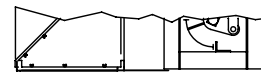
4500 3000 P

4500 3000		4500 3000		4500 3000	
Height	D	Height	D	Height	D
6"	8 1/8"	18"	10 7/8"	34"	9 7/8"
8" Single Blade	10 1/8"	20"	9 3/8"	36"	10 7/8"
8" Double Blade	8 1/8"	22"	9 7/8"	38"	9 3/8"
10" Single Blade	12 1/8"	24"	10 7/8"	40"	9 7/8"
10" Double Blade	8 1/8"	26"	9 3/8"	42"	10 7/8"
12"	8 1/8"	28"	9 7/8"	44"	9 3/8"
14"	8 7/8"	30"	10 7/8"	46"	9 7/8"
16"	9 7/8"	32"	9 3/8"	48"	10 7/8"

*Add 3/4" to D for low leak package



Offset Channel Frame (4500 3000 P OF)



Flush Mount channel frame (4500 3000 P CF)

PROJECT	SUBMITTAL REVIEW
LOCATION	
ENGINEER	
ARCHITECT	
CONTRACTOR	