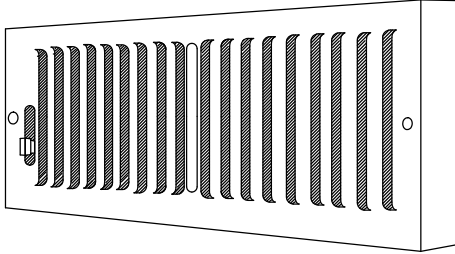


### 855 Series Baseboard Register

#### Standard:

- All steel construction
- 1/2" Fan-shaped louvers
- Mounting holes with color matching Phillips screws
- Steel Multi-Shutter Damper
- 7/8" margin turnback
- Soft White



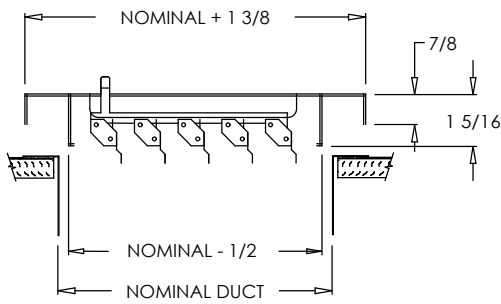
#### Optional:

##### Finishes:

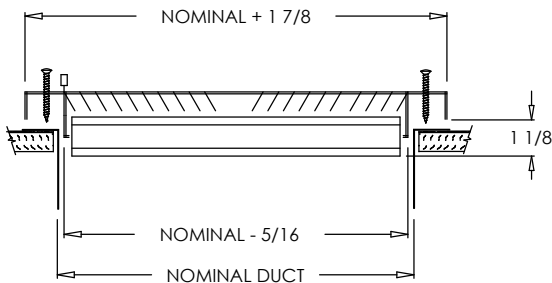
- Driftwood Tan

##### Designer Colors:

- |  |                                       |
|--|---------------------------------------|
| <input type="checkbox"/> Forest Green  | <input type="checkbox"/> Royal Blue   |
| <input type="checkbox"/> Burgundy      | <input type="checkbox"/> Coffee Tan   |
| <input type="checkbox"/> Camaro Silver | <input type="checkbox"/> Almond       |
| <input type="checkbox"/> Bronze        | <input type="checkbox"/> Black Velvet |
| <input type="checkbox"/> Navajo White  | <input type="checkbox"/> Vanilla      |



855



855

PROJECT	SUBMITTAL REVIEW
LOCATION	
ENGINEER	
ARCHITECT	
CONTRACTOR	