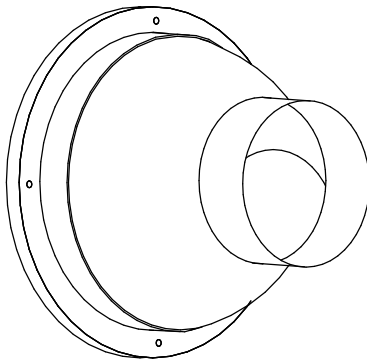
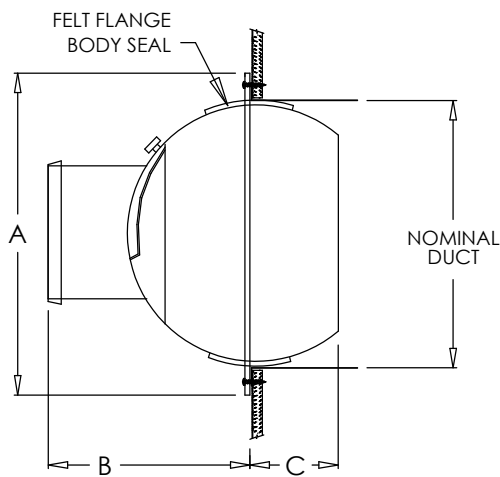
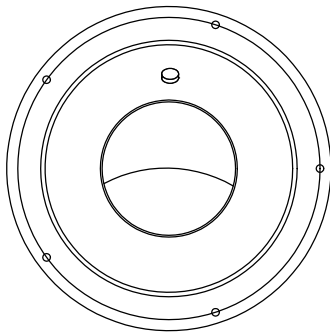


### 1202 Series Aluminum Round Spot Diffuser



1202



1202

#### Standard:

- Solid aluminum rotatable body
- Excellent for spot heating and cooling difficult areas
- Can move conditioned air from an inaccessible place to the work environment
- Precision adjustable aluminum air flow exit plate
- Double felt flange body seal to prevent air leakage
- Closed cell neoprene felt mounting gasket
- Easy adjustment of air flow by turn of a knob
- Maximum rotation angle up to 33° to 42° in all directions
- Corrosion resistant anodized finish

'1202' Dimensions Listed in Inches

Size	A	B	C
4"	4 11/32"	2 3/32"	15/16"
6"	6 5/16"	3 11/16"	1 1/2"
8"	8 3/16"	4 23/32"	1 23/32"
10"	11 1/32"	6 27/32"	1 31/32"
12"	12 17/32"	7 7/8"	2 15/32"
16"	16 23/32"	9 3/4"	3 5/8"
18"	19 1/8"	11 5/8"	3 3/4"
20"	19 1/8"	11 5/8"	3 3/4"

PROJECT

SUBMITTAL REVIEW

LOCATION

ENGINEER

ARCHITECT

CONTRACTOR