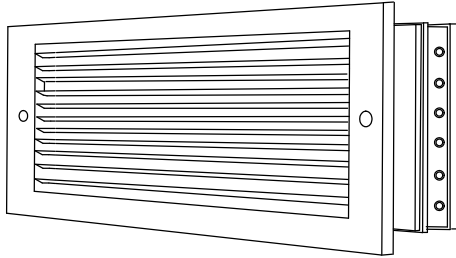


935 F/B Series Horizontal Fixed Blade


Standard:

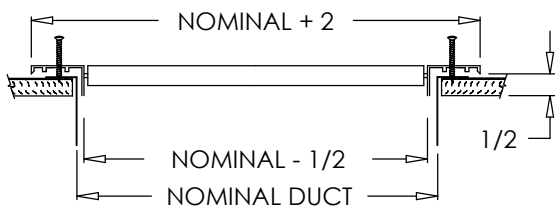
- Steel bar style surface mount diffuser
- Fixed steel blades at 45° parallel to longest dimension
- Countersunk mounting holes for flush appearance with color matching Phillips posi-drive screws
- Soft White
- Available in even sizes up to 30 x 20"

Optional:

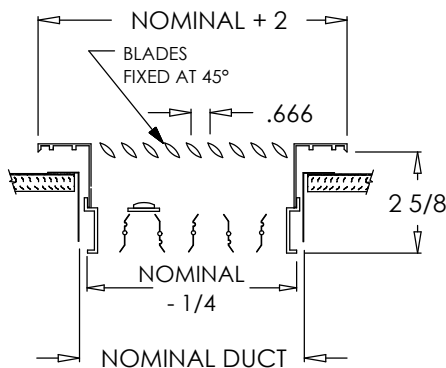
- Recessed screwdriver operated Opposed Blade Damper (935 O)

Tamper proof screws

- "E" One Way
- "F" Torx Center Pin
- "G" Hex Center Pin



935



935-O

PROJECT	SUBMITTAL REVIEW
LOCATION	
ENGINEER	
ARCHITECT	
CONTRACTOR	