

4901 Series Round Aluminum Air Louver

Standard:

- Lightweight Aluminum vent louver
- Able to withstand wet and corrosive environments.
- Spring clip mounting
- Easily installed using only a high grade silicon caulk.
- Satin Anodized finish

Optional:

Insect Screen (4901 IS)

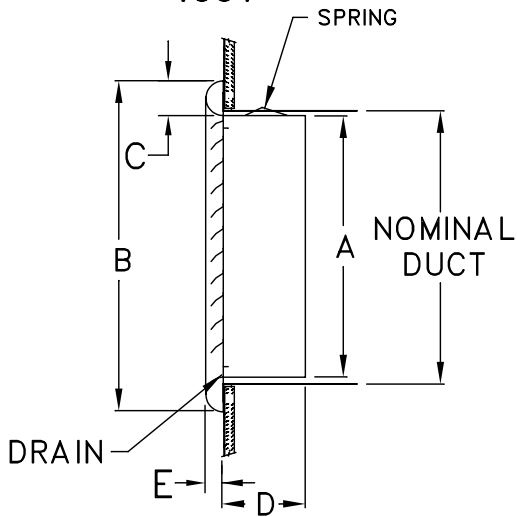
Finishes:

Soft White
 Driftwood Tan

Optional Colors:

Green Coffee Tan
 Camaro Silver Almond
 Bronze Black
 Blue Vanilla

4901



4901

'4901' Dimensions Listed in Inches

Size	Free Area	A	B	C	D	E
3	.02 Sq Ft	2 29/32	4 13/16	19/32	1 3/8	9/32
4	.04 Sq Ft	3 13/16	5 13/16	19/32	1 21/32	9/32
5	.05 Sq Ft	4 3/4	6 13/16	19/32	1 25/32	9/32
6	.08 Sq Ft	5 23/32	8	26/32	2 3/4	9/32
7	.11 Sq Ft	6 11/16	8 13/16	26/32	2 3/4	9/32
8	.14 Sq Ft	7 11/16	10	26/32	2 31/32	9/32

PROJECT

SUBMITTAL REVIEW

LOCATION

ENGINEER

ARCHITECT

CONTRACTOR