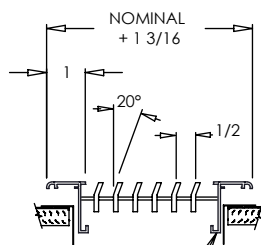
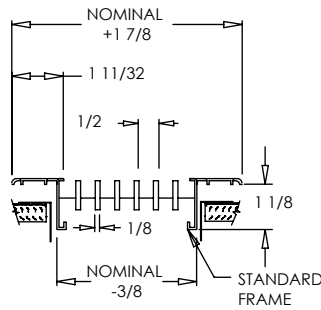

LSW Series
 LSW 1/2 0°, LSW 1/2 20°

Standard:

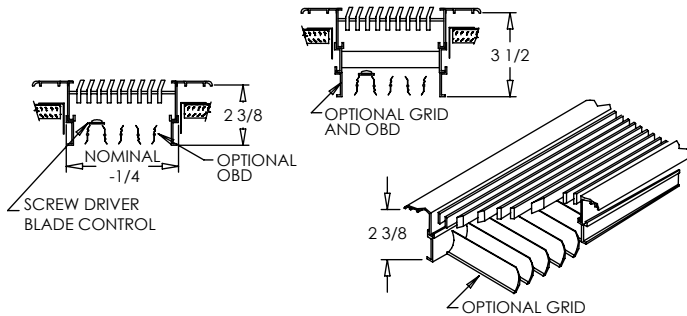
- All extruded aluminum construction
- Sidewall application
- Countersunk mounting holes for flush appearance with color matching Phillips Posi-drive screws
- Satin anodized finish standard
- Core blades run parallel to longest dimension
- Available in lengths of 144" in one piece (This may vary for shipping considerations)
- Standard frame width 1 11/32"

Optional:

- Recessed screwdriver operated Opposed Blade Damper for air volume control and positive balance of system
- All extruded aluminum air deflection grid with individually adjustable curved blade deflection
- Gym grade with welded blades and frame and extra blade supports (LSW-GG)
- Butt joints for continuous look
- Core only (Linear Core)


 OPTIONAL FRAME Y
 LSW 1/2 20°


LSW 1/2 0°

OBD & GRID OPTIONS

Finishes:

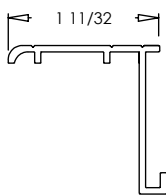
- Driftwood Tan
- Soft White
- Designer Color _____
- Bronze Finish

Blade Options:

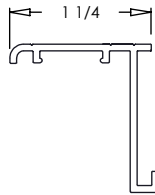
- 1/2" 0°
- 1/2" 20°

Frame Widths:

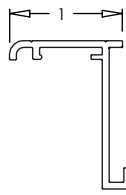
- Option X = 1 1/4"
- Option Y = 1"



Standard Frame



Frame Option X



Frame Option Y

PROJECT	SUBMITTAL REVIEW
LOCATION	
ENGINEER	
ARCHITECT	
CONTRACTOR	