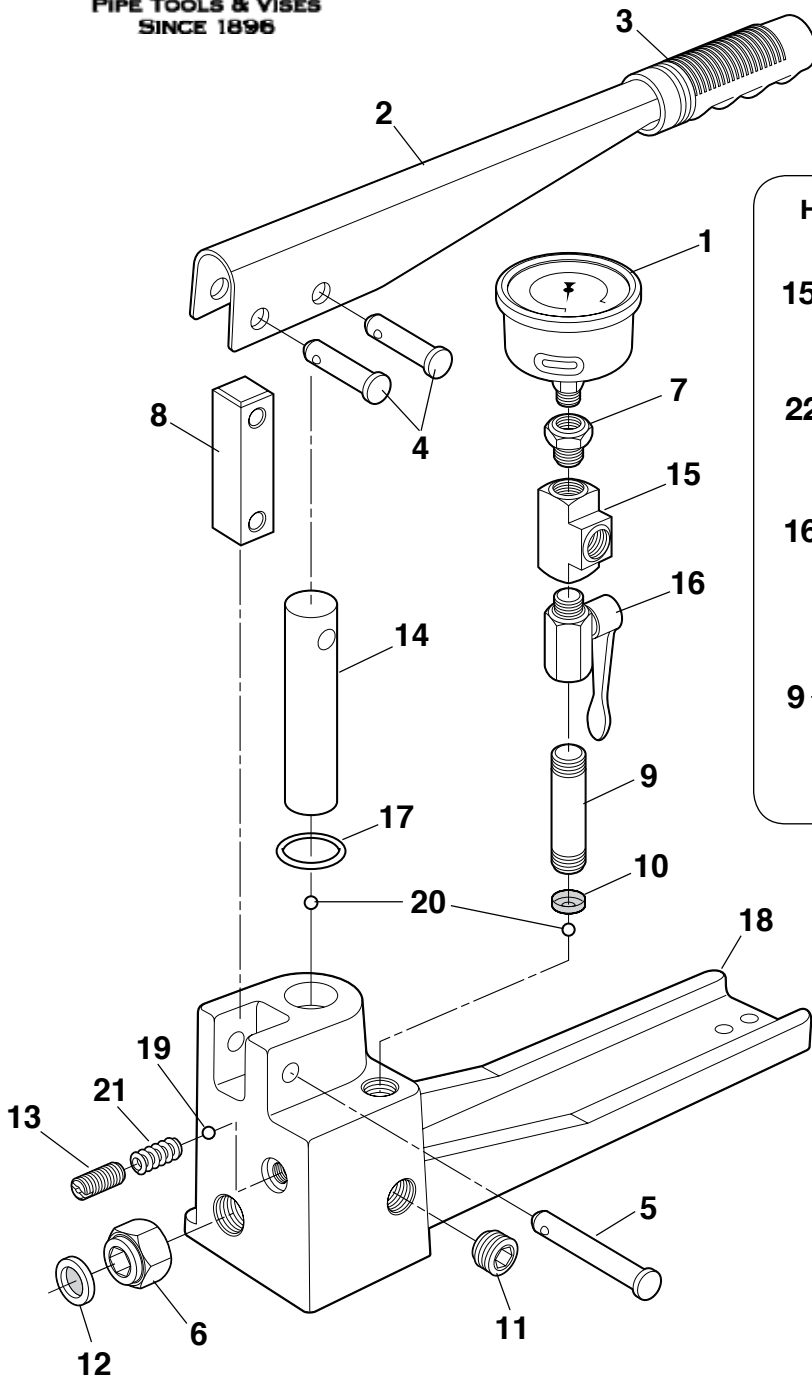




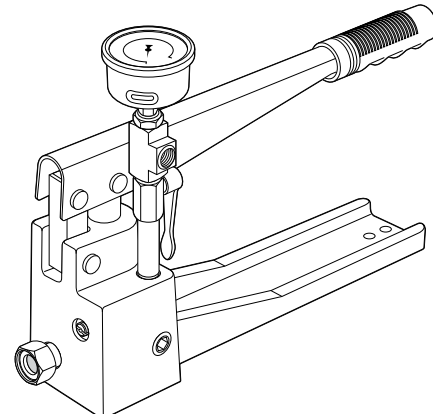
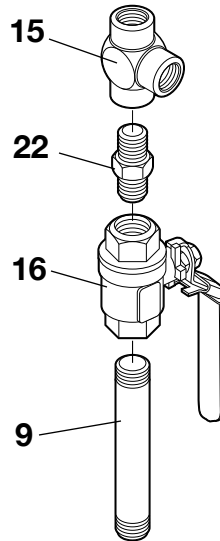
PIPE TOOLS & VISES  
SINCE 1896

# Hydrostatic Test Pump

## Replacement Parts



### HTP1000 Parts



**HTP300\***  
**Item Code #08150**

**HTP1000\***  
**Item Code #08160**

### Parts List

Ref. No.	Description	Item Code		Qty. Used
		HTP300	HTP1000	
1	Gauge	48160	48169	1
2	Handle	98151	98151	1
3	Grip	48152	48152	1
4	Clevis Pin 1"	38152	38152	2
5	Clevis Pin 2"	38151	38151	1
6	Swivel Fitting	48155	48155	1
7	Reducer	48164	48171	1
8	Pivot Block	98153	98153	1
9	Nipple	48156	48167	1
10	Retainer	38166	38166	1
11	Plug	48163	48163	1
12	Strainer	48158	48158	1
13	Relief Screw	48157	48157	1
14	Piston	98154	98154	1
15	Tee	48165	48168	1
16	Valve	48170	48174	1
17	O-Ring	48153	48153	1
18	Body	98150	98150	1
19	Check Ball 5/16"	30127	30127	1
20	Check Ball 3/8"	28152	28152	2
21	Spring	48154	48154	1
22	1,000 PSI Nipple	—	48175	1

\*Optional hoses make for faster work

Input Hose	10'	#08152
Output Hose	10'	#08154

Reed Manufacturing Company  
1425 West 8th Street  
Erie, PA 16502 U.S.A.

**QUALITY**  
**& Service**  
that Last a Lifetime

Phone: 800-666-3691 or 814-452-3691  
Fax: 800-456-1697 or 814-455-1697  
www.reedmfgco.com

RP-1009-54