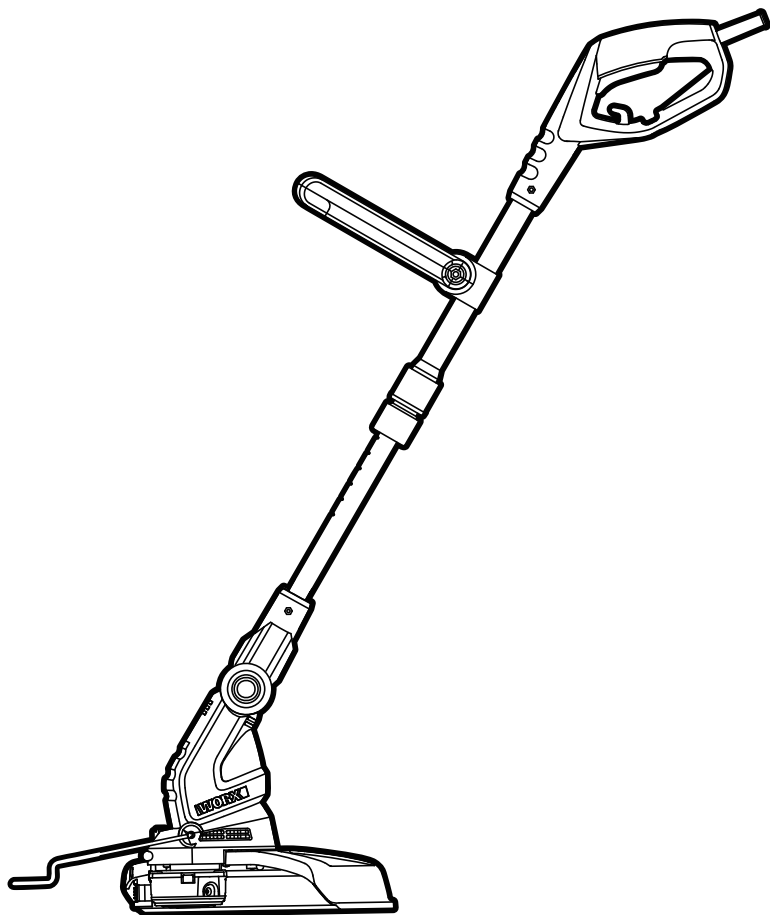


WORX®

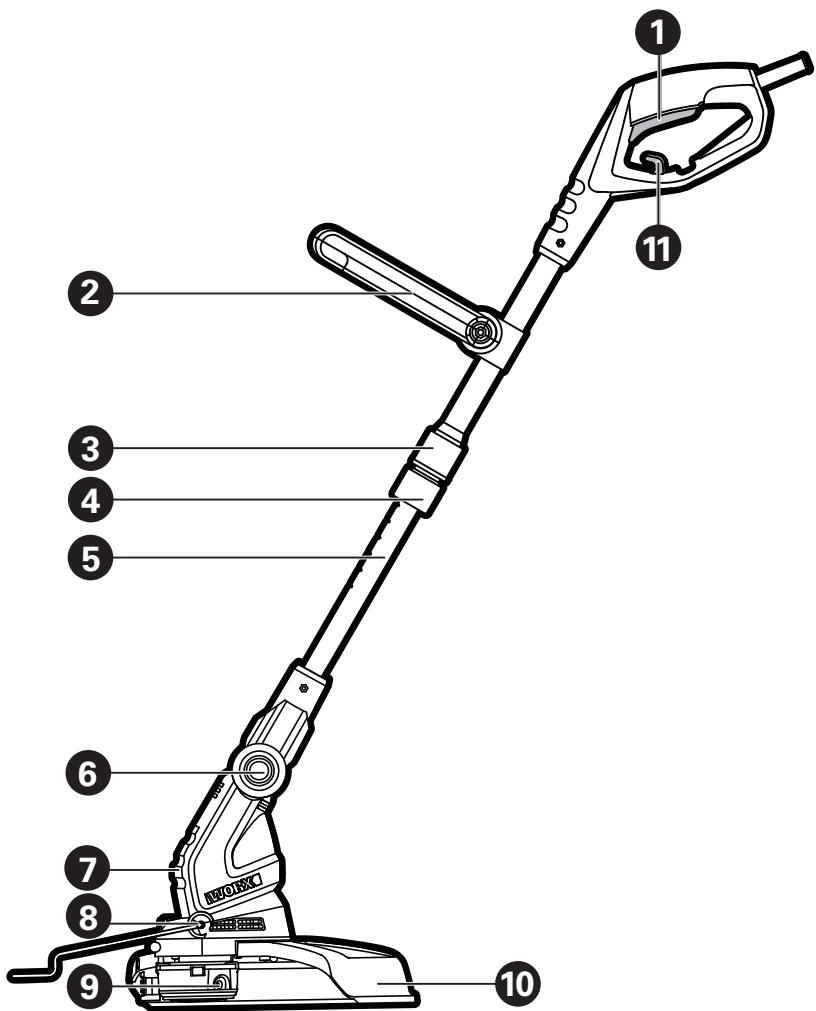


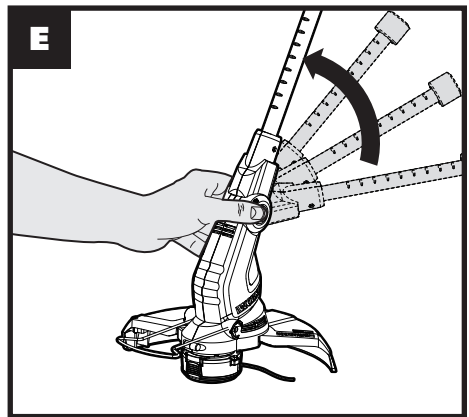
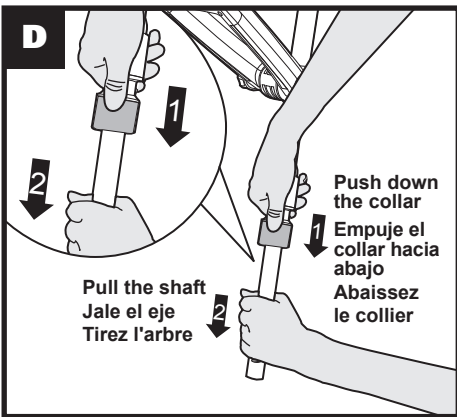
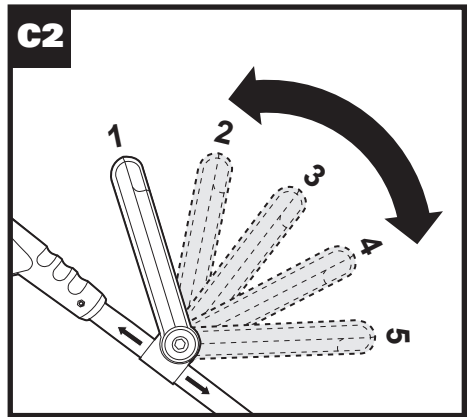
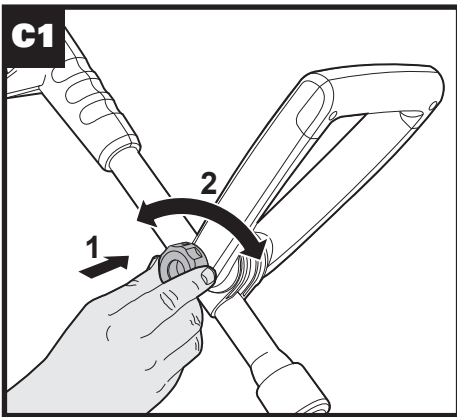
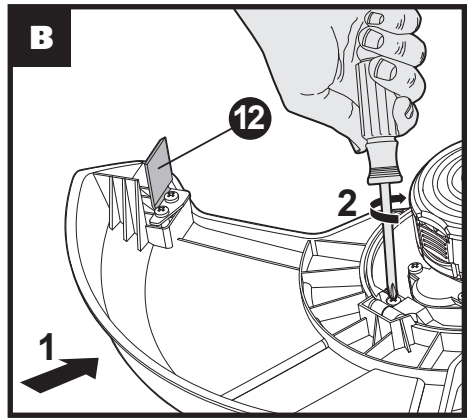
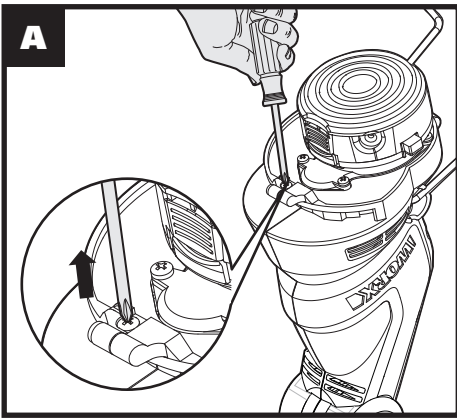
| | | |
|--|-----------|------------|
| 5.5A Electric Grass Trimmer/Edger | EN | P08 |
| Taille-bordure/Coupe-bordure électrique de 5.5A | F | P15 |
| Recortadora/Bordeadora eléctrica de 5.5A | ES | P23 |

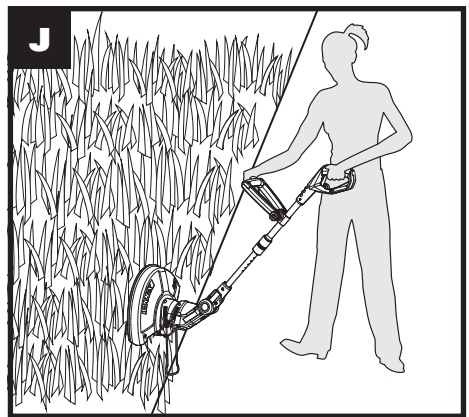
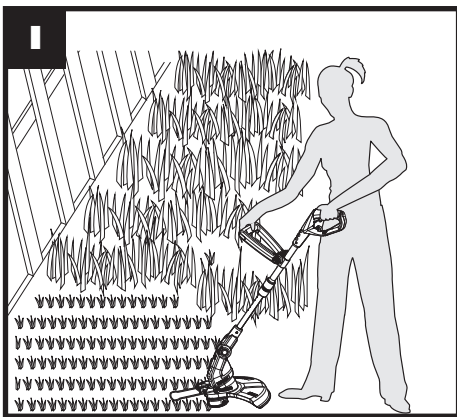
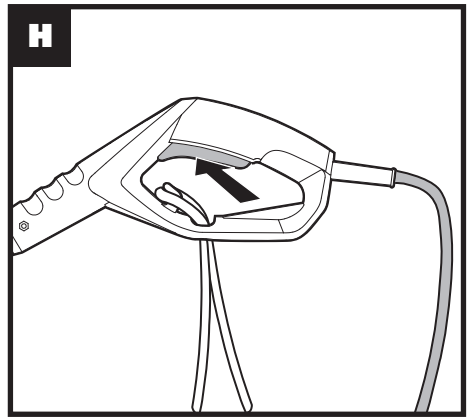
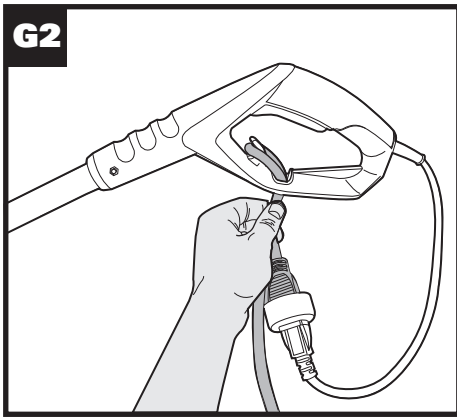
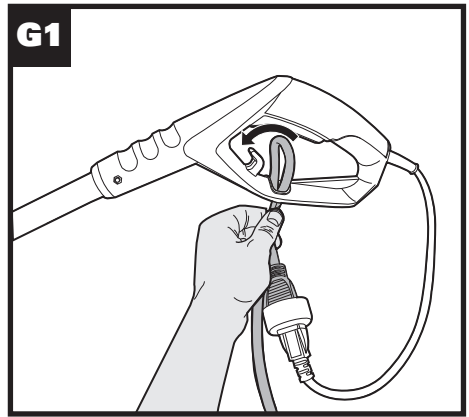
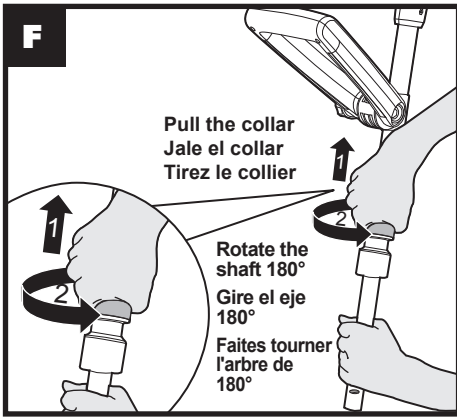


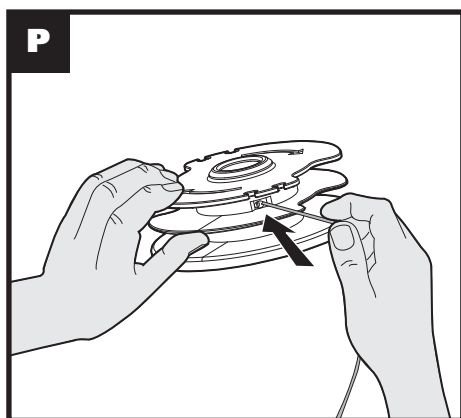
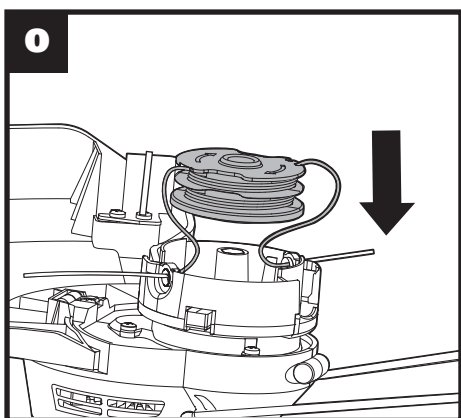
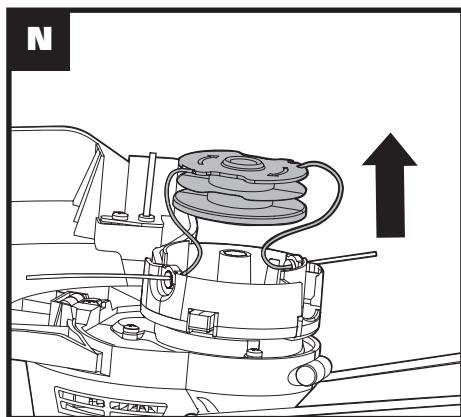
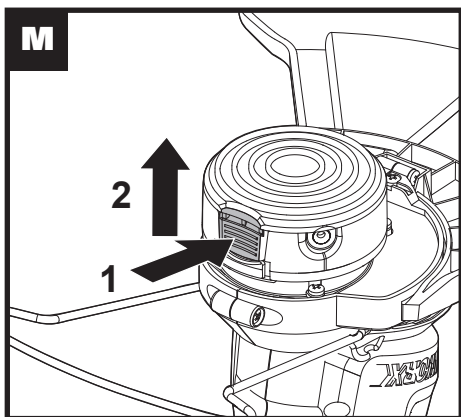
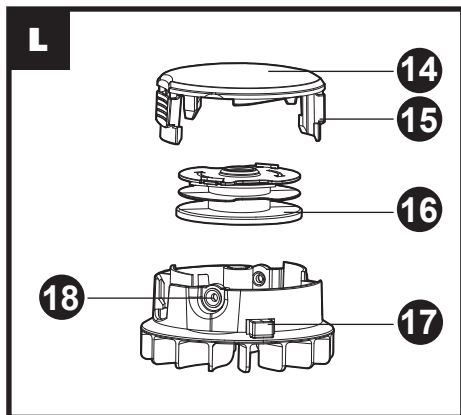
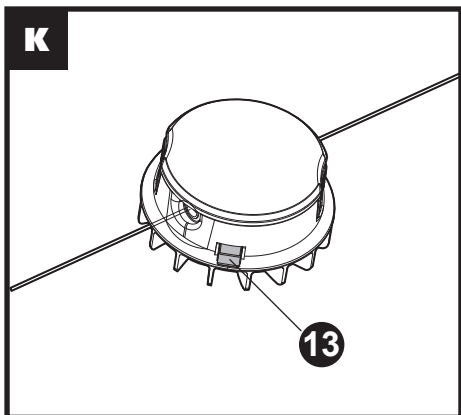
HELPLINE NUMBER
NUMERO DU SERVICE D'ASSISTANCE
NUMERO DE LINEA DE AYUDA
1-866-354-WORX (9679)

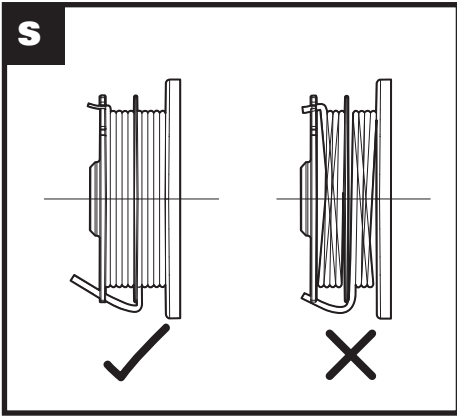
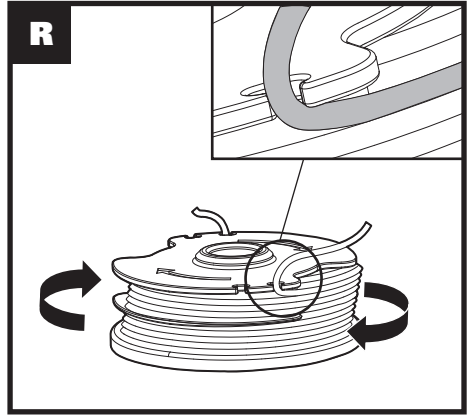
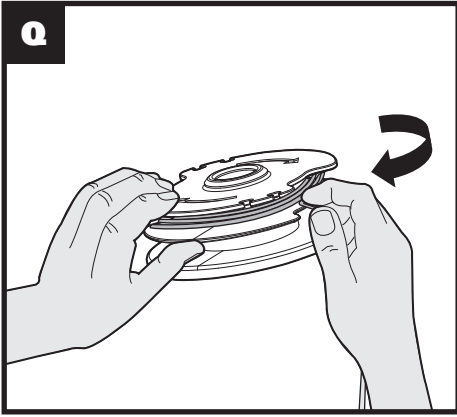
WG119












IMPORTANT SAFETY INSTRUCTIONS

 **WARNING!** When using electric gardening appliances, basic safety precautions should always be followed to reduce the risk of fire, electric shock, and personal injury, including the following:

WARNING: Read all instructions
WARNING: This product can expose you to chemicals including lead, phthalate or bisphenol A which are known to the State of California to cause cancer, birth defects or other reproductive harm.
Wash your hands after use. For more information go to www.P65Warnings.ca.gov.

1. FOR ALL DOUBLE- INSULATED APPLIANCES

- a) Replacement parts.** When servicing use only identical replacement parts.
- b) Polarized appliance connections.**
To reduce the risk of electric shock, this appliance has a polarized plug (one blade is wider than the other) and will require the use of a polarized extension cord. The appliance plug will fit into a polarized extension cord only one way. If the plug does not fit fully into the extension cord, reverse the plug. If the plug still does not fit, obtain a correct polarized extension cord. A polarized extension cord will require the use of a polarized wall outlet. This plug will fit into the polarized wall outlet only one way. If the plug does not fit fully into the wall outlet, reverse the plug. If the plug still does not fit, contact a qualified electrician to install the proper wall outlet. Do not change the equipment plug, extension cord receptacle, or extension cord plug in any way.

SAVE THESE INSTRUCTIONS

2. FOR ALL APPLIANCES

- a) Avoid dangerous environment.** Don't use appliances in damp or wet locations.
- b) Don't use in rain.**
- c) Keep children away.** All visitors should be kept at a distance from work area.
- d) Dress properly.** Do not wear loose clothing or jewelry. They can be caught in moving parts. Use of protective gloves and substantial footwear is recommended when

working outdoors. Wear protective hair covering to contain long hair.

- e) Use safety glasses.** Always use face or dust mask if operation is dusty.
- f) Use right appliance.** Do not use appliance for any job except that for which it is intended.
- g) Ground Fault Circuit Interrupter (GFCI) protection** should be provided on the circuit(s) or outlet(s) to be used for the gardening appliance. Receptacles are available having built-in GFCI protection and may be used for an added measure of safety.
- h) WARNING!** To reduce the risk of electric shock, use only with an extension cord intended for outdoor use, such as an extension cord of cord type SW-A, SOW-A, STW-A, STOW-A, SJW-A, SJOW-A, SJTW-A. or SJTOW-A.
- i) Extension cord!** Make sure your extension cord is in good condition. When using an extension cord, be sure to use one heavy enough to carry the current your product will draw. An undersized extension cord will cause a drop in line voltage resulting in loss of power and overheating. Table 1 shows the correct size to use depending on cord length and nameplate ampere rating. If in doubt, use the next heavier gage. The smaller the gage number, the heavier the cord. To reduce the risk of disconnection of appliance cord from the extension cord during operating:
- Make a knot as shown in Figure 1
 - Use one of the plug-receptacle retaining straps or connectors described in this manual.
- j) Avoid unintentional starting.** Don't carry plugged-in appliance with finger on switch. Be sure switch is off when plugging in.
- k) Don't abuse cord.** Never carry appliance by cord or yank it to disconnect from receptacle. Keep cord from heat, oil, and sharp edges.
- l) Don't grasp the exposed cutting blades or cutting edges when picking up or holding the appliance.**
- m) Don't force appliance.** It will do the job better and with less risk of injury at the rate for which it was designed.
- n) Don't overreach.** Keep proper footing and balance at all times.
- o) Stay alert.** Watch what you are doing. Use common sense. Do not operate appliance when you are tired.

p) Disconnect appliance. Disconnect the appliance from the power supply when not in use, before servicing, when changing accessories such as blades, and the like.

q) Store idle appliances indoors. When not in use, appliances should be stored indoors in dry, and high or locked-up place, out of reach of children.

r) Maintain appliance with care. Keep cutting edge sharp and clean for best performance and to reduce the risk of injury. Follow instructions for lubricating and changing accessories. Inspect appliance cord periodically, and if damaged, have it repaired by an authorized service facility. Inspect extension cords periodically and replace if damaged. Keep handles dry, clean, and free from oil and grease.

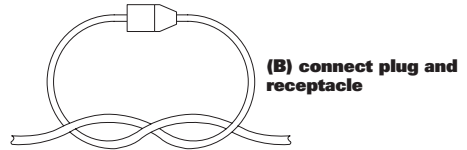
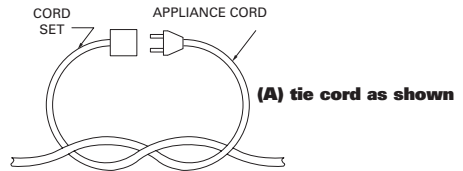
s) Check damaged parts. Before further use of the appliance, a guard or other part that is damaged should be carefully checked to determine that it will operate properly and perform its intended function. Check for alignment of moving parts, binding of moving parts, breakage of parts, mounting, and any other condition that may affect its operation. A guard or other part that is damaged should be properly repaired or replaced by an authorized service center unless indicated elsewhere in this manual.

SAVE THESE INSTRUCTIONS

Table 1 Minimum gauge for extension cords

| Volts | Total length of cord in feet | | | |
|---|------------------------------|-----|-----------------|-----|
| | 25 | 50 | 100 | 150 |
| 120V | 25 | 50 | 100 | 150 |
| 240V | 50 | 100 | 200 | 300 |
| Ampere Rating More than Not more than | AWG | | | |
| | 0-6 | 18 | 16 | 16 |
| 6-10 | 18 | 16 | 14 | 12 |
| 10-12 | 16 | 16 | 14 | 12 |
| 12-16 | 14 | 12 | Not recommended | |

Figure 1 Method of securing extension cord



3. EDGER-TRIMMERS

a) Keep guards in place and in working order.

b) Keep blades sharp.

c) Keep hands and feet away from cutting area.

4. Save these instructions. Refer to them frequently and use them to instruct others who may use this tool. If someone borrows this tool, make sure they have these instructions.

ADDITIONAL SAFETY RULES FOR LAWN TRIMMER AND EDGE TRIMMER

1. Keep guards in place and in working order.
2. Do not use this product without the guard being fitted.
3. Keep hands and feet away from cutting area.
4. Do not use heavier lines than recommended in this manual.
5. Do not use line materials of other types – for example, metal wire, rope, and the like.

SAVE THESE INSTRUCTIONS

SYMBOLS



Warning



Read the manual



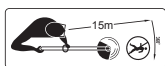
Wear eye protection



Wear ear protection



To avoid possibility of electric shock, do not use in damp or wet conditions



Keep all other people, including children, pets and bystanders outside the 15 meters hazard zone, stop the trimmer immediately if you are approached.



Switch off! Remove plug from mains before adjusting, cleaning or if cable is entangled or damaged.



Double insulation

1. TRIGGER SWITCH

2. AUXILIARY HANDLE

3. HANDLE ROTATION LOCKING MECHANISM

4. HEIGHT ADJUSTMENT LOCKING MECHANISM

5. TELESCOPE TUBE

6. CUTTING HEAD ADJUSTMENT BUTTON

7. MOTOR HOUSING

8. FLOWER GUARD

9. CUTTING HEAD ASSEMBLY

10. SAFETY GUARD

11. CABLE STRAIN RELIEF ARM

12. LINE CUTTER (See Fig. B)

13. LINE FEED BUTTON (See Fig. K)

14. CUTTING HEAD COVER (See Fig. L)

15. CAP RELEASE LATCH (See Fig. L)


16. SPOOL (See Fig. L)

17. CUTTING HEAD (See Fig. L)

18. EYELET (See Fig. L)

Not all the accessories illustrated or described are included in standard delivery.

TECHNICAL DATA

| | |
|-----------------------|---|
| Rated voltage | 120V ~ 60Hz |
| Rated current | 5.5A |
| No load speed | 7500/min |
| Max. cutting diameter | 15" |
| Diameter of line | 0.065" (1.65mm) |
| Line length | 2x16' (2x5m) |
| Weight | 6.0lbs (2.7kg) |
| Protection class |  |

ACCESSORIES

| | |
|------------------|---|
| Flower guard | 1 |
| Auxiliary handle | 1 |
| Safety guard | 1 |
| Spool (WA0007) | 1 |

We recommend that you purchase your accessories from the same store that sold you the tool. Use good quality accessories marked with a well-known brand name. Choose the type according to the work you intend to undertake. Refer to the accessory packaging for further details. Store personnel can assist you and offer advice.

OPERATING INSTRUCTIONS



NOTE: Before using the tool, read the instruction book carefully.

ASSEMBLY / ADJUSTMENT



NOTE: THE GUARD MUST BE ATTACHED to the trimmer head before use.

1. INSTALLING THE SAFETY GUARD (See Fig. A, B)

1) Disconnect the trimmer from the power supply.



WARNING: To avoid injury, ALWAYS turn off and disconnect the trimmer from the power outlet BEFORE installing parts or cleaning the trimmer or making any adjustments.

2) Remove a screw from the guard; attach the safety guard to the trimmer head. Align the guard so it slides into the slots located on the trimmer head. Turn the tool over and secure the safety guard onto the trimmer head with the screw provided.



CAUTION: Line cutter on edge of safety guard is sharp. Use caution when handling.

2. FITTING THE AUXILIARY HANDLE (See Fig. C1)

NOTE: THE AUXILIARY HANDLE MUST BE ATTACHED to the trimmer shaft before use.



WARNING: To avoid injury, ALWAYS turn off and disconnect the trimmer from the power outlet BEFORE installing parts or cleaning the trimmer or making any adjustments.

- 1) Disconnect the trimmer from the power supply.
- 2) Unscrew the auxiliary handle's tightening knob (counterclockwise) and remove from handle.
- 3) Position auxiliary handle onto handle bracket assembly located on trimmer's top-shaft (See Fig. C1).
- 4) Position the knob and screw through the auxiliary handle and bracket, and tighten knob (turn clockwise). (See Fig. C1) Do not tighten completely until you have adjusted

the auxiliary handle to your desired working position.

3. ADJUSTING AUXILIARY HANDLE

(See Fig. C2)

- 1) The auxiliary handle's bracket can be moved up or down on the shaft and the auxiliary handle itself can be moved forward or backward into 5 different locked positions (See Fig.C2).
- 2) When the handle is in desired position, turn knob and tighten securely.

4. ADJUST THE HEIGHT (See Fig. D)


- 1) Disconnect the trimmer from the power supply.
- 2) To adjust the shaft height, hold the upper shaft as shown in Fig D, push the bottom collar with your thumb, then pull the lower shaft with your other hand to the desired height . Release your hands to lock the shaft into place.

5. ADJUST THE CUTTING ANGLE

(See Fig. E)


Your trimmer has a 4-position tilting head that easily adjusts to the desired working angle for optimum operator control and comfort. To adjust the trimmer head angle:

- 1) Disconnect the trimmer from the power supply.

 **WARNING: To avoid injury, ALWAYS turn off and disconnect the trimmer from the power outlet BEFORE installing parts or cleaning the trimmer or making any adjustments.**

- 2) Press the trimmer head adjustment button on the motor housing (See Fig. E).
- 3) Move the trimmer head to one of four different angles and release the button.


Head will click into position. Easily readjust the angle to a more comfortable or efficient position as needed.

 **WARNING: BEFORE connecting your trimmer to the power outlet, BE SURE you are not pressing in on the trigger switch. Failure to do so could result in accidental start-up, which may cause serious personal injury.**

6. ROTATE REAR HANDLE AND UPPER SHAFT 180° (See Fig. F)

- 1) Disconnect the trimmer from the power supply.
- 2) To rotate the upper shaft 180°, hold the lower shaft as shown in Fig F, pull the top collar with your other hand, then rotate the upper shaft 180°. Release your hands to lock the shaft into place.

7. SELECT AN EXTENSION CORD

 **WARNING!** Use only a voltage supply as specified on your unit.

| Extension Cord Gauge Cord | |
|---------------------------|----------|
| Length of Cord | Gauge |
| 25 Ft. (7.5m) | 18 Gauge |
| 50 Ft. (15m) | 16 Gauge |
| 100 Ft. (30m) | 16 Gauge |

Extension cords are available for this unit.

8. PIGTAIL POWER CORD


(See Fig. G1, G2)

Your trimmer/edger has a 12-inch pigtail power cord. This cord must be attached to a proper extension cord. Make a loop in the extension cord. Push loop through hole in the handle (See Fig. G1). Fasten loop around cord retention hook. Plug trimmer's power cord into extension cord plug (See Fig. G2).


OPERATION INSTRUCTIONS

1. ON/OFF TRIGGER (See Fig. H)


Press and hold the trigger to operate the trimmer. Release to stop


 **WARNING:** The cutting head continues to rotate after the trimmer has been switched off. Wait until it stops before laying the trimmer down.

2. OPERATION

 **WARNING: Always wear eye protection and heavy clothing to prevent rocks and debris from hitting you and causing an eye injury or other serious injuries. Use two hands to**

operate the trimmer and hold the unit below waist level. To best ensure that debris is thrown away from your body, work only from the right to left. For optimal trimming and edging results while maintaining comfort, keep the trimmer head parallel to the ground when trimming (perpendicular, when edging). When trimming be sure to keep sufficient distance between the cutting line and the ground.

 **WARNING: Before operating, make sure both trimmer lines are extended. When trimming, make sure motor is running at full speed.**

 **WARNING:** Use only 0.065" (1.65 mm) diameter cutting line. Other line sizes will not properly feed in the trimmer head and could cause serious injury. Never use other materials such as wires, string or rope, as this may break off during cutting and cause serious injury.

1) TRIMMING (See Fig. I)

Hold the bottom of the trimmer head about 8 cm above the ground and at an angle. Allow only the tip of line to make contact. Do not force trimmer line into work area.

2) EDGING (See Fig. J)

To edge, rotate the shaft 180°. Place trimmer head above the surface you are going to edge, as shown in Fig. J.

While edging, allow the tip of the line to make contact. Do not force the line. Take extra caution while edging as objects can be thrown from the trimmer line.

3. AUTOMATIC LINE FEED SYSTEM

When initially switching on the trimmer, a small length of line is fed out.

A 'clattering' noise will be heard for a short time. This is normal and is caused by the line being cut by the line cutter. Once the line is cut to the correct length, the 'clattering' noise will stop and the trimmer motor will run at full speed.

To feed more line, stop the trimmer completely, then restart, allowing the motor to reach full speed. Repeat this until you hear the 'clattering' noise of the line cutting. (Do not repeat this procedure more than 6 times)

4. MANUALLY FEEDING THE LINE (See Fig. K, L)

Press and release manual line feed button (13), whilst gently pull out the lines until the lines reaches the line cutter.

When the required amount of line is fed out, gently pull on the second line (there is no need to press the manual line feed button again). If the line extends past the line cutter, too much line has been fed out.


If too much line is fed out, remove the spool cap and click the spool anti-clockwise until the line is at the desired length.

Removing the Cap (See Fig. M, N)

Press and hold in the two latches (15). Pull cap away from the spool holder. Keep the cap and spool holder clean from debris. To replace the cap, press it firmly towards the spool holder. Ensure that it is correctly connected by trying to remove it without depressing the two latches.

Changing the Line Spool

First take off the cap and remove the old spool. Place new spool into cutting head. Feed one line through the eyelet, then repeat for second line. (See Fig. O) Release line from cleat on the Spool. Reattach the cap.

 **WARNING! Your Trimmer is designed to only use line with a maximum diameter of 0.065". Only use nylon line. IMPORTANT - Always wind the line onto the upper section of the spool first.**

5. TO MANUALLY WIND LINE (See Fig. P, Q, R, S)

Take approximately 16ft (5m) line and insert 5/8" (15mm) of line into one of the holes in the upper section of the spool. (See Fig. P) Wind the line in the direction of the arrows on the top of the spool. (See Fig. Q, R) Leave approximately 4" (100mm) of line unwound and place it into the cleat. Repeat on the lower section of spool.

Care should be taken to ensure that the line is neatly coiled on the spool. (See Fig. S) Failure to do so will impair the efficiency of the automatic line feed.

Then fit the spool as described above in **"Changing the Line Spool"**.

MAINTENANCE

After use, disconnect the machine from the mains and check for damage. Your power tool requires no additional lubrication or maintenance. There are no user serviceable parts in your power tool. Mains powered trimmers should only be repaired by an authorised repairer use only manufacturers recommended replacement parts and accessories.

Never use water or chemical cleaners to clean your power tool. Wipe clean with a dry cloth. Always store your power tool in a dry place out of the reach of children. Keep the motor ventilation slots clean. Keep all working controls free of dust. If you see some sparks flashing in the ventilation slots, this is normal and will not damage your power tool.