



bidets reimaged

Tahum Installation Manual

Need Installation Support?

- A. Call us at 1-435-267-1496
- B. Email Us at support@troneplumbing.com
- C. Schedule a zoom call with us by scanning the QR code.



INSTALLATION PREPARATION

Before installation begins, please confirm that you have the materials indicated below:

Included



Electronic Bidet



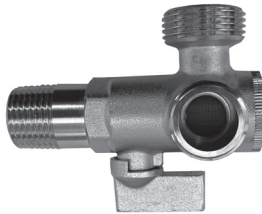
Remote Control



Installation Manual



Wax Ring



Valve Stop



Battery Back Up



Batteries



1/4" Pex Adapter



3/8" x 1/2" Supply Line



Washers

Recommended Tools



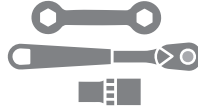
Pencil



Masking or
painters tape



Tape measure
or ruler



7/16" ratchet box
wrench or deep socket
ratchet wrench

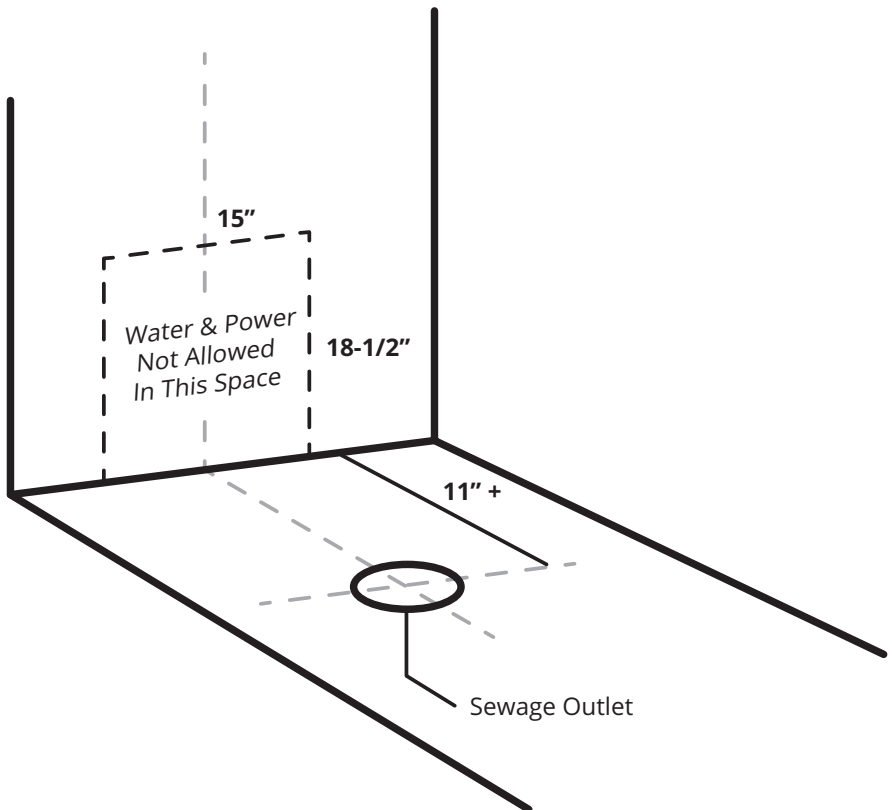


Carpenter's
square or other
straight edge

Precautions Before Installation

Please give enough allowance for the installation. Ensure that there is room enough for the opening and closing of the bathroom door. Please see diagram below for product placement measurements.

Please confirm the location of the sewage outlet and the wax ring as indicated below before installation.



Installation Requirements

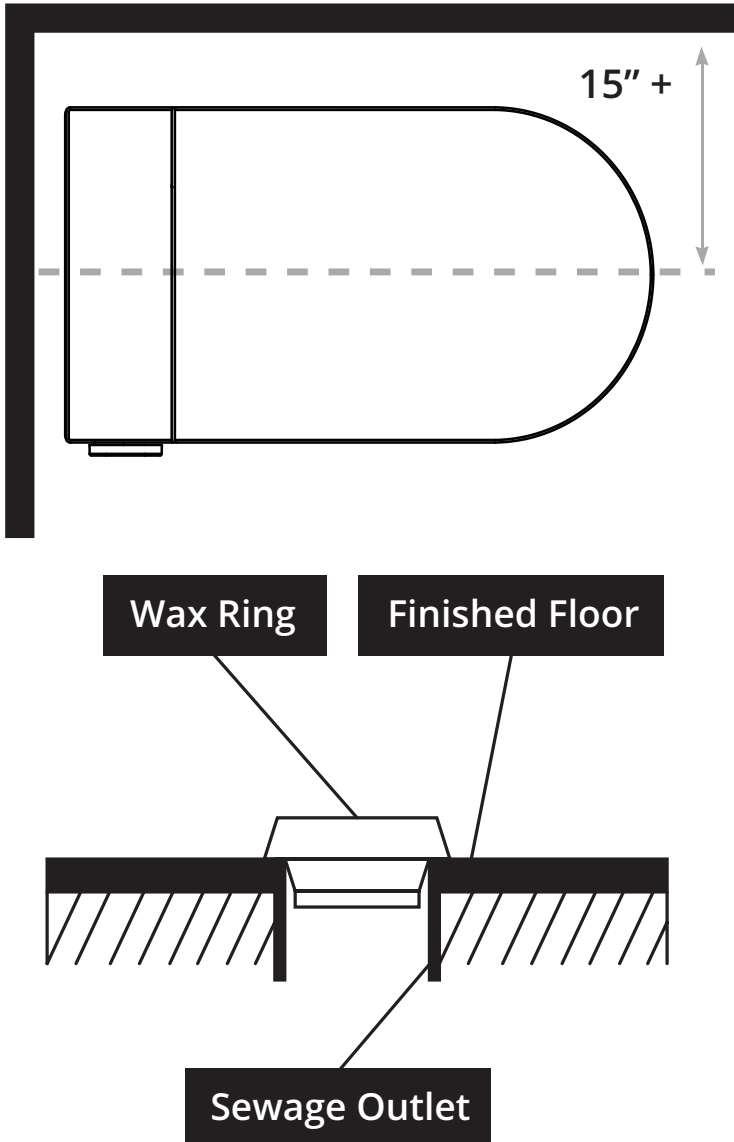
Minimum static water pressure: 40 psi

Maximum static water pressure: 80psi

Minimum water flow: More than 1.4 gallons per flush (5.28 liters)

115 V power GFCI receptacle within 4'

Installation Drawings



INSTALLING THE WATER VALVE

Note: The valve supplied with Trone toilets is not a tapered thread and will need one of the two options listed below.

Option #1: Retro fit with water supply line (easiest method)

1. Turn off toilet supply stop.
2. Remove existing 3/8" x 7/8" toilet supply tube.
3. Attach the provided 3/8" x 1/2" braided faucet water supply line.

Note: If your existing water supply valve is not 3/8" compression you will have to source a supply line that can fit on it and adapt to 1/2" NPT.

4. Attach the provided valve stop to the faucet water supply line.

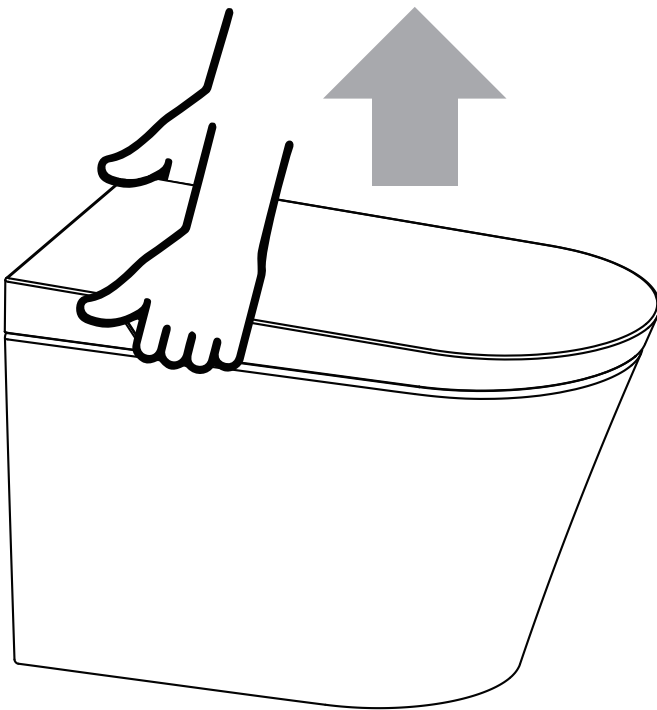
Option #2: Replumb water line supply to pex (new construction, remodels, and plumber installation. Not recommended without a professional)

1. Turn water off to the house.
2. Remove current toilet water supply valve.
3. Adapt plumbing to 1/2" pex either in the wall or outside.
4. Crimp pex swivel female adapter (provided) onto pex.
5. Attach the provided new valve.

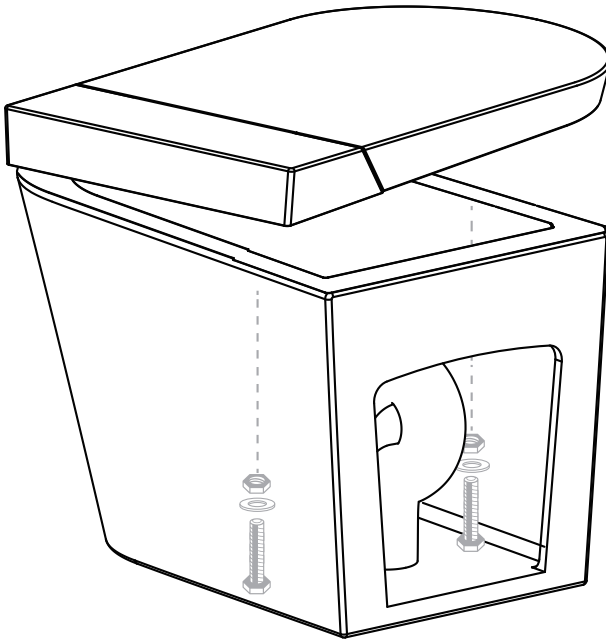
Note: For new install rough-in, 5" from finished floor and 10" left of center for ease and accessibility. It is not recommended to be placed behind the toilet.

INSTALLING THE TOILET

1. Place the wax ring over the closet flange making sure it is centered, with the flange down. Install the closet bolts.
2. Remove the electronic bidet seat by pulling upwards firmly on the back of the seat until it releases (see Figure 1 below).
3. Gently set the bidet seat across the toilet bowl and out of the way as much as possible.
4. Connect the battery backup (See page 10). It is recommended to replace the battery backup with a new battery (not included).

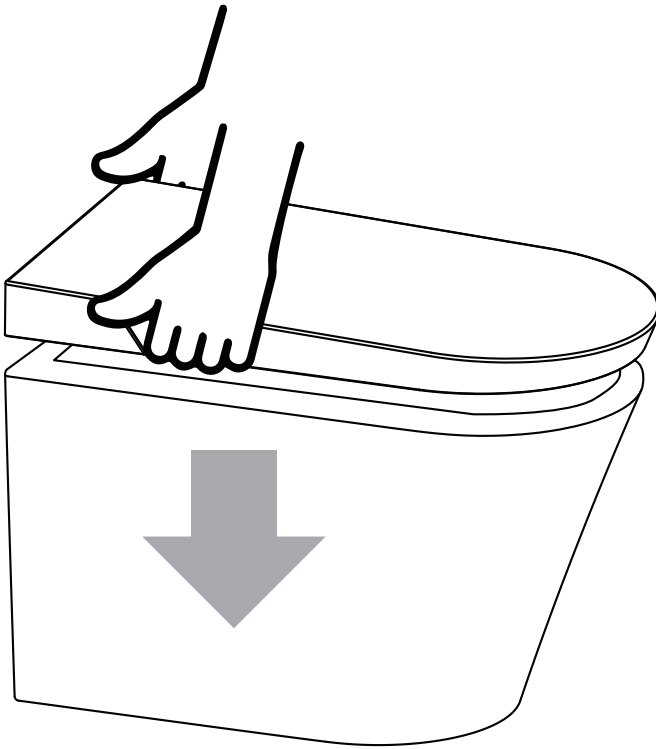


5. Remove the power cord from the back inside and set to the outside of the toilet for easy access after bolting down the toilet.
6. Lift the entire electronic toilet bidet unit and place it over the wax ring. (It is recommended to use two people to lift and set this toilet).
7. Line up the holes in the bottom of the bowl with the closet bolts previously installed in the closet flange and set the bowl gently in place (see Figure 2 below).



Note: Do not over tighten as you may crack the porcelain/base. If there is still movement once tightening is done, shims may need to be used to account for an unlevelled floor.

8. Place the included closet washers over the closet bolts and hand tighten the nuts in place.
9. Secure the bowl in place by tightening the nuts down, alternating from side to side using a ratchet wrench or similar. Note: Do not over tighten as you may crack the porcelain/base. If there is still movement once tightening is done, shims may need to be used to account for an unlevelled floor.
10. Attach the two flexible toilet flush supply lines to their proper connections on the new valve stop.

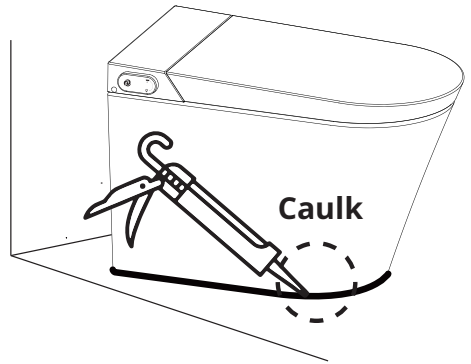
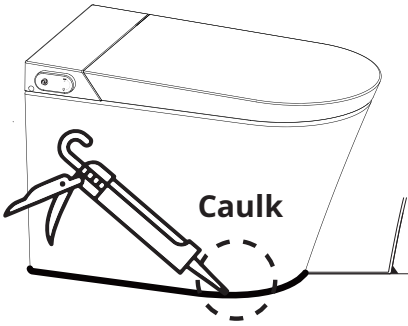


11. Replace the bidet seat by lining it up and pushing down gently on the top part of the seat.
12. Plug in the cord and reset the GFCI by pushing the larger of the two buttons on the plug.

Note: If there is power to the Electronic bidet, it will automatically run through a cleaning cycle to insure all functions are working properly.

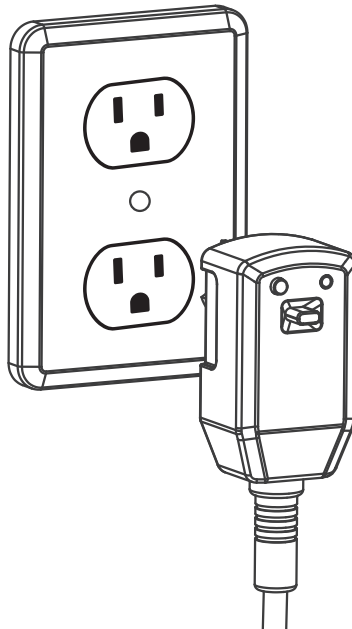
Caulk Application

Caulk the bottom edge of the toilet with a mildew-resistant caulk designed for indoor bathroom applications. This will help to keep the bowl in place and give the closet bolts added security and strength.



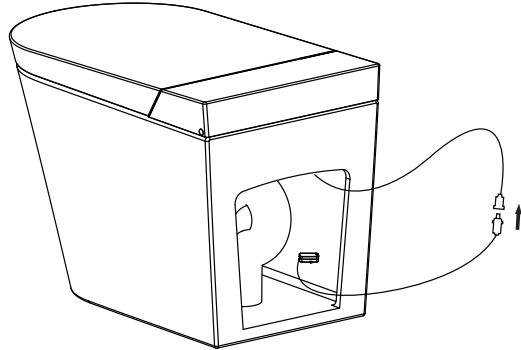
Connecting the Power Cord

Open the angle valve and connect the power cord plug to the power outlet. The power cord plug must be connected to a wall socket with a safety grounding device in AC 120V, 16A, 60Hz.



Battery Installation

1. Take the cable out as illustrated below. It is attached to the back of the product; peel it off gently.
2. Connect the waterproof DC power plug and tighten the waterproof cap.
3. Place the battery case in its position as shown below.



Remote Installation

1. Peel the protective tape of the foam tape at the back of the bracket and stick it to the selected dry tile or glass.
2. Open the back cover of the remote and place three pieces of new No. 7 alkaline batteries.
3. Place the remote on the remote bracket.
4. Installation is complete.



support@troneplumbing.com
www.troneplumbing.com