

## Pressure Balance Valve with Diverter Trim - Square

### FEATURES

- Clean & simple design trim made of durable brass
- Lever handles
- ADA Compliant
- For use with Pressure Balance Valve with Diverter model TSPVM

### COLORS/FINISHES

- #CP Polished Chrome
- #BN Brushed Nickel

### Made to Order

- #PN Polished Nickel
- #PFG Polished French Gold
- #PBR Polished Bronze
- #MBL Matte Black



### CODES/STANDARDS

- Meets or exceeds ASME A112.18.1/CSA B125.1
- Certifications: IAPMO(cUPC), State of Massachusetts, City of Los Angeles, and others
- Code compliance: UPC, IPC, NSPC, NPC Canada, and others
- ADA compliant



### PRODUCT SPECIFICATION

Pressure balance valve with diverter trim shall have two lever handles. Product shall be TOTO Model TBV02802U and required valve shall be TSPVM (sold separately).

# TBV02802U

## Pressure Balance Valve with Diverter Trim - Square

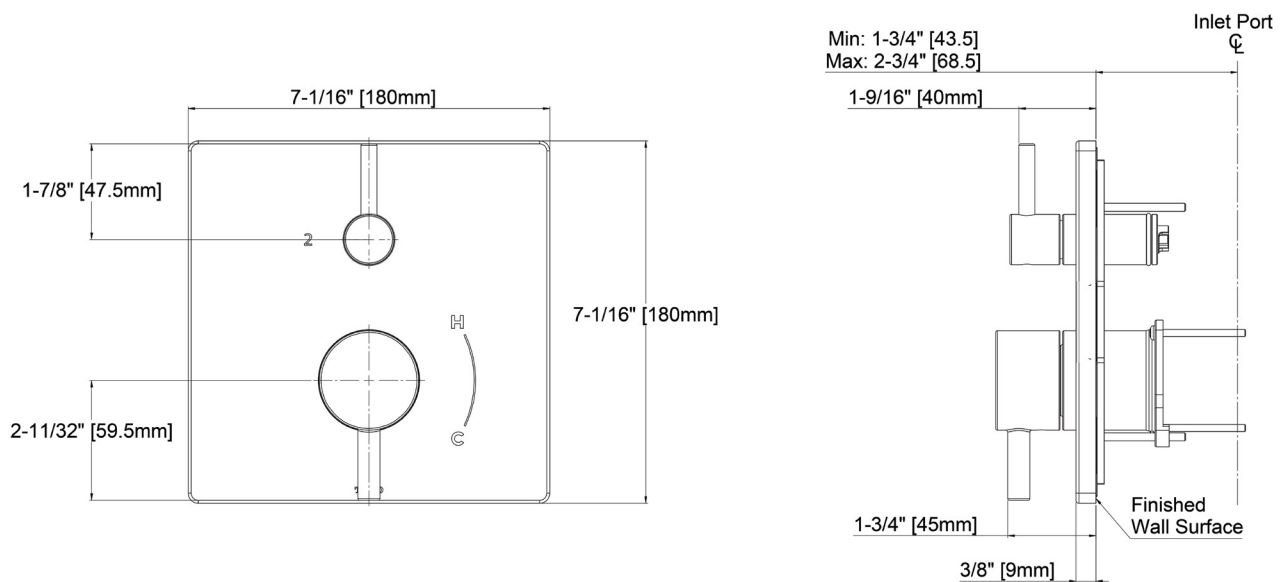
### SPECIFICATIONS

<b>Material</b>	Brass & Zinc
<b>Warranty</b>	Lifetime Limited Warranty (Residential Use) One Year (Commercial Use)
<b>Shipping Weight</b>	2.6 lbs
<b>Shipping Dimensions</b>	8.7" L x 8.7" W x 3.4" H

### INSTALLATION NOTES

VALVE REQUIRED: Pressure balance valve with diverter model TSPVM (sold separately).

### DIMENSIONS



**TOTO®**

*These dimensions and specifications are subject to change without notice*