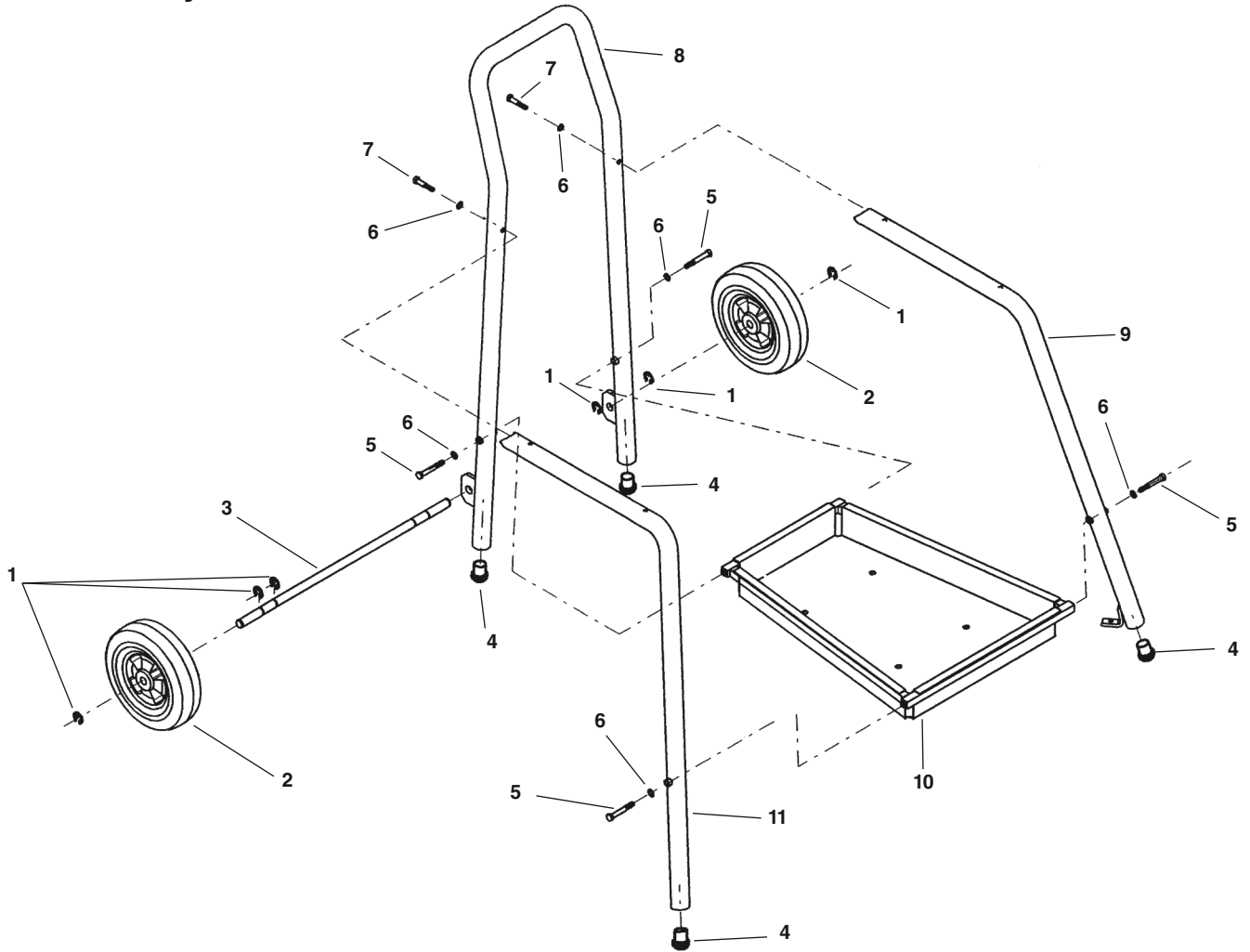


**Cart Assembly**



**NOTE: Order parts by Catalog Number only.  
DO NOT order by Reference Number.**

Ref. No.	Catalog No.	Description
	64192	Stand Complete
1	58850	Retaining Ring (6)
2	23602	Wheel, 10" Dia. (2)
3	65522	Wheel Axle
4	61470	Rubber Foot (4)
5	46675	Hex Screw $\frac{3}{8}$ " - 16 x $2\frac{3}{4}$ " (4)
6	40930	Lock Washer $\frac{3}{8}$ " (6)
7	58052	Hex Screw, $\frac{3}{8}$ " - 16 x $2\frac{1}{2}$ " (2)
8	65527	Rear Leg Support/Handle - U.S.
	61342	Rear Leg Support/Handle - Export
9	65537	Leg, Right Front - U.S.
	61347	Leg, Right Front - Export
10	65542	Tool Tray Assembly
11	65547	Leg, Left Front - U.S.
	61352	Leg, Left Front - Export