

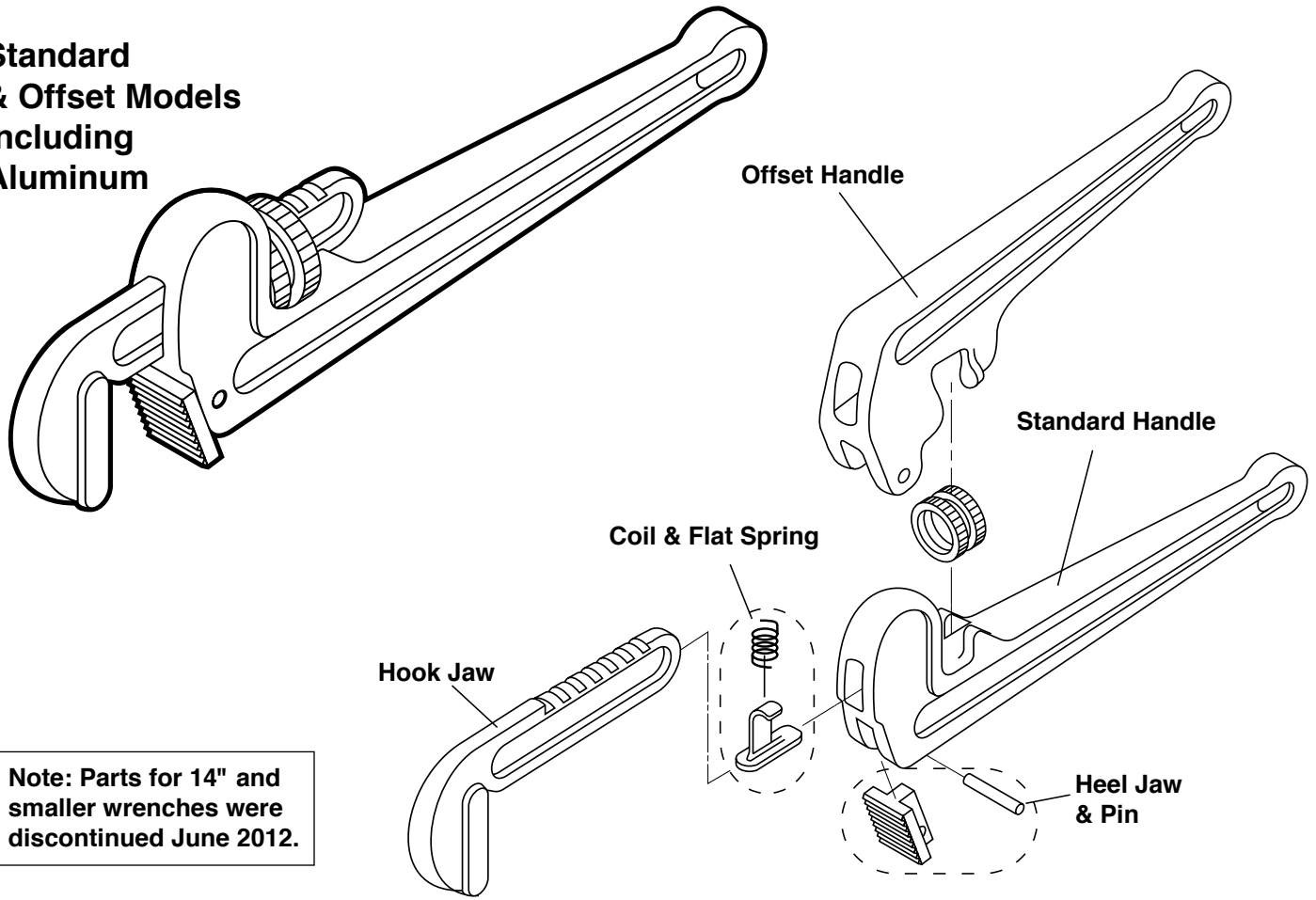


PIPE TOOLS & VISES
SINCE 1896

Pipe Wrenches (Heavy Duty)

Replacement Parts

**Standard
& Offset Models
Including
Aluminum**



Note: Parts for 14" and smaller wrenches were discontinued June 2012.

Parts List

Tool	HOOK JAW		HEEL JAW & PIN		COIL & FLAT SPRING		NUT	
	Item Code	Catalog Number	Item Code	Catalog Number	Item Code	Catalog Number	Item Code	Catalog Number
RW18	92165	RW18B	92175	RW18C	92185	RW18E	92195	RW18F
RW24	92166	RW24B	92176	RW24C	92186	RW24E	92196	RW24F
RW36	92167	RW36B	92177	RW36C	92187	RW36E	92197	RW36F
RW48	92168	RW48B	92178	RW48C	92188	RW48E	92198	RW48F
RW60	92169	RW60B	92179	RW60C	—	—	—	—
ARW18	92165	RW18B	92175	RW18C	92185	RW18E	92195	RW18F
ARW24	92166	RW24B	92176	RW24C	92186	RW24E	92196	RW24F
ARW36	92167	RW36B	92177	RW36C	92187	RW36E	92197	RW36F
ARW48	92168	RW48B	92178	RW48C	92188	RW48E	92198	RW48F
ARWO18	92200	ARWO18B	92175	RW18C	92202	ARWO18E	92195	RW18F

Reed Manufacturing Company
1425 West 8th Street
Erie, PA 16502 USA



Phone: 800-666-3691 or 814-452-3691
Fax: 800-456-1697 or 814-455-1697
www.reedmfgco.com