

FAUCET DESCRIPTION

- Metal construction with various finishes identified by suffix
- Shower Only kits include showerhead, arm, flange
- Tub/shower kits include showerhead, arm, flange and diverter spout

OPERATION

- Flow lever operates counterclockwise through a 100° arc with shut off at 6 o'clock and maximum flow at the 2 o'clock position. Shut off in clockwise direction
- Temperature lever operates through a 200° arc with maximum cold at full clockwise rotation and maximum hot at full counterclockwise rotation
- Factory established temperature range from 70°F (21°C) to 120°F (49°C)
- Adjustable temperature limit stop to control maximum hot water temperature
- Thermostatic and pressure balancing mechanism maintains selected discharge temperature to +/- 3.6°F (+/- 2°C)

FLOW

- EP suffix models contain a showerhead limited to 1.75 gpm (6.6 L/min)

CARTRIDGE

- 1214 Thermostatic and pressure balancing cartridge design with non-metallic/nonferrous materials
- Not compatible with back to back installations

STANDARDS

- Third party certified to ASME A112.18.1/CSA B-125-1, ASSE 1016/ASME A112.1016/CSA B.125.16 and all applicable requirements reference therein
- Moen's M-CORE™ thermostatic and pressure balance system is capable of meeting the pressure and temperature variation requirements of ASSE 1016/ASME A112.1016/CSA B125.16 when tested as low as 1.5 gpm (5.7 L/min)
- EP suffix models are third party certified to EPA WaterSense®
- ADA compliant for lever handle

WARRANTY

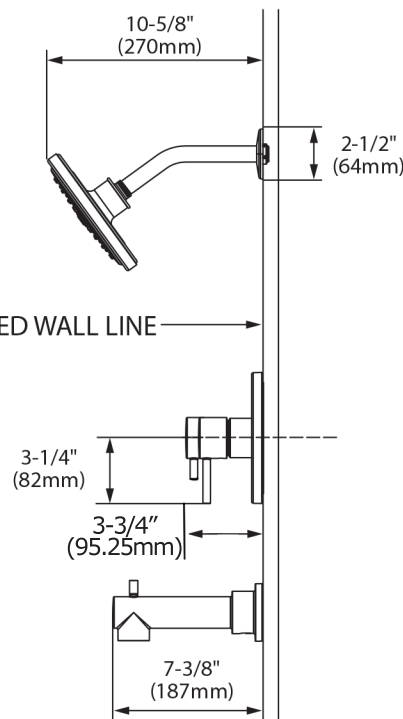
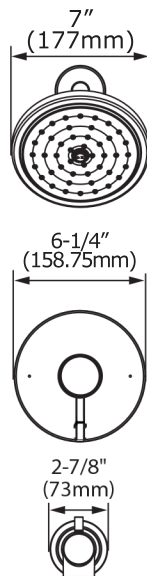
- Lifetime limited warranty against material or manufacturing defects to the original homeowner
 - 10 year limited warranty when used in a multifamily installation
 - 5 year limited warranty when used in a commercial installation
- Visit www.moen.com/support for complete details and limitations



ALIGN™ M-CORE™ 4-Series Tub/Shower Trim

Models: UT4291 series - valve trim
 UT4292 series - shower trim
 UT4293 series - tub/shower trim

Valves: U130 Series and U140 Series



CRITICAL DIMENSIONS

(DO NOT SCALE)