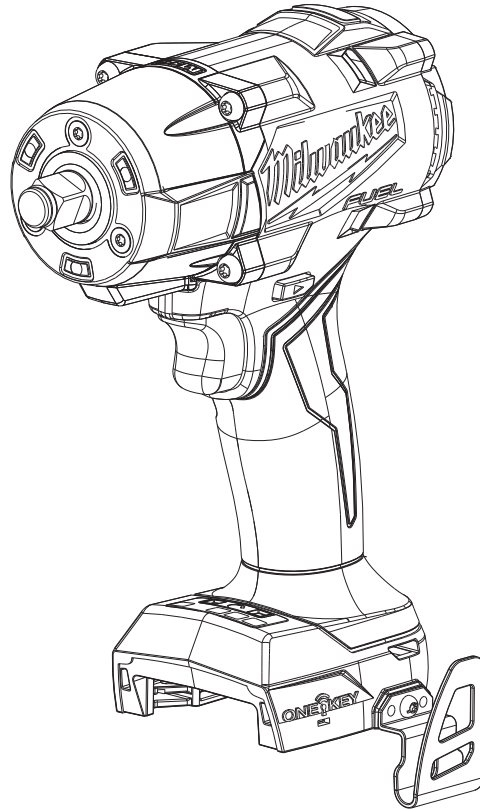




# SERVICE PARTS LIST

BULLETIN NO.  
54-26-3050

SPECIFY CATALOG NO. AND SERIAL NO. WHEN ORDERING PARTS		REVISED BULLETIN	DATE
M18™ FUEL™ 1/2" Friction Ring Controlled Mid-Torque Impact Wrench			Sept. 2023
CATALOG NO.	3062-20	SERIAL NO.	N62A
			WIRING INSTRUCTION See Page 4



This product is to be serviced **ONLY** by personnel authorized by MILWAUKEE TOOL. Do **NOT** attempt to purchase parts and install them yourself. Installation by anyone other than an authorized MILWAUKEE personnel could void your warranty.

### For service, parts, or inquiries, contact us:

- Customer Service at 1.800.SAWDUST (1.800.729.3878)
- E-Service tool repair at: [www.milwaukeetool.com/e-service](http://www.milwaukeetool.com/e-service)
- Find a local approved MILWAUKEE service location at [Milwaukeetool.com](http://Milwaukeetool.com)
- Find a MILWAUKEE *factory* Service Center Location or MILWAUKEE *factory* Central Repair Center at [Milwaukeetool.com](http://Milwaukeetool.com). Send the following, posted paid and insured:
  - Your name, address, and phone number
  - Description of the issues
  - Copy of the proof of purchase
  - Tool, charger, and batteries involved with the issues

### MILWAUKEE *factory* Central Repair Centers:

MILWAUKEE TOOL  
Central Repair  
1401 Sycamore Avenue  
Greenwood, MS 38930

MILWAUKEE TOOL  
Central Repair  
2198 Southtech Drive  
Greenwood, IN 46143

# SERVICE PARTS EXPLODED VIEW

**EXAMPLE:**  
 00 0 Component Parts (Small #)  
 Are Included When Ordering  
 The Assembly (Large #).

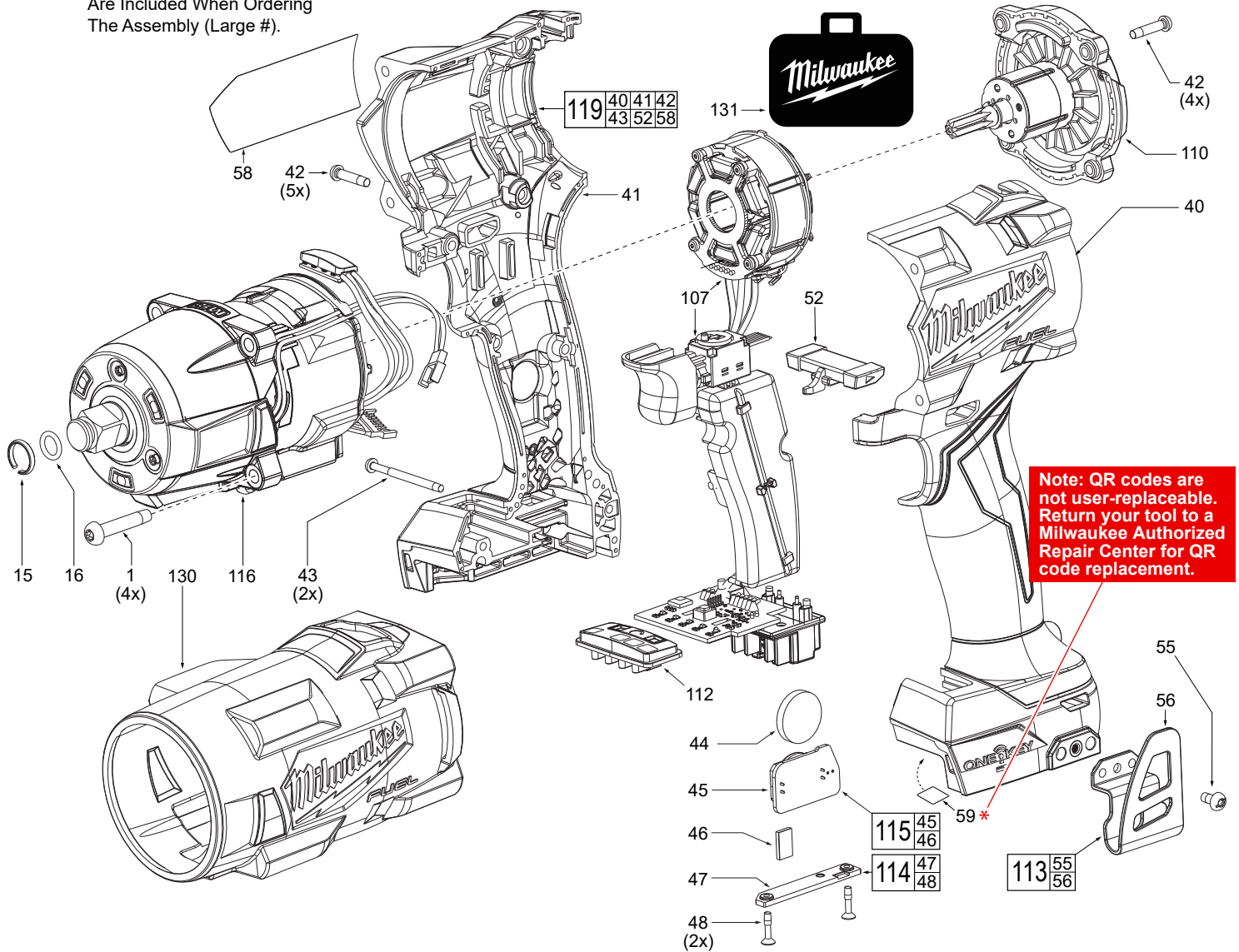


FIG.	PART NO.	DESCRIPTION OF PART	NO. REQ.
1	06-82-2366	Gearcase Screw	(4)
15	44-90-4530	Friction Ring	(1)
16	34-40-0900	O-Ring	(1)
40	-----	Right Housing Halve-Cover	(1)
41	-----	Left Housing Halve-Support	(1)
42	06-82-2368	M3 x 1.058 Pan Hd. ST T-10 Screw	(9)
43	06-82-2367	M3 x 1.058 Pan Hd. ST T-10 Screw	(2)
44	-----	Coin Cell Battery	(1)
45	-----	Coin Cell PCBA	(1)
46	-----	Foam Pad	(1)
47	-----	Coin Cell Cover	(1)
48	-----	M2.6 PH ST Screw	(2)
52	45-42-8200	Forward/Reverse Shuttle	(1)
55	06-82-2500	6-32 x 7mm Pan Hd. Tapt. T-15 Screw	(1)
56	42-70-5151	Belt Clip	(1)
58	12-20-9915	Service Nameplate	(1)
59	-----	QR Code Label	(1)
108	14-20-9385	Electronics Assembly	(1)
110	16-01-6030	Rotor/Back Cap Assembly	(1)
112	45-24-2860	Speed Selector Assembly	(1)
113	42-70-0950	Belt Clip Kit	(1)

FIG.	PART NO.	DESCRIPTION OF PART	NO. REQ.
114	45-04-7015	Cell Cover Screw Assembly	(1)
115	22-09-0015	Coin Cell PCBA Assembly	(1)
116	14-29-8845	Gearbox Assembly	(1)
119	14-38-7070	Handle Housing Kit	(1)
130	49-16-3062	Rubber Boot (Accessory)	(1)
131	48-53-3062	Blow Molded Carrying Case	(1)

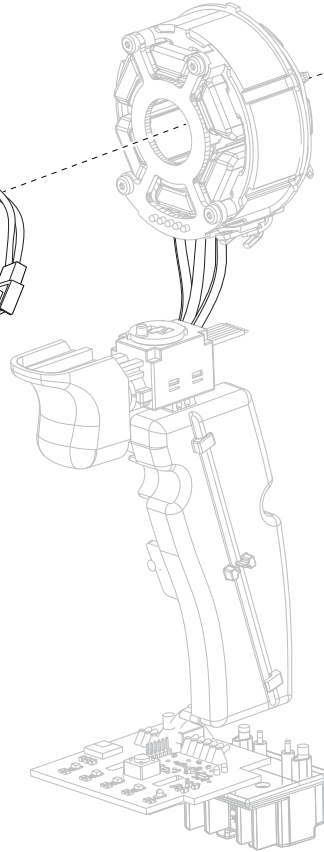
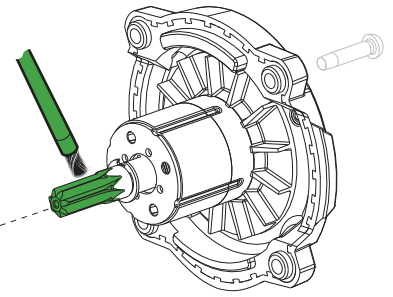
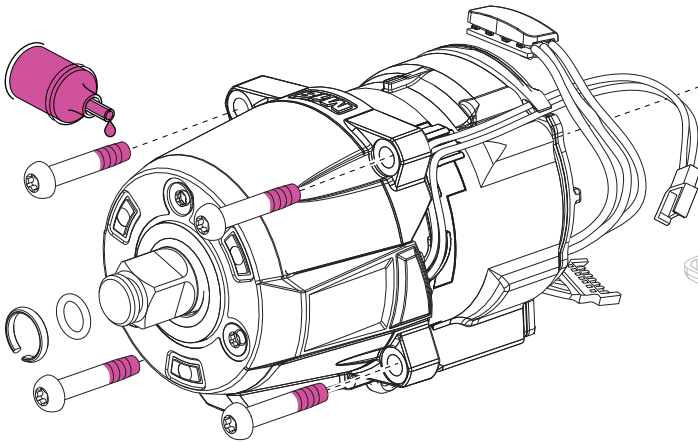
SCREW TORQUE SPECIFICATIONS				
FIG.	PART NO.	WHERE USED	SEAT TORQUE	
			(kgf-cm)	(lbs-in)
1	06-82-2366	Gearcase Assy.	38±3	33±3
42	06-82-2368	Right Housing Halve	11±1	10±1
42	06-82-2368	Rotor/Back Cap Assy.	9±1	8±1
43	06-82-2367	Right Housing Halve	11±1	10±1
48	-----	Cell Cover Screw Assy.	4±1	3±1
55	42-70-5151	Belt Clip	4±1	3±1

## LUBRICATION INSTRUCTIONS



Use Type "J" Grease, No. 49-08-4220 (1-lb. tub)

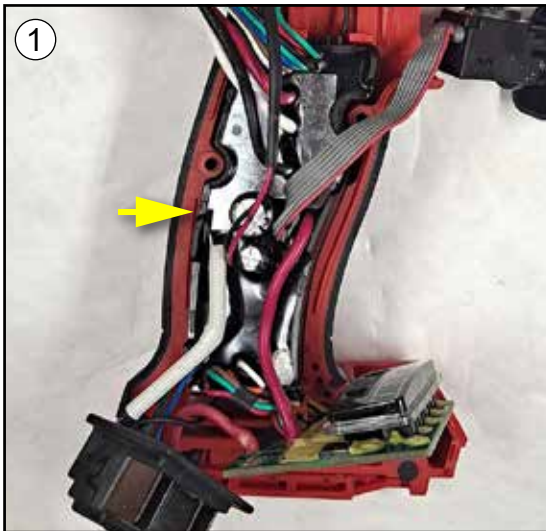
**NOTE:** When servicing, clean the rotor surface with a dry cloth.  
Apply a **liberal amount** of new grease to this part.



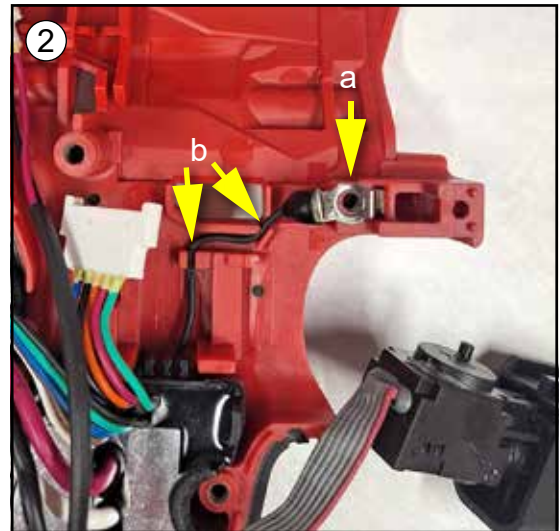
Use Red Loctite 277, No. 44-22-0050

**NOTE:** Regarding parts to receive thread locking sealant:  
Place **3-4 drops per screw** of the recommended Loctite®  
thread locking sealant (or the equivalent) to the threads  
of parts shown prior to installation.

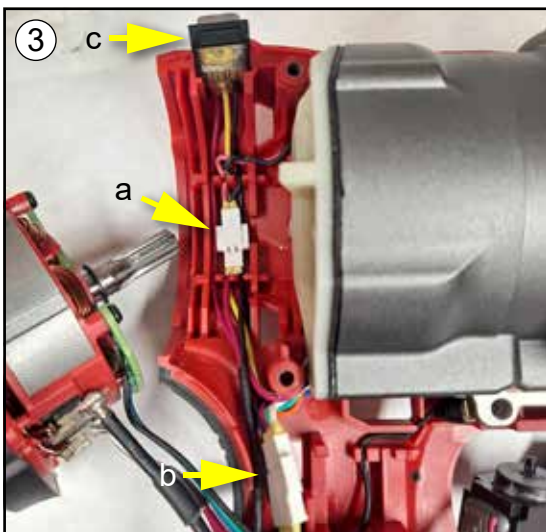
## WIRE ROUTING



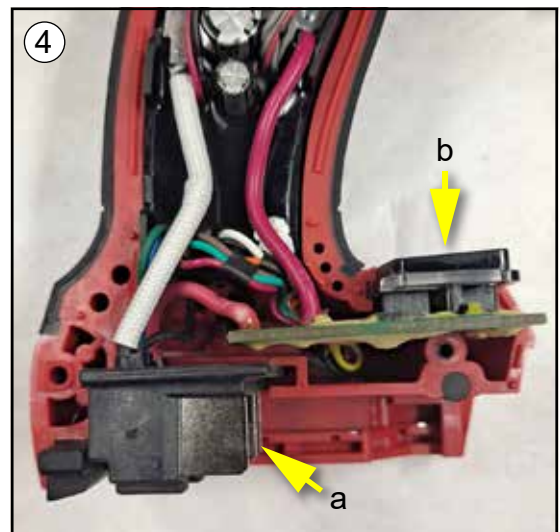
Place PCBA assembly in left handle half.



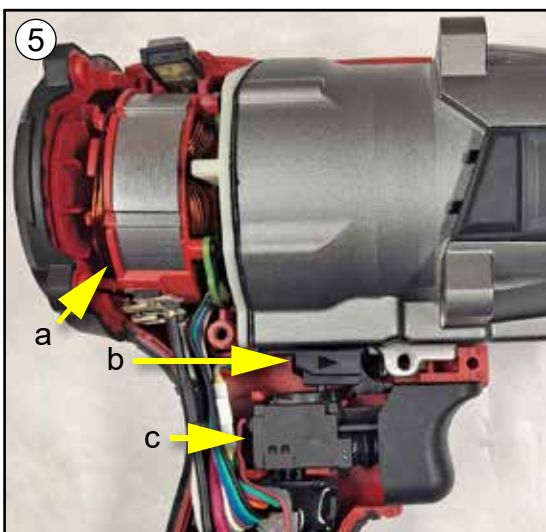
Place high voltage ring terminal over the screw boss as shown (a). Route ground wire (b) through the traps/channels in handle half.



Connect the shadowless LED connector (a) and indicator connector (b). Place indicator (c) in groove. Route wires as shown, placing wires and connector firmly down in traps.



Assemble the battery terminal block (a) and mode selector board (b) into the corresponding cavities in housing support.



Install stator (a) firmly and squarely in handle cavity. Install the shuttle (b) and on-off switch (c) over the ground wire and into cavity in handle half, firmly and squarely in position. Check that all electrical and mechanical components are properly in place, with no interferences creating pinched wires.



Install right handle half (cover) over left handle half (support). Check for the proper functionality of switch and shuttle. Secure handle halves together with seven screws.