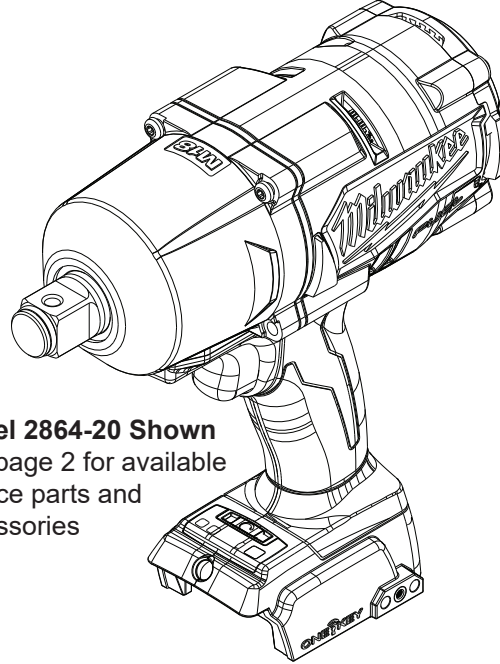




# SERVICE PARTS LIST

BULLETIN NO.  
54-00-2862

SPECIFY CATALOG NO. AND SERIAL NO. WHEN ORDERING PARTS				REVISED BULLETIN	DATE
<b>M18™ FUEL™ ONE KEY Impact Wrenches</b>					May 2019
CATALOG NO.	2862-20	SERIAL NUMBER	J38A	WIRING INSTRUCTION	
	2863-20		J39A		
	2864-20		J40A		



**Model 2864-20 Shown**  
See page 2 for available  
service parts and  
accessories

**Service for Milwaukee Electric Tool ONE KEY Products  
can only be performed at this  
Milwaukee factory Central Repair Center:**

**MILWAUKEE ELECTRIC TOOL Central Repair  
1401 Sycamore Avenue • Greenwood, MS 38930-7277**

Please send your tool directly to this location for service.

Or

**Via e-Service at: [www.milwaukeetool.com/e-service](http://www.milwaukeetool.com/e-service)**  
questions, please call 1.800.SAWDUST (1.800.729.3878)

Or

Return it to a MILWAUKEE *factory* Service Center location, freight prepaid and insured.  
A copy of the proof of purchase should be included with the return product.

If you have questions please contact Milwaukee Product Service at:

**Product Technical Support via phone at: 262.783.8642**

Or

**Via email at: [METProductSupport@milwaukeetool.com](mailto:METProductSupport@milwaukeetool.com)**

Disassembly is not recommended and could void the warranty.

FIG.	PART NO.	DESCRIPTION OF PART	NO. REQ.
41	-----	3V Coin Cell Battery (CR 2032)	(1)
42	22-09-2757	Coin Cell Board Assembly	(1)
43	31-15-0011	Coin Cell Cover	(1)
44	05-81-1100	M2.6 x 6mm ST Phillips Screw	(2)
49	12-20-2810	Service Nameplate	(1)
100	42-55-0063	Blow Molded Carrying Case	(1)
127	49-16-2766	Rubber Boot, Accessory for 2862-20	(1)
127	49-16-2767	Rubber Boot, Accessory for 2863-20	(1)
127	49-16-2864	Rubber Boot, Accessory for 2864-20	(1)

