

SPECIFICATION: (EXAMPLE)

Cast brass institutional wallmounted shower head, polished chrome-plated finish, 30° spray angle from wall, concealed cast brass mounting plate, vandal resistant front mounting screws, 1/2" copper sweat inlet.
Note: Not to be used as an anti-ligature device.

061125A

- Shower MAX flow: 2.5 gpm @ 80 psi (9.48 L/min @ 552 kPa)
- Shower MIN flow: 2.5 gpm @ 45 psi (9.48 L/min @ 310 kPa)
- See Note 1



060793A

- Shower MAX flow: 2.0 gpm @ 80 psi (7.57 L/min @ 552 kPa)
- Shower MIN flow: 1.53 gpm @ 45 psi (5.79 L/min @ 310 kPa)
- See Note 1



060991A

- Shower MAX flow: 1.75 gpm @ 80 psi (6.62 L/min @ 552 kPa)
- Shower MIN flow: 1.55 gpm @ 45 psi (5.87 L/min @ 310 kPa)
- See Note 1



061011A

- Shower MAX flow: 1.5 gpm @ 80 psi (5.68 L/min @ 552 kPa)
- Shower MIN flow: 1.38 gpm @ 45 psi (5.22 L/min @ 310 kPa)
- See Note 1



SPECIFICATION: (EXAMPLE)

Forged brass 30° vandal-resistant wallmount shower head.
Note: Not to be used as an anti-ligature device.

063196A

- Shower MAX flow: 1.5 gpm @ 80 psi (5.68 L/min @ 552 kPa)
- Shower MIN flow: 1.36 gpm @ 45 psi (5.15 L/min @ 310 kPa)
- See Note 1



063214A

- Shower MAX flow: 2.0 gpm @ 80 psi (7.57 L/min @ 552 kPa)
- Shower MIN flow: 1.9 gpm @ 45 psi (7.19 L/min @ 310 kPa)
- See Note 1



RP43381

- 3-Function Touch-Clean®, chrome-plated finish, brass ball shower head.
- Shower MAX flow: 1.75 gpm @ 80 psi (6.6 L/min @ 552 kPa)
- Shower MIN flow: 1.5 gpm @ 45 psi (5.7 L/min @ 310 kPa)



061365A

- RP43381 with 060710A arm and flange
- See Note 1



RP38357

- Touch-Clean®, polished chrome-plated finish, brass ball shower head.
- Shower MAX flow: 1.75 gpm @ 80 psi (6.6 L/min @ 552 kPa)
- Shower MIN flow: 1.5 gpm @ 45 psi (5.7 L/min @ 310 kPa)



061367A

- RP38357 with 060710A arm and flange
- See Note 1



52672-15-BG

- Chrome-plated brass ball shower head
- Shower MAX flow: 1.5 gpm @ 80 psi (5.7 L/min @ 552 kPa)
- Shower MIN flow: 1.34 gpm @ 45 psi (5.07 L/min @ 310 kPa)



061366A

- 52672-15-BG with 060710A arm and flange
- See Note 1



RP46384

- H₂Okinetic Technology® shower head.
- Shower MAX flow: 1.5 gpm @ 80 psi (5.68 L/min @ 552 kPa)
- Shower MIN flow: 1.48 gpm @ 45 psi (5.6 L/min @ 310 kPa)



061368A

- RP46384 with 060710A arm and flange
- See Note 1

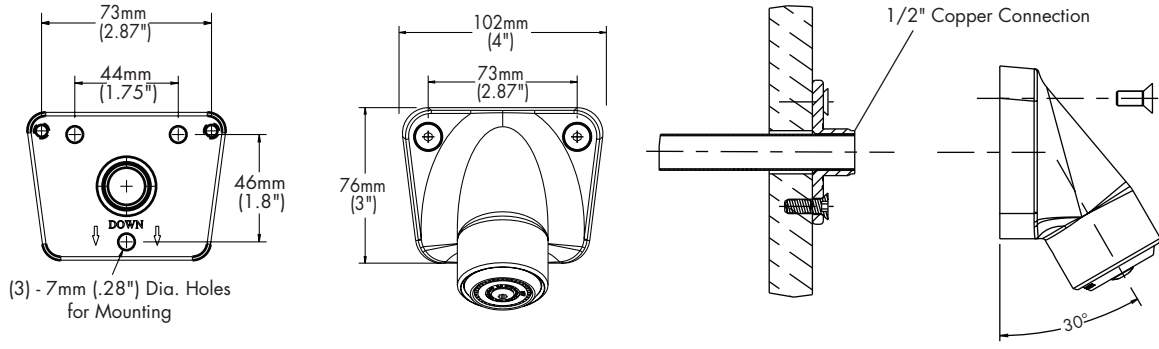


Note 1

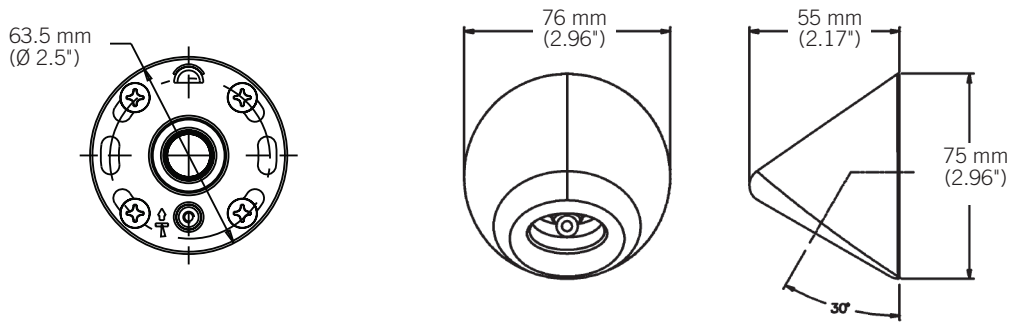
Shower heads/hand showers are for use with automatic compensating valves rated at or less than the Shower MIN flow rate value.

060793A, 060991A, 061011A & 061125A Shower Head

ANCHOR PLATE



063196A & 063214A Shower head



Note: Measurements may vary ± 6mm (0.25")

Refer to www.specselect.com for individual models.

Note: Use this page front and back as a product submittal sheet.

SPECIFICATION: (EXAMPLE)

Hand shower head with push button pause.
Back flow protection provided by two integral certified check valves in series, which operate independently and are non-serviceable, ASME A112.18.3 and ASME A112.18.1/CSA B125.1.



□ 59462-WHB-PK

- Shower MAX flow 2.5 gpm @ 80 psi (9.48 L/min @ 552 kPa)
- Shower MIN flow 1.7 gpm @ 45 psi (6.44 L/min @ 310 kPa)
- See Notes 1 & 2



□ 59462-WHB18-PK

- Shower MAX flow 1.75 gpm @ 80 psi (6.6 L/min @ 552 kPa)
- Shower MIN flow 1.5 gpm @ 45 psi (5.7 L/min @ 310 kPa)
- See Notes 1 & 2



□ 59462-WHB15-BG

- Shower MAX flow 1.5 gpm @ 80 psi (5.7 L/min @ 552 kPa)
- Shower MIN flow 1.28 gpm @ 45 psi (4.8 L/min @ 310 kPa)
- See Notes 1 & 2



Note 1

Shower heads/hand showers are for use with automatic compensating valves rated at or less than the Shower MIN flow rate value.

Note 2

PAUSE WARNING – FOR Hand shower

Plumbing Codes require that shower heads and hand showers provide a small but continuous flow of water (trickle) when in "PAUSE" mode. Because of this continuous flow, in certain circumstances pressure variations in the water line and/or changes in the position of the shower temperature control handle while in "PAUSE" mode could result in dramatic changes to the temperature of the water when the shower head or hand shower is returned to the "ON" position.

ALWAYS point the shower head away from yourself when returning to the "ON" position and feel the water with your hand before resuming your shower to ensure the water flow is not too hot or too cold.

DO NOT allow children or others who might not understand this warning to use the "PAUSE" function.