

BT031121▲

# BRIZO®

## ACCESSORIES

### ■ 17 Gauge P-Trap

#### STANDARD SPECIFICATIONS:

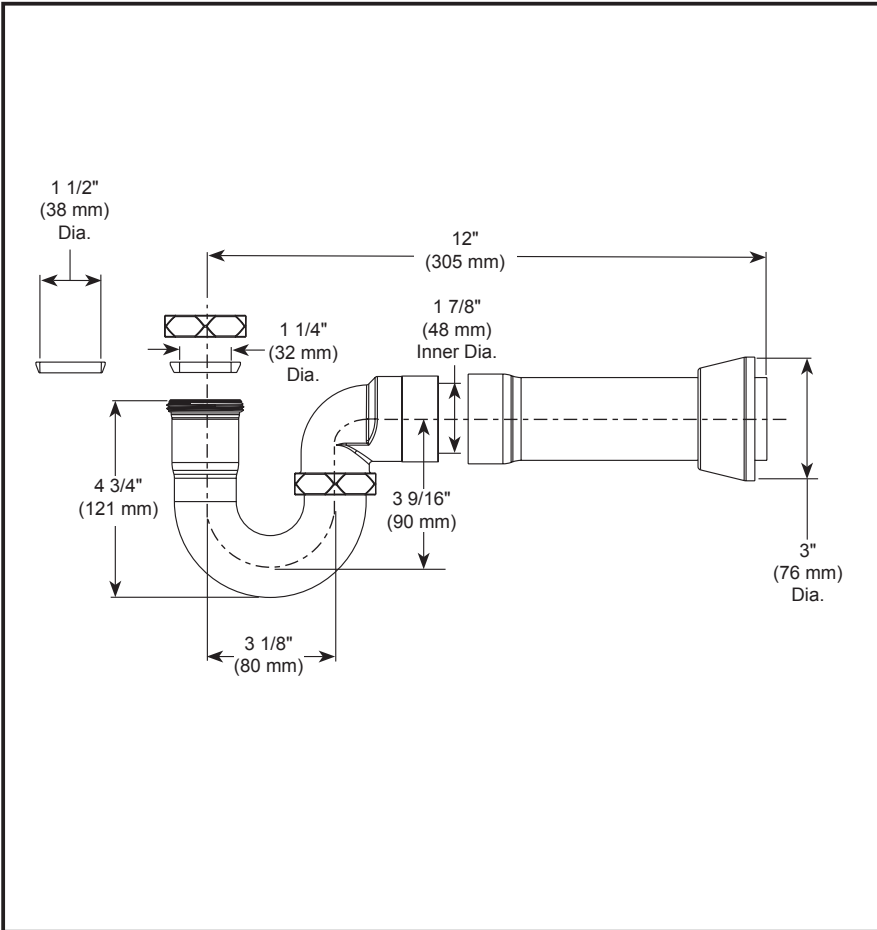
- Finished to match Brizo products
- 17 Ga. brass construction
- Fits 1 1/2" & 1 1/4" drains, extension tubes & tailpieces
- Adjustable rotation on tube outlet
- Slip-joint inlet
- Cover tube, escutcheon, and PVC adapter included
- Designed for exposed applications
- Optional extension RP103667▲ for compression slip fitting installation compatible with 1-1/4" diameter drain tailpieces.
- Meets New England and Massachusetts plumbing code requirements

#### WARRANTY

- Parts and Finish - Lifetime limited warranty; or for commercial purchasers, 10 years for multi-family residential (apartments and condominiums) and 5 years for all other commercial uses, in each case from the date of purchase.
- Electronic Parts and Batteries (if applicable) - 5 years from the date of purchase; or for commercial purchasers, 1 year from the date of purchase. No warranty is provided on batteries.

#### COMPLIES WITH:

- ASME A112.18.2 / CSA B125.2



▲ Designate proper finish suffix

Delta reserves the right (1) to make changes in specifications and materials, and (2) to change or discontinue models, both without notice or obligation. Dimensions are for reference only. See current full-line price book or [www.brizo.com](http://www.brizo.com) for finish options and product availability.

BSP-A-BT031121 Rev. B

**Brizo Kitchen & Bath Company**  
 55 E. 111th Street, Indianapolis, Indiana 46280  
 350 South Edgeware Road, St. Thomas, ON N5P 4L1  
 © 2024 Brizo Kitchen & Bath Company