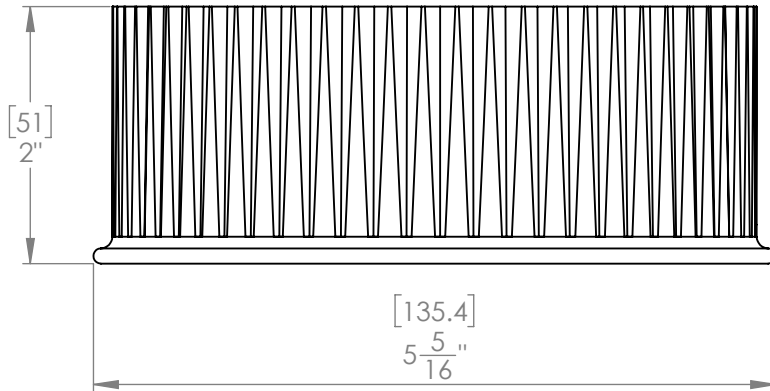
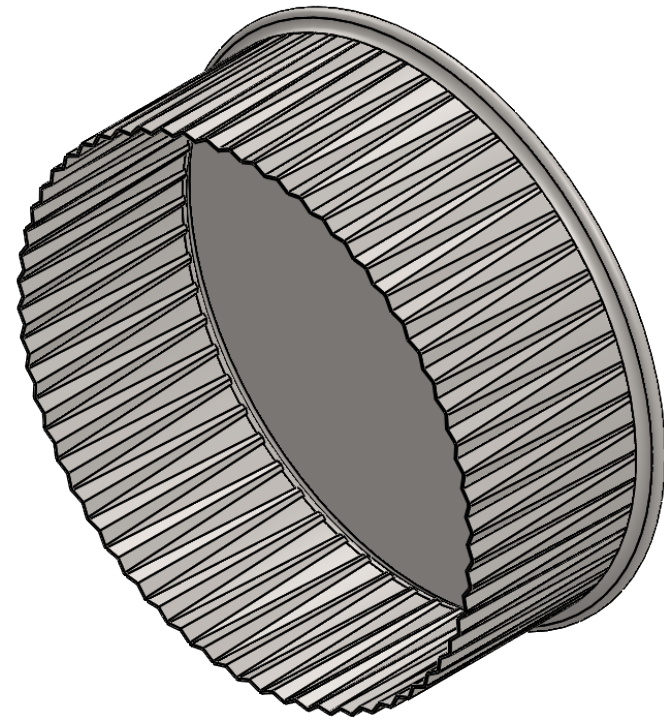



[127.9]  
 $\varnothing 5 \frac{1}{16}$ "  
 CRIMPED END  
 O.D.



**FOR REFERENCE ONLY**

REVISION	DESCRIPTION :
00	5" End Cap SE (Crimped)

PROPRIETARY AND CONFIDENTIAL  
 THE INFORMATION CONTAINED IN THIS DRAWING IS THE SOLE PROPERTY OF Imperial Manufacturing Group. ANY REPRODUCTION  
 IN PART OR AS A WHOLE WITHOUT THE WRITTEN PERMISSION OF Imperial Manufacturing Group IS PROHIBITED.

NAME	DATE	TITLE:	
DRAWN FK	2019-10-10	5" End Cap SE (Crimped)	
UNLESS OTHERWISE SPECIFIED: DIMENSIONS ARE IN MM TOLERANCES: +/-1.6mm +/- 1/16"		MATERIAL: Black Matt 24ga	FINISH: Black Matt
		SIZE <b>A</b>	PART NO. BM0150
		SCALE: 1:1.5	DO NOT SCALE DRAWING
		SHEET 1 OF 1	