



Gravity Series

Model

WETS 9020-1.28

Two Piece Floor Mounted Elongated ADA Compliant Toilet Tank System

DESCRIPTION

Complete two piece vitreous china, elongated, ADA compliant, floor mounted toilet tank system.

Flush Cycle

Model WETS-9020.9010-1.28 gpf/4.8 Lpf (Left Handle)

- ST-9020-A 1.28 gpf Bowl
- ST-9010-A 1.28 gpf Left Handle Tank

Model WETS-9020.9110-1.28 gpf/4.8 Lpf (Right Handle)

- ST-9020-A 1.28 gpf Bowl
- ST-9110-A 1.28 gpf Right Handle Tank



Right Handle Model Shown

SPECIFICATIONS

Quiet, ADA compliant two piece toilet tank system with vitreous china floor mounted elongated water closet and compact tank for left handle or right handle with the following features:

Two Piece Toilet System

- Contemporary design
- Siphon jet flushing action
- Depending on model selected, available with a right or left handle
- Quiet powerful gravity flush
- Polished chrome handle
- Elongated bowl
- 12" rough-in
- 3" valve opening for better flush performance
- Vitreous china
- ADA compliant
- Integral trap
- Color matched floor caps
- Floor mount bolts included
- 2 1/8" fully glazed trapway
- Water pressure range: 25 to 80 PSI
- Tank and bowl must be ordered as two (2) separate items
- Water spot area 8 1/2" x 6 7/8"
- Easy handle actuation
- Water supply not included
- Toilet seat not included
- Compatible with toilet seat models: Olsonite 10CT, Bemis 1955CT & Church Commercial 295CT
- Toilet tank system is in compliance to the applicable sections of ASME A112.19.2/CSA B45.0/CSA B45.1

FEATURES

Performance

Sloan's toilet tank system incorporates a high performance flapper flush valve to ensure an efficient and optimum flushing performance. 3" valve opening offers better waste removal and powerfully clears the bowl.

Colors and Accessories

Available in the color White with polished chrome left or right trip handle. For additional information refer to our price book.

Functional & Hygienic

The tank valve provides a 1.28 gpf low consumption flush. Durable construction provides non-corrosive dependability. Anti-siphon ballcock allows reliable operation at high or low water pressures. Adjustment screw allows water level adjustment for individual preference.

Economical

High Efficiency Toilet tank system provides additional savings in water usage. Reduces maintenance and operation costs. Designed for commercial use and also ideal for residential.

Warranty

3 year (limited)

Product Specification

Elongated toilet tank system shall be made of vitreous china. Toilet tank system shall be ADA compliant when installed at required height of 17" from floor to top of bowl. Toilet tank system shall be floor mounted. Toilet tank system shall include floor mount bolts and caps. Toilet tank system shall be a high efficiency 1.28 gpf. Toilet tank system shall be Sloan model WETS-9020.9010-1.28 (left handle) or Sloan model WETS-9020.9110-1.28 (right handle).

Meets the American Disabilities Guidelines and ANSI A117.1 requirements when installed according to these requirements.



Listed by I.A.P.M.O.

This space for Architect/Engineer approval	
Job Name	Date
Model Specified	Quantity
Variations Specified	
Customer/Wholesaler	
Contractor	
Architect	

The information contained in this document is subject to change without notice.



Sloan Valve Company
 10500 Seymour Avenue
 Franklin Park, IL 60131
 Phone: 1-800-9-VALVE-9 (982-5839)
 or 1-847-671-4300
 Fax: 1-800-447-8329
 or 1-847-671-4380
 www.sloanvalve.com

Copyright © 2010 Sloan Valve Company
Rev. 0c (07/10)

DESCRIPTION

Complete two piece vitreous china, elongated, ADA compliant, floor mounted toilet tank system.

Flush Cycle

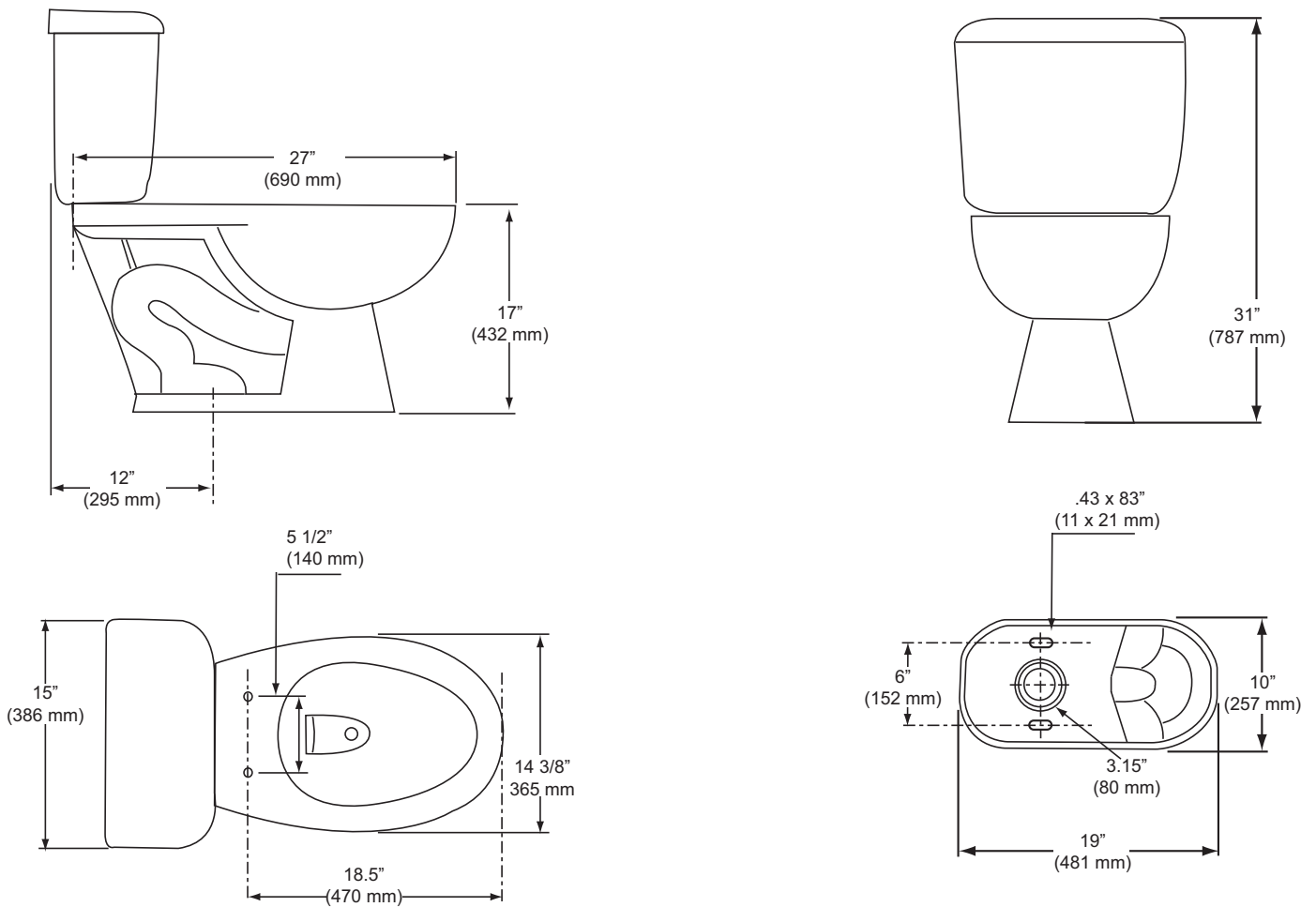
□ Model WETS-9020.9010-1.28 gpf/4.8 Lpf (Left Handle)

- ST-9020-A 1.28 gpf Bowl
- ST-9010-A 1.28 gpf Left Handle Tank

□ Model WETS-9020.9110-1.28 gpf/4.8 Lpf (Right Handle)

- ST-9020-A 1.28 gpf Bowl
- ST-9110-A 1.28 gpf Right Handle Tank

DIMENSIONS/ROUGH-IN



SLOAN VALVE COMPANY • 10500 SEYMOUR AVENUE • FRANKLIN PARK, IL 60131

Phone: 1-800-9-VALVE-9 or 1-847-671-4300 • Fax: 1-800-447-8329 or 1-847-671-4380 • www.sloanvalve.com