

Sensor- Operated, Deck-Mount Foam Soap Dispenser



Installation & Operating Instruction Manual

Thoroughly read this instruction booklet before installing or operating the Sloan JANSAN dispenser.

Keep the **Installation & Operating Instruction Manual** with other product information for future reference.

Sensor-Operated Dispenser

SJS-1750 Sensor-Operated, Deck-Mount
Foam Soap Dispenser

Specifications

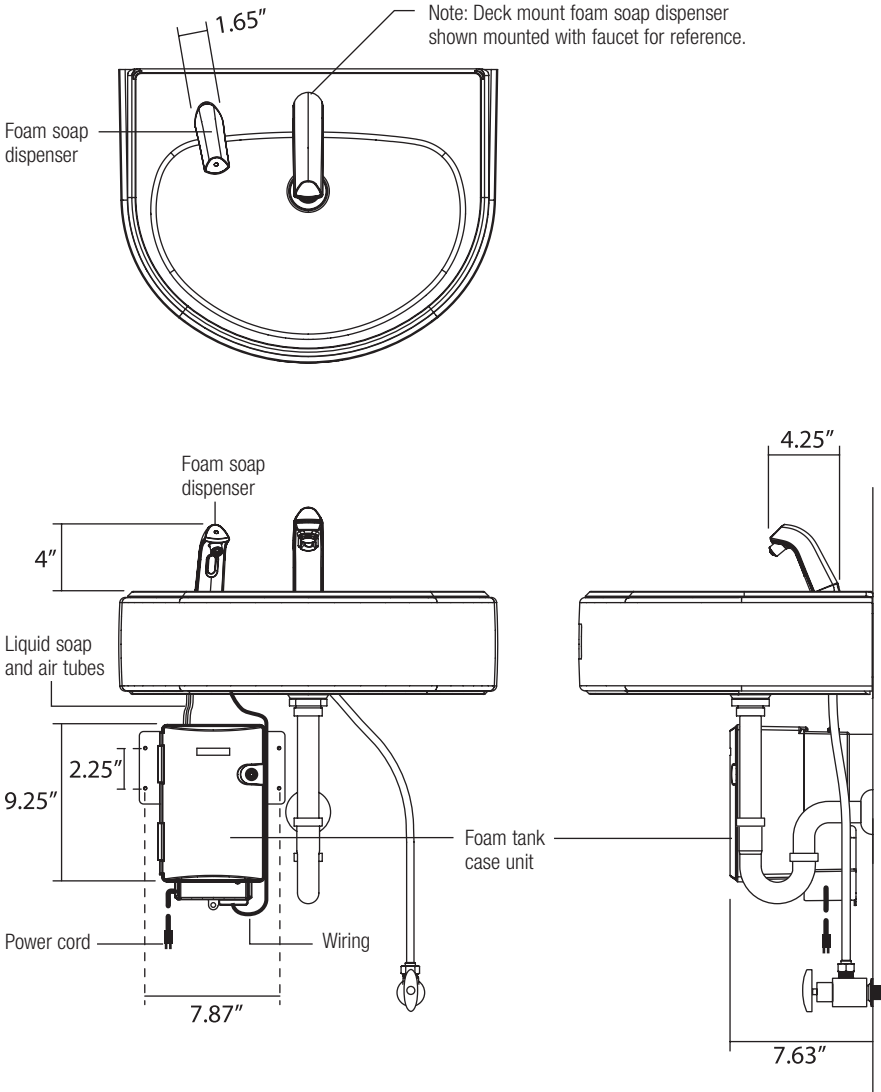
Width	1.65" (42 mm)
Height	4" (102 mm)
Depth	4.25" (107mm)
Dispenser Rate	Approximately 1.2 mL per use
Capacity	1000 mL bottle

Specifications are subject to change without notice.

Table of Contents

	Page
Parts/Dimensions	2
Installation Instructions	3-5
Operation	6
Maintenance/Replacements	7
Emergency Measures	8
Consumables	8

OVERVIEW OF PARTS AND DIMENSIONS



INSTALLATION

Check that all parts are included in original packaging for proper installation.

Package contents:

Foam soap dispenser (1)
Dispenser shank nut, washer and packing
Connector case, stainless steel panhead screws (2) and adhesive pad (1)
Tubing (1)
Foam tank case unit (1)
Screw kit (4-screw kit x 1)
Foam tank case key (2)
Tube clamp (2)
Wire clip (2)

Tools needed:

Drill
1/8" drill bit
1/4" masonry bit (if attaching to concrete wall)
1" hole drill for drilling through countertop
Adjustable wrench or basin wrench
Phillips head and slotted screwdrivers
Utility knife
Hammer
Ruler/tape measure

Precautions

Before using the dispenser, thoroughly read the "Precautions" attached to the liquid products.

Immediately clean any spill on the floor to help avoid falling, injuries or other hazards.

Choosing Installation Placement

For indoor use only.

Do not install in areas with high humidity or where the unit may be exposed to direct sunlight.

Install the unit on a sturdy horizontal surface that is in ambient temperature (0-35°C).

Make sure foam tank case unit will be accessible from the underside of sink.

Prior to Installation

An electrical outlet is needed for operation. It should be protected from any contact with water and be within the range of the power cord (approx. 70"). If no outlet is available, consult licensed electrician.

Locate final position of foam soap dispenser and drill 1" hole in counter top.

STEP 1.

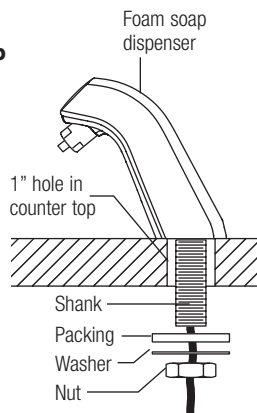
Remove unnecessary components

Remove unnecessary components from washbowl or horizontal surface that are mounted on the area where the foam soap dispenser will be installed.

STEP 2.

Install foam soap dispenser

Insert the foam soap dispenser shank into the mounting hole. Secure the foam soap dispenser to the countertop using shank packing, washer and nut.



INSTALLATION

STEP 3.

Install foam tank case unit to wall

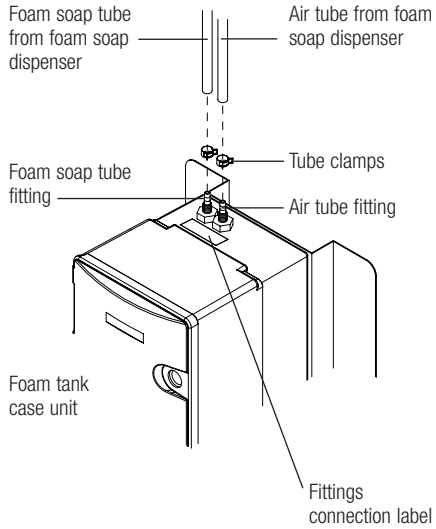
Before installing on the wall, check that no other piping and wiring is running behind hole locations. Wall should sufficiently reinforced or risk failure due to foam tank case unit falling.

- Determine a temporary position for mounting the foam tank case unit.
- Make sure unit is within reach of the liquid soap and air tube from the foam soap dispenser.

- Use the mounting bracket as a guide, mark where holes need to be drilled.

Important: Make sure bracket and foam tank case unit is mounted level.

- When installing onto a concrete wall, drill holes 1.125" deep using a 1/4" masonry drill bit. Insert wall anchors into the holes and mount the dispenser using screws.
- When installing onto a wood wall, drill holes using a 1/8" drill bit and attach the dispenser using screws.



Removing tubes

When removing a tube from a fitting, remove the clamp first and then pull out the tube from the fitting.

To reconnect a removed tube to a fitting, retrim tip of the tube at right angle prior to connecting.

STEP 4.

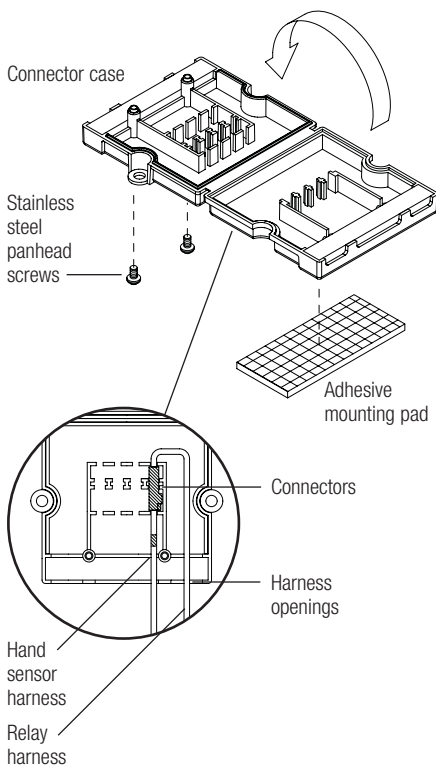
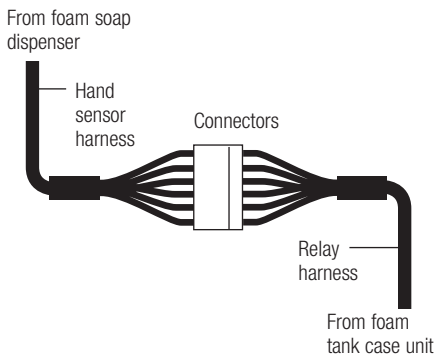
Connect foam soap tube and air tube

Connect the foam soap tube and air tube from the foam soap dispenser into the soap tube fitting and air tube fitting found on top of the foam tank case unit, respectively.

- Check soap tube tags and align with correct fittings as indicated on the fittings connection label.
- Cut the soap tube and the air tube at suitable lengths. Ends should be cut at right angles and tubes should be free of kinks and bends when connected.
- Insert soap tube and air tube into respective fittings and secure with tube clamps.

Connect wiring

Connect the relay harness, which comes from the bottom of the foam tank base case unit, with the hand sensor harness, which comes from the foam soap dispenser.



Protect wire connections

Feed the connectors of the relay harness and hand sensor harness into the connector case as shown in illustration. After positioning all wiring, fold the connector case in half and close using two stainless steel panhead screws.

- Be careful not to pinch the wiring in the connector case.

Mount connector case

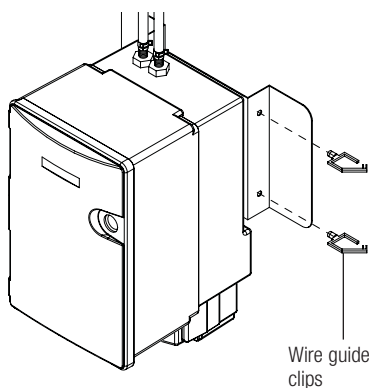
Completely clean the area where affixing the connector case. Remove liner and affix one side of the adhesive pad to the back of the connector case.

Remove the adhesive liner on the pad affixed on the connector case and attach to the underside or back of basin or sink.

- When mounting the connector case, screws must be accessible in case wiring needs accessing.
- Harness openings must face down to keep water from entering case.

Attach wire guide clips

- Attach wire guide clips to the bracket and secure wires.

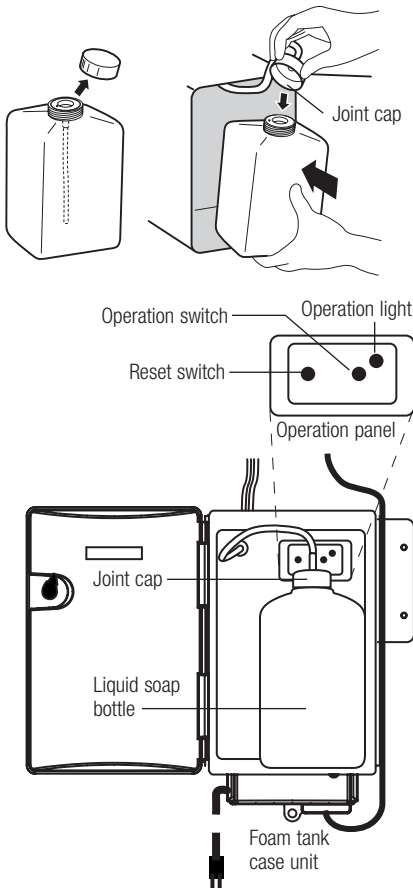


Plug in to electrical outlet

OPERATION

Operation

Mount soap bottle to the foam tank case unit. Press the reset switch, which begins the pumping cycle to purge air from the tube. This step may be required twice to completely prime the unit.



Place hands under foam soap dispenser. The sensor will detect the presence (approximately 0.6 seconds) and dispense foam soap from the foam soap dispenser.

Check for leaks from the bottle or dispensing unit. Soap should only be dispensed through the outlet spout.

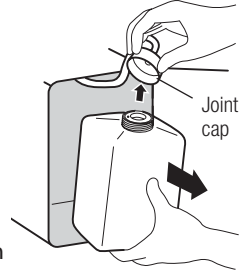
NOTE: This procedure must be completed every time a bottle is replaced.

MAINTENANCE

Replacing Soap

The foam soap indicator light on the foam soap dispenser blinks and stops dispensing when the soap bottle in the foam tank case unit runs out. Change the soap bottle.

- Turn the key to open the foam tank case unit cabinet door.
- Remove the joint cap and dip tube and discard empty soap bottle.
- Insert the dip tube and attach the joint cap to the new bottle and install the bottle in the tank cabinet. Be sure to attach the joint cap securely.
- Close the door and lock using key.



Cleaning

For reliable long-term use, perform regular maintenance for the unit. Be sure to turn off the operation switch and check that the operation light is off when maintenance is done. Remove soil with a soft, dry cloth. If the unit is seriously polluted on portions other than the hand sensor, use wet cloths properly diluted neutral detergent. Then remove the detergent with a soft damp cloth and then rub with a soft, dry cloth.

Cleaning the hand sensor

Clean the hand sensor periodically (about once a month) according to the following procedure:

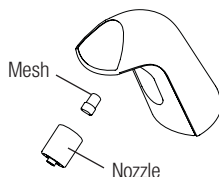
- Press the operation switch to OFF (the operation light goes off).
- Gently wipe the hand sensor area with a cloth moistened with warm water.
- Press the operation switch to ON (the operation light goes on).
- Make sure that the nozzles properly dispense foam soap.

NOTE: Do not leave water drops on the hand sensor area. Remaining water drops may cause a malfunction.

Cleaning foam soap dispenser

If the tip of the soap nozzle is clogged, the dispensing capability may fail or function partially. Clean the nozzle according to the following procedure:

- Press the operation switch to OFF (the operation light goes off).
- Remove the foam soap dispensing nozzle and then the internal mesh. Wash it with lukewarm water.
- Turn ON the operation switch (the operation light goes on). Check the foam soap spraying state.
- Repeat as needed.



Before Calling for Repair

Problem	Action
Unit does not operate.	Check operation switch is on. Check power plug is securely inserted to the outlet.
Soap does not dispense	Soap bottle needs replacing. Check soap dispensing nozzle for clog. Clean hand sensor.
Liquid soap is not in foam state	Check mesh is mounted in the foam-dispensing nozzle.

EMERGENCY MEASURES

Take action according to the chemical being used as listed on the container. See the Material Safety Data Sheets.

Eye Contact: Flush eyes with water for a minimum of 15 minutes and consult a physician immediately.

Ingestion: Drink water to induce vomiting and consult a physician immediately.

Inhalation: Get fresh air immediately. If condition does not improve, consult a physician immediately.

CONSUMABLES

Product No.	Description	Order No.
SJS-1751	Sensor Deck-Mount Foam Soap	0700751
SJS-1751-1	Sensor Deck-Mount Foam Soap with Moisturizers	0700752
SJS-1751-2	Sensor Deck-Mount Antimicrobial Foam Soap	0700753

**SLOAN
JANSAN™**

The information contained in this document is subject to change without notice. For most current information, refer to online installation and operating instruction manuals at www.sloanjansan.com

SLOAN JANSAN

A Division of Sloan Valve Company
10500 Seymour Avenue
Franklin Park, IL 60131-1259
Phone: 877-6-JANSAN (877-652-6726)
Fax: 800-447-8329
www.sloanjansan.com

©2006 Sloan Valve Company
Sloan JANSAN
A Division of Sloan Valve Company
Printed in the U.S.A. JSD6061 11/06