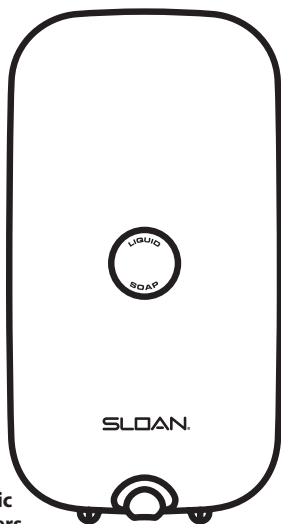
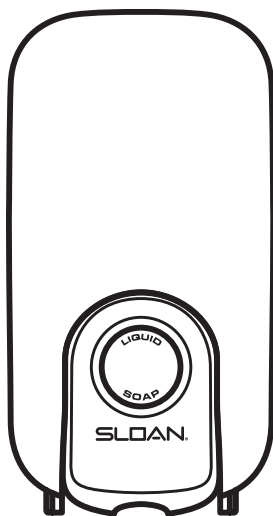


## Soap/Sanitizer Dispensers



**Electronic  
Dispensers**



**Manual  
Dispensers**

### **Installation & Operating Instruction Manual**

Thoroughly read this instruction booklet before operating Sloan dispensers.

Keep this **Installation & Operating Instruction Manual** with other product information for future reference.

### **Manual Dispensers**

**SJS-1000** Soap Dispenser

**SJS-1100** Foam Soap Dispenser

**SJS-1400** Sanitizer Dispenser

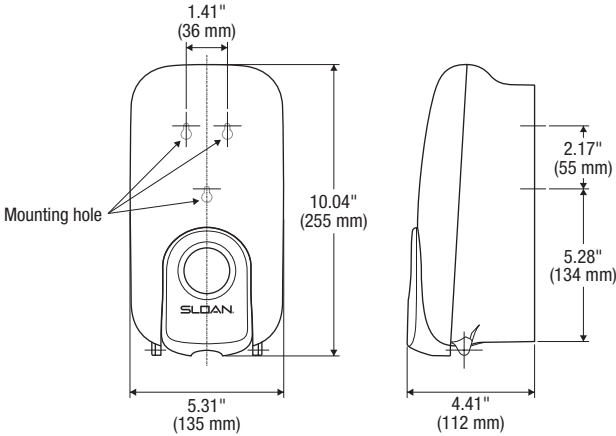
### **Electronic Dispensers**

**SJS-1050** Touchless, Sensor-Operated  
Soap Dispenser

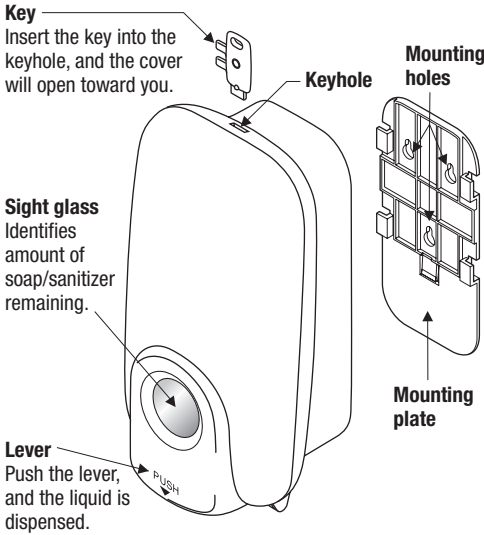
### **Table of Contents**

	<b>Page</b>
Dimensions	2-3
Installation and Set-up	4-7
Operation	8-9
Maintenance	9-10
Troubleshooting	11
Emergency Measures	11
Consumables Chart	11

## Dimensions – Manual Models (Fig. 1)



## Parts – Manual Models (Fig. 2)

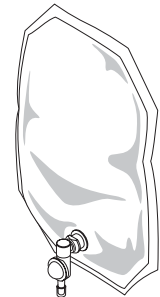


## Soap/Sanitizer Pouches – Manual Models (Fig. 3)

Note the difference in the pouch nozzles.

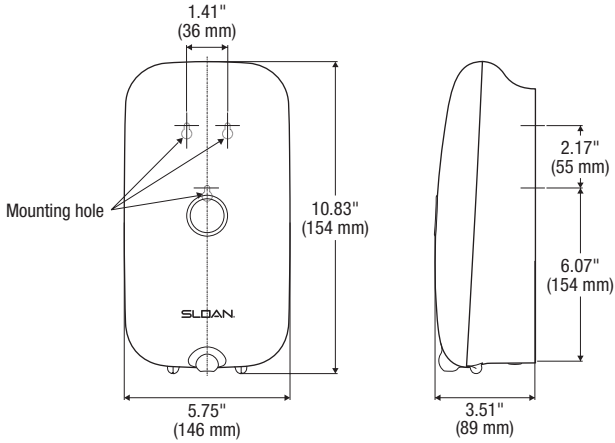


Foaming Soap Pouch

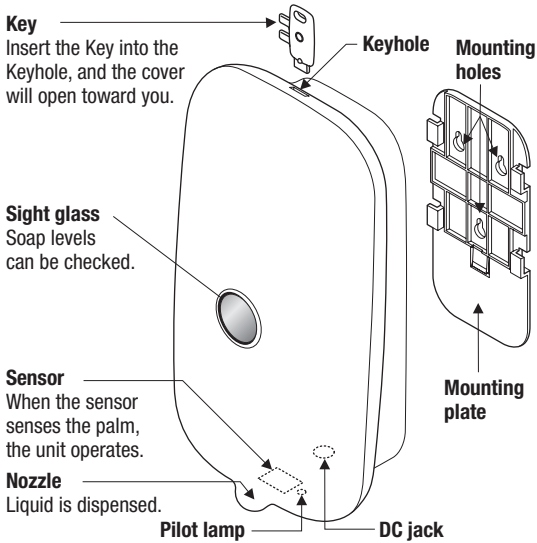


Sanitizer and Skin Care Pouch

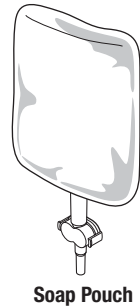
## Dimensions – Sensor Models (Fig. 4)



## Parts – Sensor Models (Fig. 5)



## Soap Pouch – Sensor Models (Fig. 6)



# INSTALLATION AND SET-UP

## Parts

- Dispenser (1)
- Key (1)
- Alcohol Wipe (1)
- Screws (5)
- Wall Anchors (5)
- Double Face Tape (1)
- C-Cell Batteries (4) – sensor models only

## STEP 1.

### Select an area on the wall with sufficient support

The installation wall must be at least .25" (6 mm) thick or the area should be reinforced or risk failure due to the dispenser falling.

### Install in an area that does not experience extreme temperatures

Avoid exposure to direct sunlight and keep away from heat sources such as cooking areas and heating devices. This may result in fire. The dispenser should be installed in an area that maintains an ambient temperature between 32°F and 95°F.

Excessive moisture or water spray may result in rusting or malfunction.

Direct sunlight may result in malfunction.

### Tools for Installation

- 1/4" drill bit
- 1/8" drill bit
- Power drill
- Phillips screwdriver
- Measure/Ruler
- Hammer

### Installation Procedure

Check the installation wall. The wall anchors and screws are required for installation on a concrete wall. If the wall is weak paneling or plasterboard less than .25" (6 mm), the area should be reinforced.

### Optional AC Adapter for Sensor Models

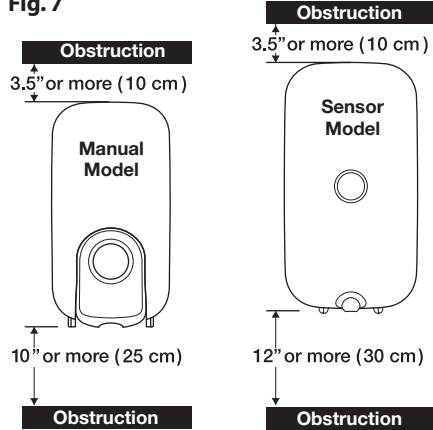
1. If an outlet is not available in the installation area contact an electrician.
2. The power supply is AC100V-120V (50/60Hz). Wiring must conform to power supply requirements.
3. Keep moisture or water away from the outlet.
4. The length of the AC adapter cord is 5'-9" (1.8 m). The outlet must be within this range.

## STEP 2.

### Positioning the dispenser (Fig. 7)

To properly use key and to open door fully, allow clearance above and below dispenser as shown in Figure 7.

Fig. 7

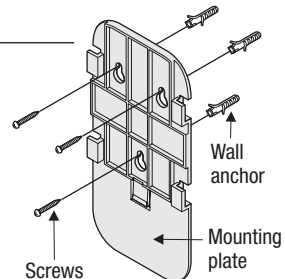


## STEP 3.

### Install the mounting plate (Fig. 8)

Use the mounting plate holes as a guide for drilling.

Fig. 8



When installing onto a concrete wall or drywall, drill 1" to 1.5" deep holes using a 1/4" drill bit. Mount plate with three wall anchors and screws.

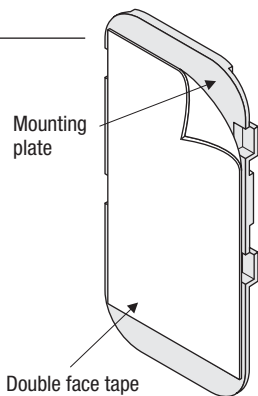
For wood walls, drill guide holes using a 1/8" bit and attach plate with three screws.

Before drilling the holes, make sure there are no pipes or wires located behind the wall.

### Using double face tape to install the mounting plate (Fig. 9)

When the installation area does not allow drilling, use double face tape to mount the dispenser by placing the tape on the back of the mounting plate after it has been cleaned of dust, dirt, oils and grease with the alcohol wipe. The wall area must also be cleaned in this manner. Let both the wall and mounting plate dry for at least 10 minutes.

Fig. 9



Once tape is secured to the mounting plate, peel the protective paper from the double face tape and press the plate firmly to the wall and hold for 10 seconds. Leave the mounting plate attached to the wall and allow to dry for 24 hours before installing the dispenser.

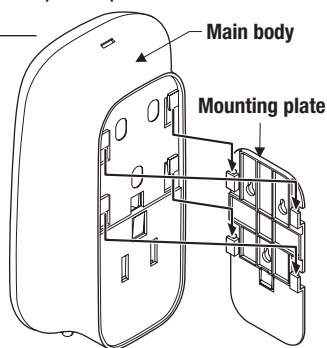
*NOTE: Double face tape may not be used to mount the unit onto a wall with a coated surface or wallpaper. Double face tape cannot adhere to a wall with uneven or rough surface.*

### STEP 4.

#### Installing the main body (Fig. 10)

Position the main body over the mounting plate and snap into place.

Fig. 10

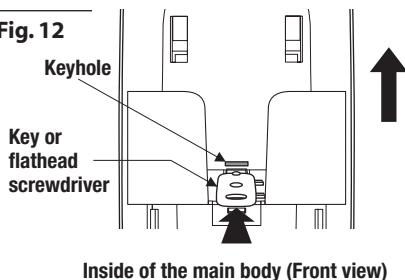


### STEP 5.

#### Removing the dispenser from the main body (Fig. 12)

Insert the key or a flathead screwdriver into the keyhole and slide the main body upward.

Fig. 12



## STEP 6.

### Opening/closing the cover (Fig. 13)

Place the key into the keyhole on the top of the dispenser. Holding the cover, open it toward you.

Return the cover to its original position and press it until it snaps into place.

Fig. 13

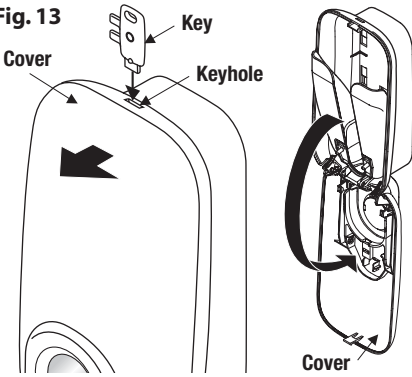
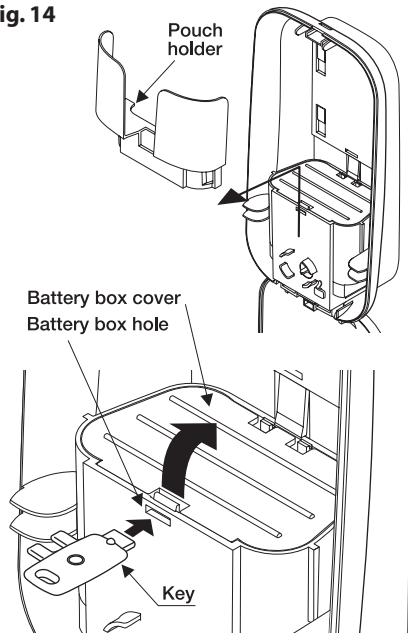


Fig. 14



## STEP 7.

### Installing/replacing batteries for sensor models (Fig. 14)

1. Open the cover. Remove the pouch holder.
2. Place the key into the battery box hole to remove the battery box cover.
3. Install four new C-cell batteries in proper +/- orientation.

*NOTE: Supplied batteries are intended for checking operational status only. Install new batteries before operating. If the unit will be dormant for some time, remove batteries and store properly. Immediately remove batteries and replace when the red LED flashes.*

## STEP 8.

### Installing/replacing Soap/Sanitizer pouches for manual units (Fig. 15)

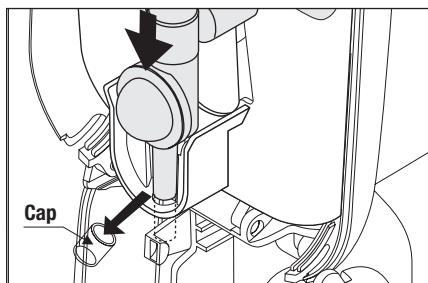
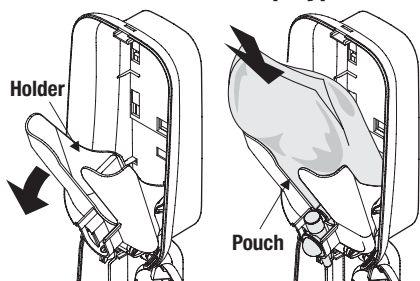
1. Open the cover and remove the pouch from the dispenser.
2. Place the new pouch in the holder.
3. Remove the cap from the pump.
4. Close the cover.

### Installing/replacing Soap Pouches for Sensor Units (Fig. 16)

1. Open the cover and remove the pouch from the dispenser.
2. Place the new pouch in the holder.
3. Set the pouch pump in the battery box.
4. Remove the cap from the pouch pump.
5. Close the cover.

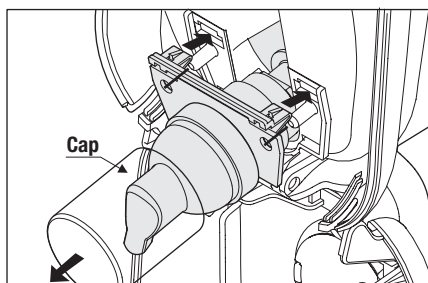
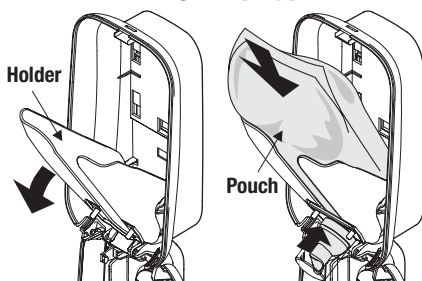
Fig. 15

### Sanitizer/Soap Type



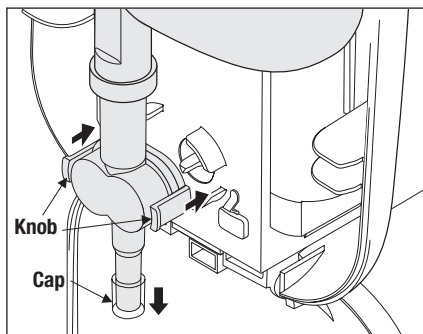
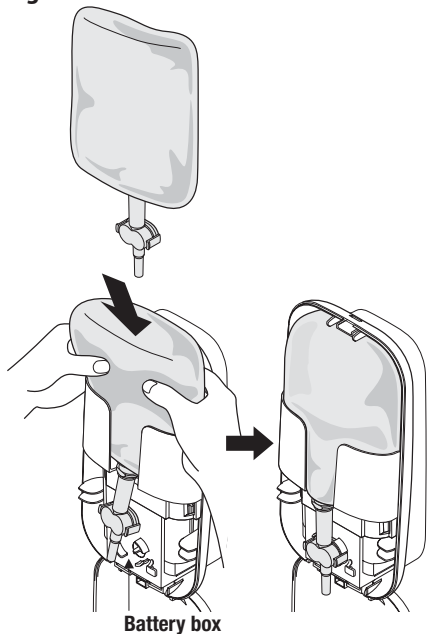
**How to set the liquid and spray pump**  
Insert the nozzle into the holder hole.

### Foaming Soap Type



**How to set the foam pump**  
Place pouch into holder, align nozzle with pins and snap into position as shown.

Fig. 16



**How to set the pump**  
Hold the knob and remove the cap. While holding the pump knob, press it to the set position until it clicks.

## OPERATION

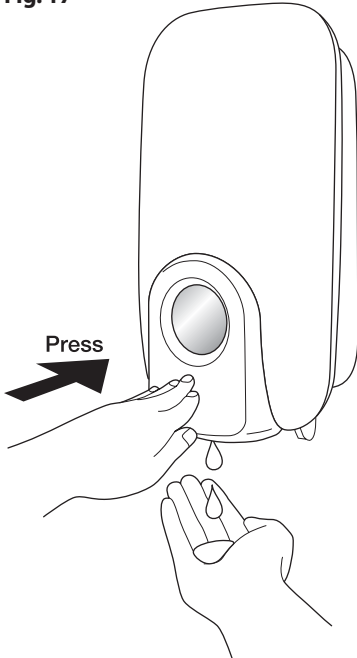
### STEP 1.

#### Operating instructions for manual models (Fig. 17)

Press the lever to dispense the soap or sanitizer onto hands.

*NOTE: After the pouch is installed, liquid may not dispense immediately. To prime the unit, pump the lever until it dispenses. Do not pump violently.*

Fig. 17



### STEP 2.

#### Mode setting for Sensor Models (Fig. 18)

Dispensing times can be adjusted to any of three modes.

1. Open the cover.
2. Pull out mode switch cover.
3. Using a screwdriver or the tip of a pen, switch the mode switch to the desired setting. The indicator lamp will blink according to the mode selected.

Dispensing Mode	Long	Short	Medium
Position of Mode Switch	Left	Middle	Right
Indicator Lamp	Blink 1X	Blink 2X	Blink 3X

Place your hands under the dispenser to activate the sensor. For multiple soap applications, remove hands and place again under the unit to re-activate.

#### Sensor Model features:

**Sensor:** Recognizes hands so there is no need to touch the unit.

**Safety switch:** Open the cover, set the power to OFF and the unit will no longer dispense.

**Pilot lamp:** When the sensor recognizes a user's hands, the red LED will light. When the batteries lose power, the red LED light flashes.

**Key:** Use the special key to open/close the dispenser cover.

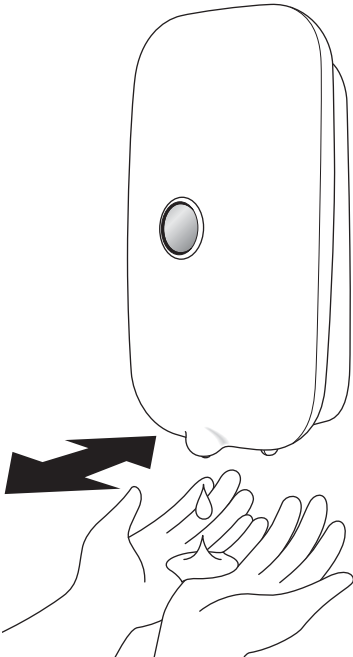
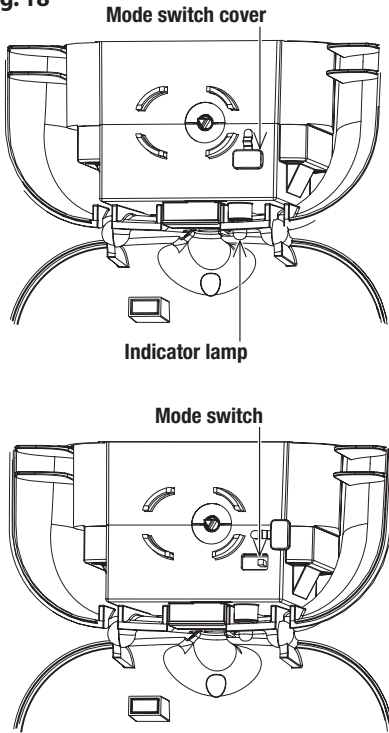
#### Precautions

- Before using the dispenser, thoroughly read the "Precautions" attached to the liquid products.
- Immediately clean any spill on the floor to help avoid falling, injuries or other hazards.



## MAINTENANCE

Fig. 18



### STEP 1.

#### Cleaning the unit body

To ensure longevity, carry out periodic maintenance.

For standard cleaning, wipe off dirt with soft, dry cloth.

For dispensers that are very dirty, wipe with a wet, soapy cloth.

*DO NOT USE: Thinner, benzene, alcohol, petroleum, powder soap, polishing powder, detergent other than neutral detergent, boiling water, acids, alkaline materials, scrub brushes, etc.*

### STEP 2.

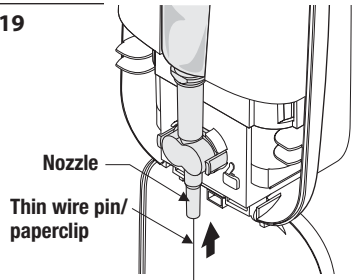
#### Cleaning the nozzle of Sensor Models (Fig. 19)

A clogged nozzle may result in poor dispensing or malfunction.

To clean the nozzle:

1. Open the cover and clear the dispensing hole at the end of the nozzle with a thin wire pin (less than 0.5 mm) – paper clips work well.
2. Close the cover.
3. Check if the unit dispenses properly. If the unit does not dispense properly, replace the pouch.

Fig. 19



## MAINTENANCE

### STEP 3.

#### **Cleaning the nozzle of Manual Models (Fig. 20)**

A clogged nozzle may result in poor dispensing or malfunction.

To clean the nozzle:

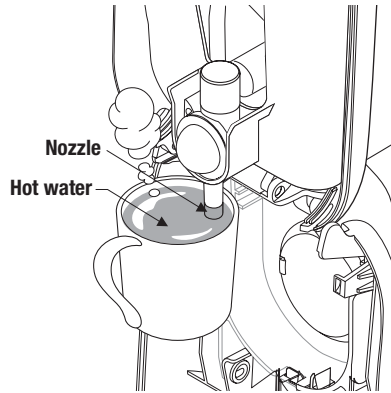
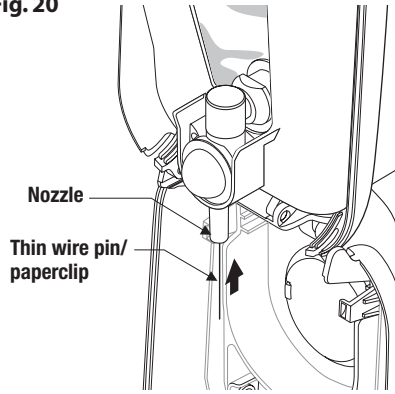
#### **Soap**

1. Open the cover and clear the dispensing hole at the end of the nozzle with a thin wire pin (less than 0.5 mm) – paper clips work well.
2. Close the cover.
3. Check if the unit dispenses properly. If the unit does not dispense properly, replace the pouch.

#### **Sanitizer**

1. Open the cover and soak only the nozzle in hot water for approximately two minutes.
2. If the clog is still visible, clear the dispensing hole at the end of the nozzle with a thin wire pin (less than 0.5 mm) – paperclips work well.
3. Close the cover and test again.
4. If the unit does not dispense properly, replace the pouch.

**Fig. 20**



## TROUBLESHOOTING

### Before calling for repair of Sensor Models

**Problem: The unit does not operate**

1. Check if the unit is securely closed
2. Check if pump is securely set
3. Check if the batteries need replacement (flashing red LED)

**Problem: Liquid is not dispensed**

1. Check if the liquid has run out
2. Check if nozzle is clogged

### Before calling for repair of Manual Models

**Problem: The unit does not operate**

1. Check if the liquid has run out
2. Check if nozzle is clogged

**If trouble continues, call 877-752-6726.**

## EMERGENCY MEASURES

Take emergency measures listed on pouch label according to chemical being used.

**Eye contact:** Flush eyes with water for a minimum of 15 minutes and consult a physician immediately.

**Ingestion:** Drink water to induce vomiting and consult a physician immediately.

**Inhalation:** Get fresh air immediately. If condition does not improve, consult a physician immediately.

## CONSUMABLES REFERENCE CHART

Product No.	Description	For use with	Order No.
SJS-1001	Manual Wall-Mount Liquid Soap	SJS-1000	5700200
SJS-1001-1	Manual Wall-Mount Liquid Soap with Moisturizers	SJS-1000	5700201
SJS-1051	Sensor Wall-Mount Liquid Soap	SJS-1050	5700400
SJS-1051-1	Sensor Wall-Mount Liquid Soap with Moisturizers	SJS-1050	5700401
SJS-1101	Manual Wall-Mount Foam Soap	SJS-1100	5700500
SJS-1101-1	Manual Wall-Mount Foam Soap with Moisturizers	SJS-1100	5700501
SJS-1401	Manual Alcohol Hand Sanitizer	SJS-1400	5700600

# SLOAN®

The information contained in this document is  
subject to change without notice.

Sloan HEALTHMINDER™ Products  
10500 Seymour Avenue  
Franklin Park, IL 60131-1259  
Phone: 877-652-6726  
Fax: 800-447-8329  
[www.sloanvalve.com](http://www.sloanvalve.com)

©2009 Sloan Valve Company  
Printed in the U.S.A. JSD6031.1 01/09