

CODE NUMBER

3453244

DESCRIPTION

0.125 gpf, Rough Brass Finish, Fixture Connection Rear Spud, Single Flush, 2-10.75 L Dimension, Sensor-Operated with Modular Plug, Royal® Concealed Sensor Hardwired Urinal Flushometer.

DETAILS

- Flush Volume: 0.125 gpf (0.5 Lpf)
- Finish: Rough Brass (RB)
- Valve: Diaphragm
- Valve Body Material: Semi-red Brass
- Fixture Type: Urinal
- Fixture Connection: Rear Spud
- Rough-In Dimension: 13 ½" (343mm)
- Spud Coupling: ¾" (19mm)
- Supply Pipe: ¾" (19mm)
- L Dimension: 2"-10 ¾" (51-273mm) (2-10-3/4-LDIM)

FEATURES

- Flush volumes start as low as a pint of water
- Flush accuracy is controlled by CID™ technology, enhancing water efficiency
- Durability is facilitated with high copper, low zinc brass castings for dezincification resistance
- Adjustable tailpiece
- PERMEX synthetic rubber diaphragm with Dual Filtered Fixed Bypass
- Valve body, Cover, Tailpiece and Control Stop shall be in compliance with ASTM Alloy Classification for Semi-Red Brass
- Valve shall be in compliance to the applicable sections of ASSE 1037.

VIDEOS

- ▶ [ESS Flushometer](#)



COMPLIANCES & CERTIFICATIONS



(ADA Compliant, cUPC Certified, BAA Compliant, UL Certified)

RECOMMENDED SPECIFICATION

Valve Body, Cover, Tailpiece and Control Stop shall be in conformance with ASTM Alloy Classification for Semi- Red Brass. Valve shall be in compliance with the applicable sections of ASSE 1037 and ANSI/ASME 112.19.2.

VALVE OPERATING PRESSURE (FLOWING)

15-80 PSI (103-552 kPa). Specific fixtures may require greater minimum flowing pressure - consult manufacturer requirements.

DOWNLOADS

- [Sloan Concealed Installation Instructions](#)
- [Royal ESS Concealed and Exposed Installation Instructions](#)
- [Royal 152/195 ESS TMO \(Spanish\) Installation Instructions](#)
- [Royal 152/195 ESS TMO Installation Instructions](#)
- [Royal 152/195 SWB ESS TMO \(Spanish\) Installation Instructions](#)
- [Optima Surface Mounted Sensor Activated Royal/Sloan Concealed Installation Instructions](#)
- [Royal 140/152/153/195 ESS TMO SWB Installation Instructions](#)
- [Sloan Concealed Spanish Installation Instructions](#)
- [Royal ESS Concealed with Wall Box Installation Instructions](#)
- [Control Stop Repair and Maintenance Guide](#)
- [Flush Connections Flanges Repair and Maintenance Guide](#)
- [Tail Piece Repair and Maintenance Guide](#)
- [Optima ESS Repair and Maintenance Guide](#)
- [Additional Downloads](#)

NOTES

All information contained within this document subject to change without notice.

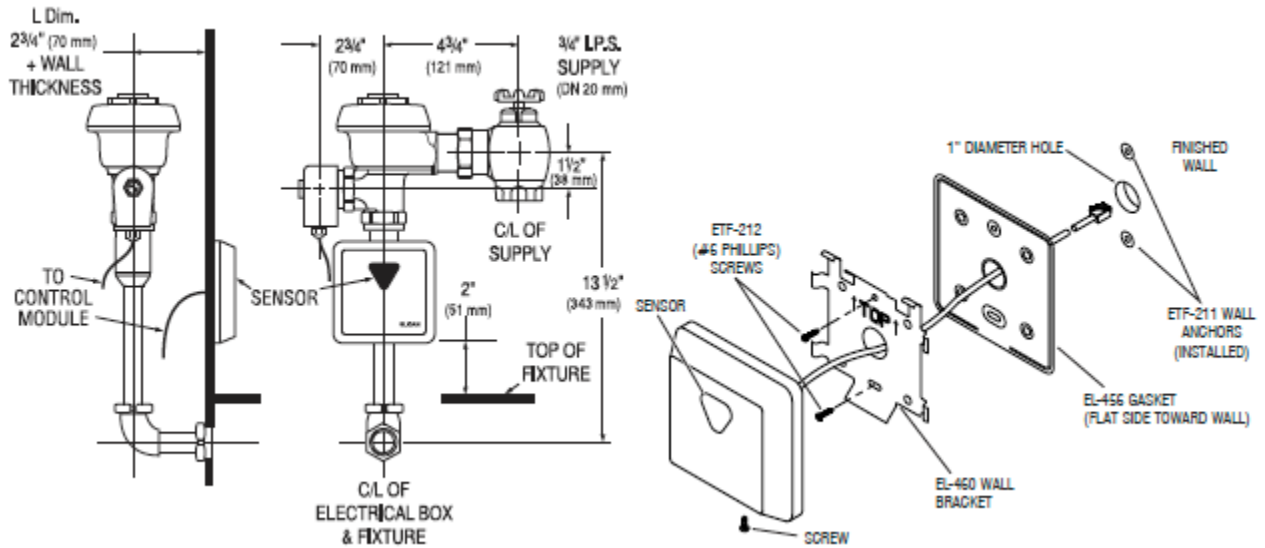
Looking for other variations of the ROYAL 195 ESS product? [View the general spec sheet with all options.](#)

Sloan 10500 Seymour Ave, Franklin Park, IL 60131

Phone: 800.982.5839 • Fax: 800.447.8329 • sloan.com

Find a compatible [urinal](#) for this flushometer.
Find a compatible [water closet](#) for this flushometer.

ROUGH-IN



Sloan 10500 Seymour Ave, Franklin Park, IL 60131
Phone: 800.982.5839 • Fax: 800.447.8329 • sloan.com