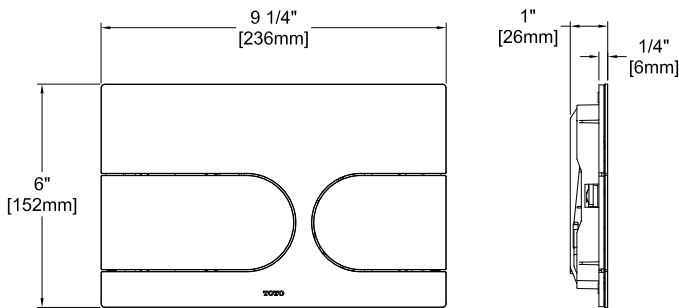


YT990



INSTALLATION NOTES

- WT175MA
 Adequate structural bracing is required. Framing support should be capable of supporting 880 lbs load without damage to the wall. See installation manual for more details.

Recommend to use plywood with a minimum thickness of 1/2" for the wall panel.

For use with potable water only. Do not use with recycled water.

It is highly recommended to use a surge protector to prevent damage in the event of a power surge. The following factors may affect IR signal strength and top unit operation: product and remote control location, room size, shape, construction materials, and degree of darkness (color) of ceiling and walls.

DIMENSIONS

WT175MA

