

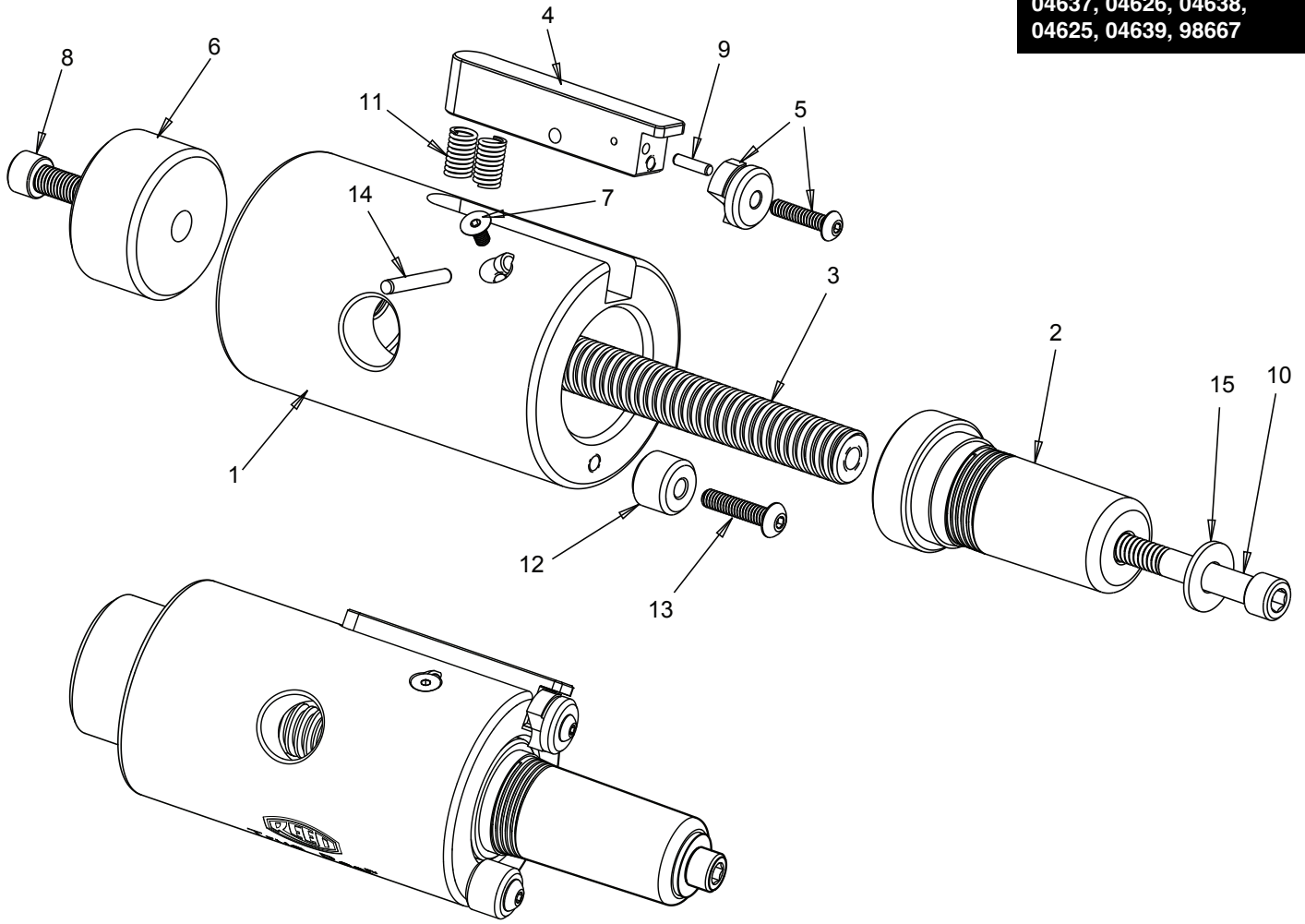


PIPE TOOLS & VISES
SINCE 1896

True Peel® PE Prep Tools

Replacement Parts

Applies to: 04634, 04635,
04624, 04627, 04636,
04637, 04626, 04638,
04625, 04639, 98667



Ref.		1/2 CTS SDR7	3/4 IPS DR11	1 CTS SDR11.5	1 CTS SDR7	1 IPS DR11	1 IPS DR7	1-1/4 CTS SDR11	1-1/4 IPS DR11	1-1/4 IPS DR10	2 IPS DR11	
No.	Description	Qty.	04634	04635	04636	04627	04637	04624	04625	04638	04626	04639
1	TOOL BODY	1	98649	98650	98651	98651	98652	98652	98668	98653	98653	98654
2	MANDREL	1	98655	98656	98659	98673	98662	98665	98669	98664	98672	98660
3	FEED SCREW	1	98648	98661	98661	98661	98661	98661	98661	98663	98663	98647
4	BLADE MOUNT	1	98645	98645	98645	98645	98645	98645	98645	98645	98645	98645
5	BLADE & SCREW	1	98667	98667	98667	98667	98667	98667	98667	98667	98667	98667
6	KNOB	1	98644	98644	98644	98644	98644	98644	98644	98644	98644	98644
7	5-40 FHCS	1	35245	35245	35245	35245	35245	35245	35245	35245	35245	35245
8	1/4-20 SHCS	1	35246	35246	35246	35246	35246	35246	35246	35246	35246	35246
9	3/32 DIA PIN	1	35250	35250	35250	35250	35250	35250	35250	35250	35250	35250
10	SHCS	1	30259	35251	35251	35251	35251	35251	35251	35251	35251	35255
11	SPRING	2	35253	35253	35253	35253	35253	35253	35253	35253	35253	35253
12	GUIDE	1	98666	98666	98666	98666	98666	98666	98666	98666	98666	98666
13	BTTN HD CAP SCR 8-32	1	35254	35254	35254	35254	35254	35254	35254	35254	35254	35254
14	1/8 DIA PIN	1	35243	35252	35252	35252	35252	35252	35252	35252	35252	35252
15	WASHER	1	—	30098	30098	30098	30098	30098	30098	30098	30098	30098

Reed Manufacturing Company
1425 West 8th Street
Erie, PA 16502 USA



Phone: 800-666-3691 or 814-452-3691
Fax: 800-456-1697 or 814-455-1697
www.reedmfgco.com