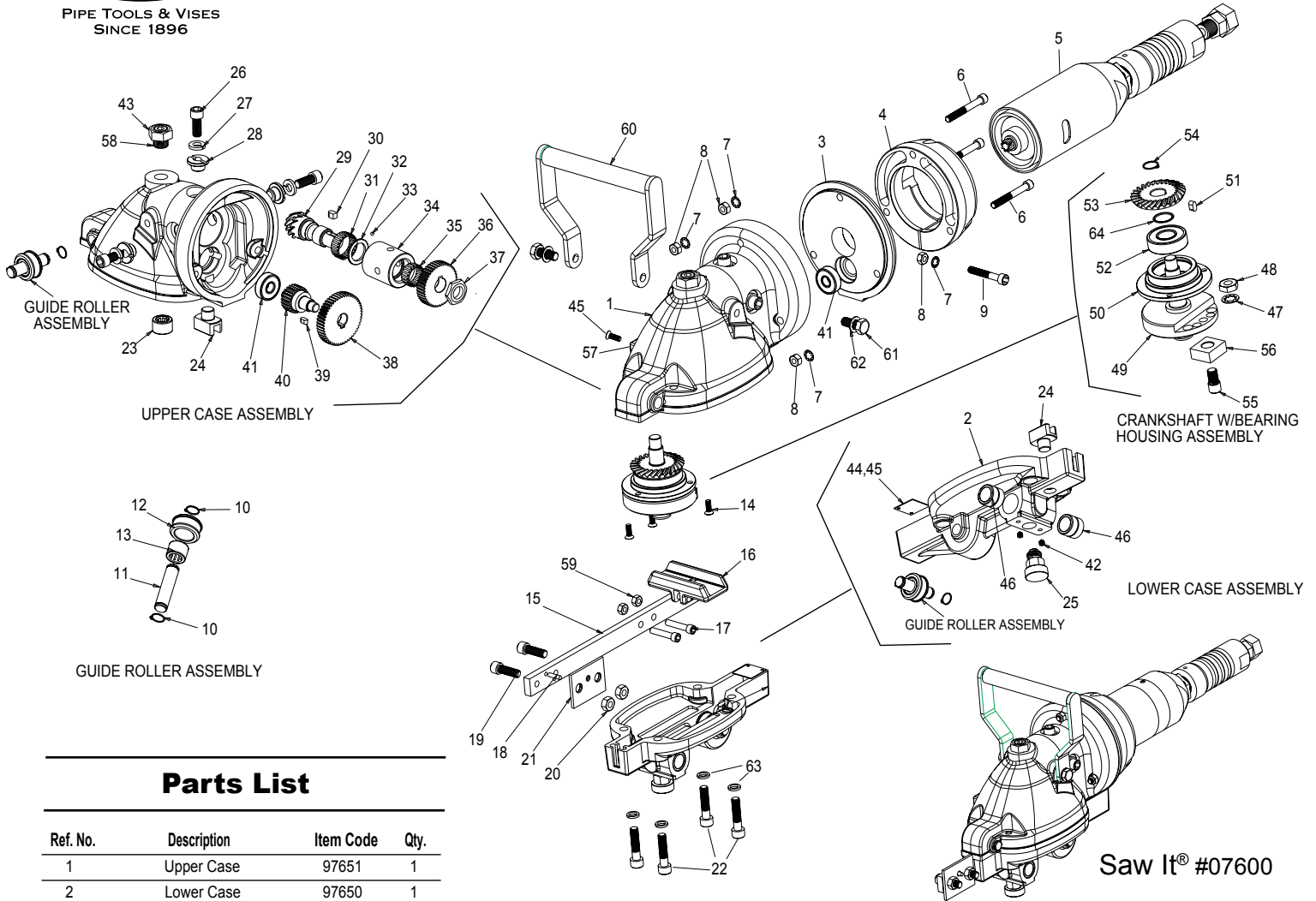




PIPE TOOLS & VISES  
SINCE 1896

# Saw It® (SAWIT model)

## Replacement Parts



### Parts List

Ref. No.	Description	Item Code	Qty.
1	Upper Case	97651	1
2	Lower Case	97650	1
3	End Cover	97653	1
4	End Clamp	97652	1
5	Air Motor Assembly	97730*	1
6	Bolt, SHCS	37667	3
7	Lock Washer	37655	4
8	Hex Nut	37650	4
9	Bolt, SHCS	37666	1
10	Snap Ring	47668	4
11	Guide Shaft	97670	2
12	Guide Roller	97668	2
13	Needle Bearing	47673	2
14	Screw, FHCS	37669	3
15	Rail	97676	1
16	Cam Bracket	97654	1
17	Bolt, SHCS	30302	2
18	Dowel Pin	37659	1
19	Bolt, SHCS	37671	2
20	Nut, Hex	30176	2
21	Clamp Plate	97666	1
22	Bolt, SHCS	37652	4
23	Needle Bearing	47674	1

Ref. No.	Description	Item Code	Qty.
24	Guide Bearing	97671	2
25	Spring Plunger	97678	1
26	Socket Head Cap Screw	32910	3
27	Lock Washer	37657	3
28	Offset Washer	97667	3
29	Gear Shaft	97660	1
30	Shaft Key	37660	1
31	Needle Bearing	47671	1
32	Thrust Washer	37658	1
33	Ball Bearing	37663	22
34	Bearing Housing	97675	1
35	Needle Bearing	47672	1
36	Spur Gear	97662	1
37	Jam Nut	37654	1
38	Helical Gear	97664	1
39	Shaft Key	37662	1
40	Reduction Gear	97663	1
41	Radial Bearing	47670	2
42	Flathead Screw	37673	2
43	Jam Nut	30058	1
44	Cover Plate	97677	1

Ref. No.	Description	Item Code	Qty.
45	Drive Pin	37710	4
46	Handle Bushing	97672	2
47	Lock Washer	37656	1
48	Jam Nut	37653	1
49	Crank Assembly	97674	1
50	Bearing Retainer	97673	1
51	Shaft Key	37661	1
52	Bearing	47669	1
53	Bevel Gear	97661	1
54	Snap Ring	47667	1
55	Bolt, SHCS	97681	1
56	Crank Bearing	97669	1
57	Name Plate	97680	1
58	Set Screw	37739	1
59	Hex Nut	37674	2
60	Bridge Type Handle	97750	1
61	Hex Bolt	37741	2
62	Lock Washer	37742	2
63	Lock Washer	37754	4
64	Internal Retaining Ring	47686	1

\*See side 2 for 97730 parts

Saw It® #07600