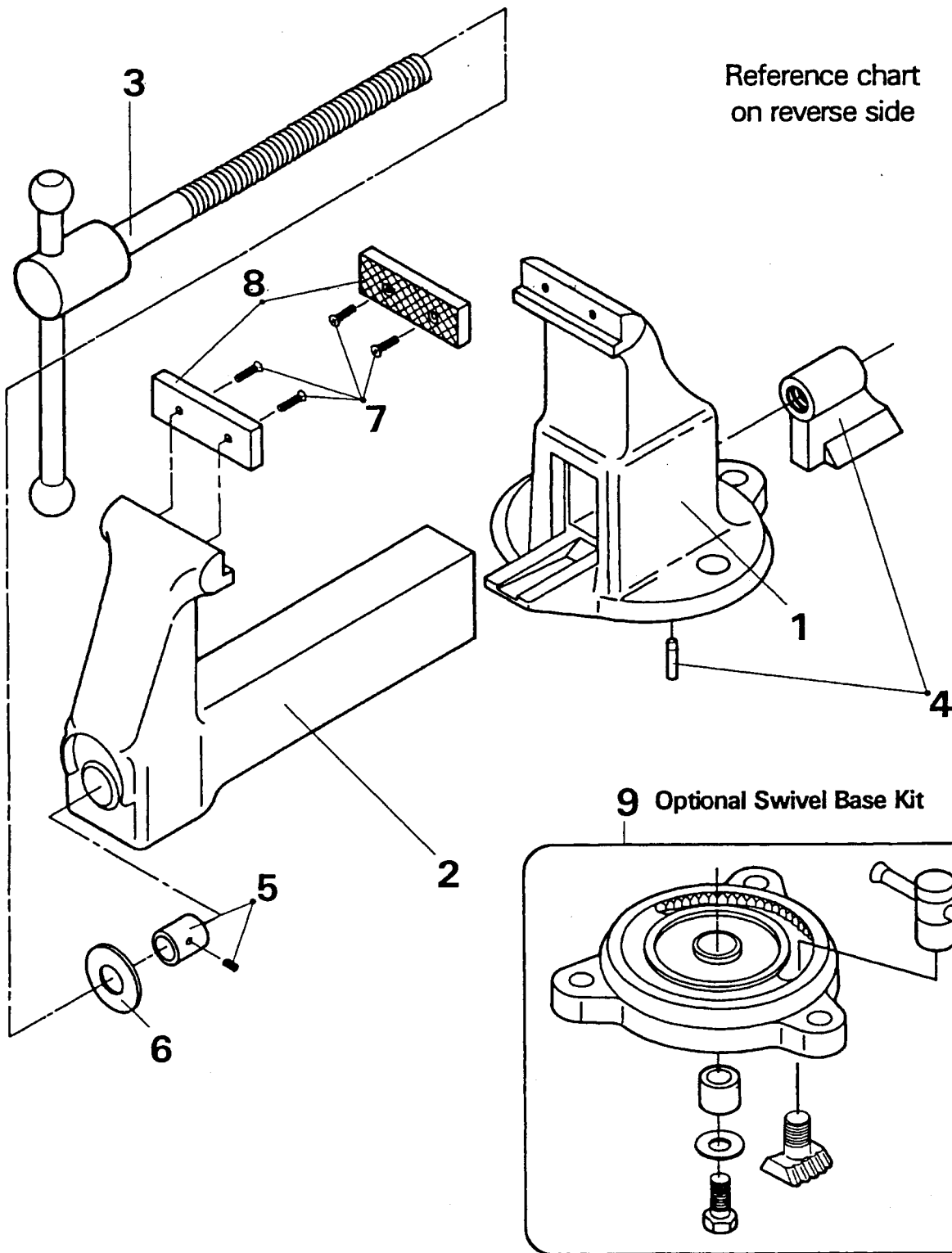




Machinists' Vises (Stationary Base)

Replacement Parts



Machinists' Vises (Stationary Base)

Reference Chart

Ref #	Description	303N		303 1/2N		304N		304 1/2N	
		Item Code	Catalog Number	Item Code	Catalog Number	Item Code	Catalog Number	Item Code	Catalog Number
1	Body	91801	303B	91802	303 1/2B	91803	304B	91804	304 1/2B
2	Sliding Bar	91815	303SB	91816	303 1/2SB	91817	304SB	91818	304 1/2SB
3	Handle & Screw	91822	303HS	91823	303 1/2HS	91824	304HS	91825	304 1/2HS
4	Main Vise Nut & Pin	91843	303NT	91844	303 1/2NT	91845	304NT	91845	304NT
5	Collar & Set Screw	91808	303C	91809	303 1/2C	91810	304C	91810	304C
6	Thrust Washer	91850	303TW	91851	303 1/2TW	91852	304TW	91852	304TW
7	Jaw Facing Screws	01365	303JFSCR	01365	303JFSCR	01365	303JFSCR	01365	303JFSCR
8	Jaw Facings (Includes Screws)	91829	303JF	91830	303 1/2JF	91831	304JF	91832	304 1/2JF
9	Optional Swivel Base Kit	01490	303K	01491	303 1/2K	01492	304K	01493	304 1/2K
Ref #	Description	305N		306N		308N			
		Item Code	Catalog Number	Item Code	Catalog Number	Item Code	Catalog Number		
1	Body	91805	305B	91806	306B	91807	308B		
2	Sliding Bar	91819	305SB	91820	306SB	91821	308SB		
3	Handle & Screw	91826	305HS	91827	306HS	91828	308HS		
4	Main Vise Nut & Pin	91847	305NT	91848	306NT	91849	308NT		
5	Collar & Set Screw	91812	305C	91813	306C	91814	308C		
6	Thrust Washer	91903	305TW	91904	306TW	91905	308TW		
7	Jaw Facing Screws	01365	303JFSCR	01365	303JFSCR	01365	303JFSCR		
8	Jaw Facings (Includes Screws)	91833	305JF	91834	306JF	91835	308JF		
9	Optional Swivel Base Kit	01494	305K	01495	306K	01496	308K		