

## Carlyle® II WASHLET®+ S7 One-Piece Toilet - 1.28 GPF

### FEATURES

- Concealed supply connection for seamless installation
- High-efficiency TORNADO FLUSH® system - 1.28 GPF (4.8 LPF)
- CEFIONTECT® ceramic glaze minimizes waste from sticking to porous ceramic surfaces
- Decorative one-piece with skirted design
- Universal Height
- Chrome plated trip lever
- 12" Rough-in
- Elongated front bowl and WASHLET+ S7 and tank set
- EWATER+® auto-cleans wand and bowl after every use
- PREMIST® automatically mists the bowl before each use
- Multifunction pearl white block-style remote control
- Night light
- Auto flush available as upgrade



### MODELS

- **MW6144726CEFGA (#01)**  
With CEFIONTECT ceramic glaze, WASHLET+ S7 with contemporary design and Auto Flush
  - **CST614CEFGAT40**  
Elongated toilet with CEFIONTECT
  - **SW4726AT40**  
WASHLET+ S7
  - **THU857**  
Auto Flush kit
- **MW6144726CEFG (#01)**  
Same as MW6144726CEFGA without Auto Flush

### OPTIONAL COMPONENTS

- **TSU01W.10R**  
10" Unifit Rough-In
- **TSU01W.14R**  
14" Unifit Rough-In
- **THU808(#01, #03, #11, #12, #51, #BN, #PN, #RB)-A**  
Trip Lever (Cotton, Bone, Colonial White, Sedona Beige, Ebony, Brushed Nickel, Polished Nickel, Oil Rubbed Bronze)

### COLORS/FINISHES

- #01 Cotton

- TORNADO FLUSH
- EWATER+
- CEFIONTECT
- Auto Flush
- UNIVERSAL HEIGHT

### PRODUCT SPECIFICATION

The one-piece high-efficiency TORNADO FLUSH toilet shall be 1.28 GPF (4.8 LPF). Universal Height Toilet with CEFIONTECT glaze finish. Toilet shall have high-profile tank, elongated front bowl and chrome trip lever. Toilet shall be TOTO Model MW6144726CEFG\_\_#01.

See **SW4726AT40 Specification Sheet for details on included WASHLET.**

### CODES/STANDARDS

- Meets and exceeds ASME A112.19.2/CSA B45.1
- Certifications: IAPMO (cUPC®), EPA WaterSense®, State of Massachusetts, City of Los Angeles, and others
- Code compliance: UPC, IPC, NSPC, NPC Canada, and others
- Legislative Compliance: California AB715, California Green Building Code, City of Los Angeles Water Efficiency Ordinance, and others
- ADA compliant for residential use with autoflush feature model, or with trip lever located on the approach side
- Complies with CA Prop 65 warning requirements



# MW6144726CEFG(A)

Carlyle® II WASHLET®+ S7  
One-Piece Toilet - 1.28 GPF

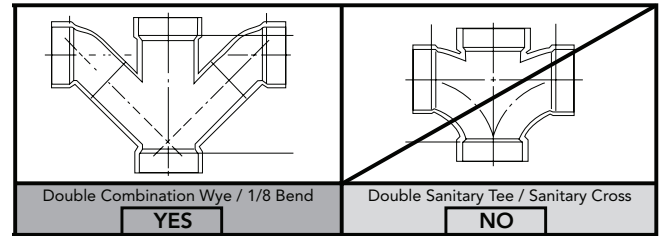
## SPECIFICATIONS

<b>Water Use</b>	1.28 GPF (4.8 LPF)
<b>Flush System</b>	TORNADO FLUSH®
<b>Min. Water Pressure</b>	8 psi (Flowing)
<b>Water Surface</b>	6-7/8" x 9-3/4"
<b>Trap Diameter</b>	2-1/8"
<b>Rough-in</b>	12" (10" and 14" options available)
<b>Trap Seal</b>	2-1/8"
<b>Warranty</b>	One Year Limited Warranty
<b>Material</b>	Vitreous China
<b>Shipping Weight</b>	CST614CEFGAT40: 106 lbs SW4726AT40: 14.5 lbs
<b>Shipping Dimensions</b>	CST614CEFGAT40 30" L x 18-1/4" W x 28-1/4" H1 x 20-3/4" H2 SW4726AT40 23-3/8" L x 17-5/8" W x 6-1/4" H

See SW4726AT40 Specification Sheet for details on included WASHLET.

## INSTALLATION NOTES

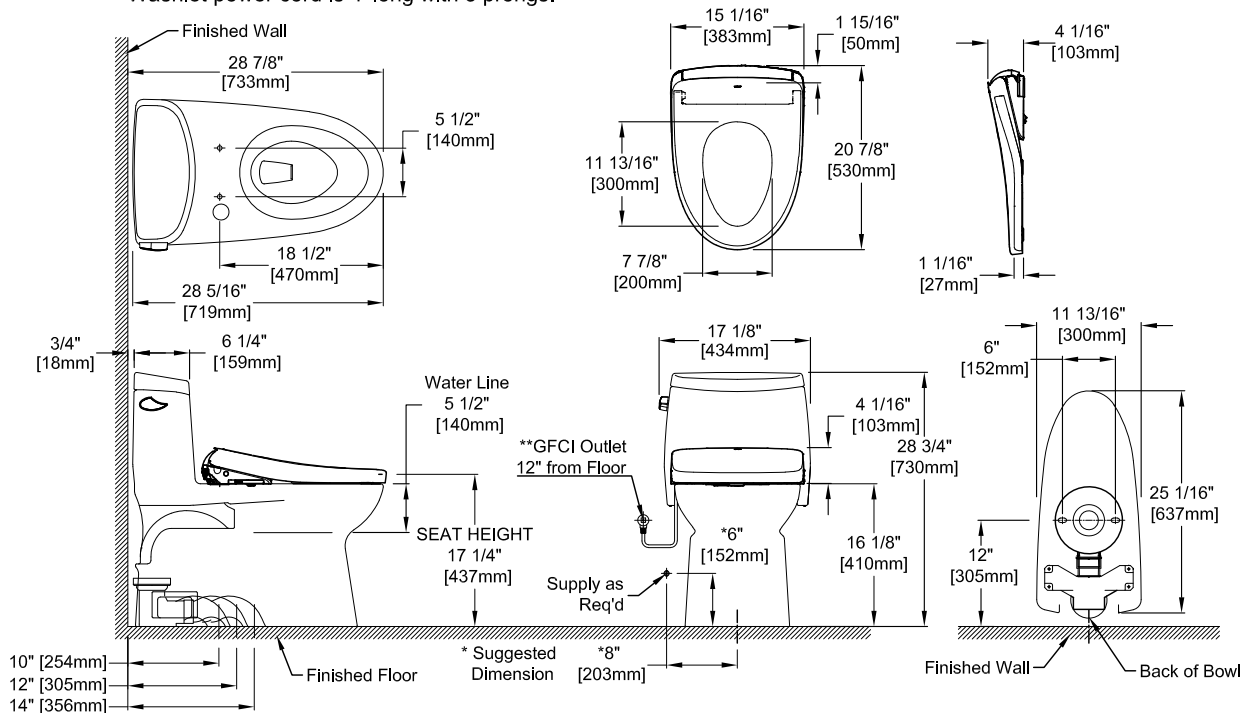
Back-to-Back Toilet Installations:  
TOTO recommends the use of a nationally listed, double sanitary tee-wye only, in vertical waste stacks, in accordance with the stipulations noted in the majority of nationally recognized plumbing codes.



To maintain adequate wall gap between the back of the tank and wall, mount the floor flange at a nominal 12" rough-in distance.

## DIMENSIONS

\*\*GFCI outlet of 120V, 15A  
Washlet power cord is 4' long with 3 prongs.



**TOTO**®

These dimensions and specifications are subject to change without notice