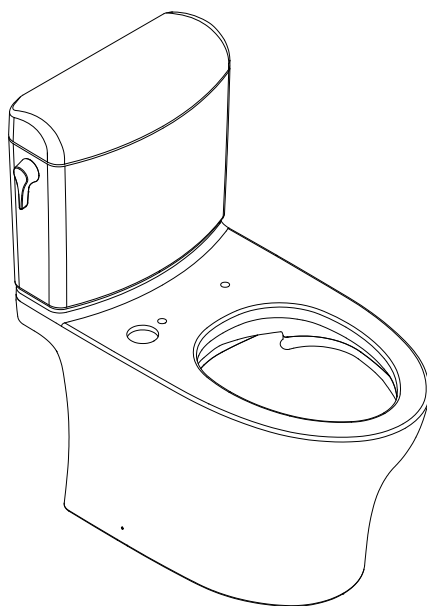


## Dual-flush Toilet

Inodoro de doble descarga

Toilettes à double chasse d'eau



**CST436**  
**CST448**

- \* Actual parts may appear different from drawing according to the model.
- \* El producto real puede variar en apariencia dependiendo del modelo.
- \* Le produit réel peut varier en apparence en fonction du modèle.

### Warranty Registration and Inquiry

For product warranty registration, TOTO U.S.A. Inc. recommends online warranty registration. Please visit our web site <http://www.totousa.com>. If you have questions regarding warranty policy or coverage, please contact TOTO U.S.A. Inc., Customer Service Department, 1155 Southern Road, Morrow, GA 30260 (888) 295-8134 or (678) 466-1300 when calling from outside of U.S.A.

## TABLE OF CONTENTS

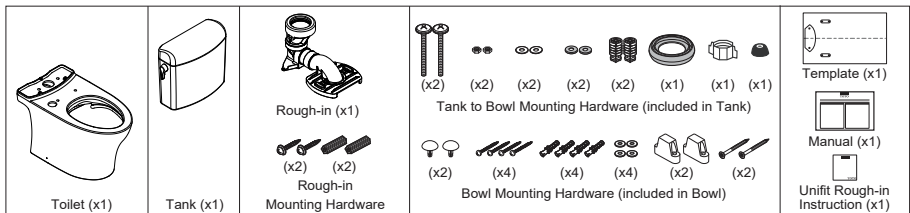
Thanks for Choosing TOTO®! .....	2
Included Parts .....	2
Common Tools Needed .....	2
Before Installation .....	3
Installation Procedure .....	4
Maintenance Instruction .....	7
Care and Cleaning .....	8
Replacing the Fill Valve .....	8
Adjusting the Water Level .....	8
Servicing Fill Valve .....	9
Servicing Flush Tower .....	10
CEFIONTECT® Cleaning Instructions .....	10
Warranty .....	11

## THANKS FOR CHOOSING TOTO!

The mission of TOTO is to provide the world with healthy, hygienic and more comfortable lifestyles. We design every product with the balance of form and function as a guiding principle. Congratulations on your choice.

## INCLUDED PARTS

Check to make sure you have the following parts included in your package\*:



## COMMON TOOLS NEEDED

- |  |   |
|--|---|
| <ul style="list-style-type: none"> <li>■ 10" adjustable wrench</li> <li>■ Carpenters' level</li> <li>■ Tape measure</li> <li>■ Hand pliers</li> <li>■ Flat head screwdriver</li> <li>■ Phillips screwdriver</li> <li>■ Pencil</li> </ul> | <ul style="list-style-type: none"> <li>■ Putty knife</li> <li>■ Drill</li> <li>■ Drill bits (mounting block)</li> </ul> <p>For wood floor installation:<br/>- 11/16" drill bit</p> <p>For concrete/tile installation:<br/>- 5/16" drill bit</p> |
|--|---|

### MATERIALS REQUIRED:

(Not Included)

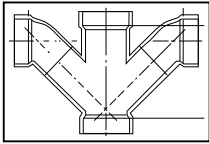
- Flexible supply hose
- Angle stop valve (1/2" compression to 7/8" Ballcock)
- Wax ring
- Toilet Seat

## BEFORE INSTALLATION

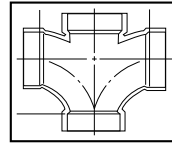
- Read these instructions thoroughly before beginning work.
- Please leave instructions for customers. These instructions contain maintenance and warranty information.
- If necessary, remove the existing toilet and if new construction, purge the supply line.

### NOTICE

Due to the powerful performance of our Tornado, G-Max, E-Max and Power Gravity flushing systems, they are not specified for back-to-back installations. The only means of installing these toilets in a back-to-back situation is when the toilet drain connections incorporate a WYE fitting. Please contact your builder or contractor prior to this installation.



Double Combination WYE / 1/8 Bend  
**YES**

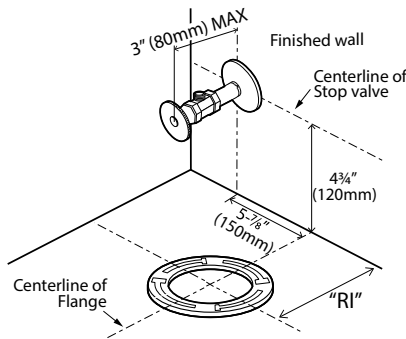


Double Sanitary Tee / Sanitary Cross  
**NO**

### Water supply shut-off valve installation recommendations

Follow these recommendations to ensure an optimal and trouble-free installation with a neat and professional appearance.

<b>Location</b> (From floor and left of center of floor flange)	4-3/4" x 4-3/4" (120mm x 120mm)
<b>Valve type</b>	Angle stop type valve with supply connection facing upward, inward, or downward <b>NOTE:</b> Straight stop type valve, or valve with supply connection on front of angle stop, is not recommended
<b>Maximum length</b>	Angle stop must not protrude more than 3" (80mm) from wall



ENGLISH

## INSTALLATION PROCEDURE

ENGLISH

1. Open the Unifit Rough-In packaging. Follow the Installation instruction to complete the installation (ill. 1).
2. Place the template into position and follow its instructions to prepare for installing the toilet bowl.

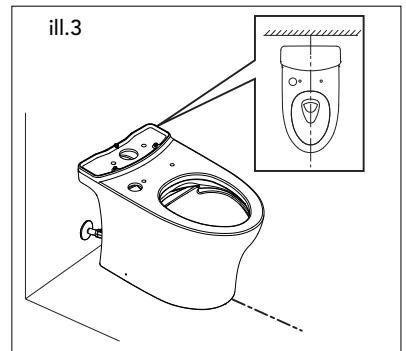
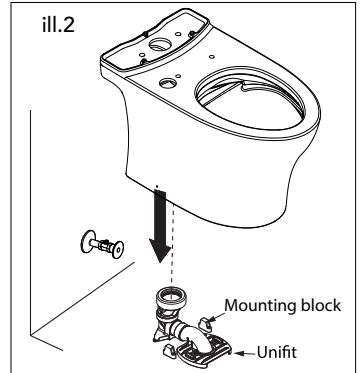
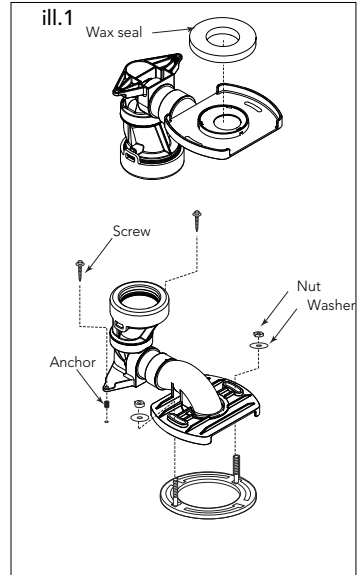
**NOTICE** Do not move the Unifit Rough-In on the Floor Flange after wax seal is set. If this notice is disregarded, discard the wax ring and replace with new wax ring.

3. Place the toilet bowl over the Unifit Rough-In and the two mounting blocks, by aligning the bowl outlet with the Unifit Rough-In opening (ill. 2).

**NOTICE** Insert the toilet all the way into position. If this notice is disregarded, leakage may result.

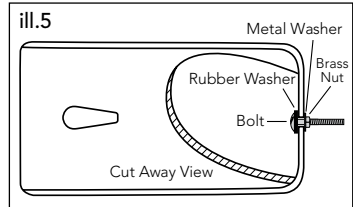
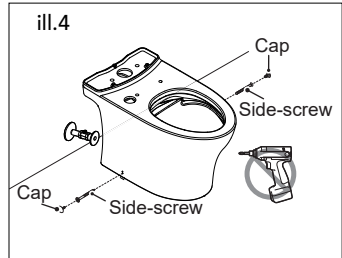
**NOTICE** Check for rocking. If needed, use shims to prevent the toilet from rocking.

4. Align the toilet perpendicular to the back wall and parallel to side walls; it should not sit crooked or diagonal (ill. 3).



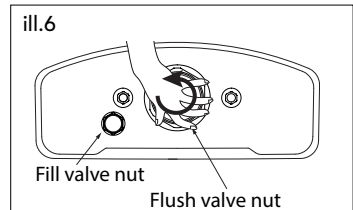
## INSTALLATION PROCEDURE

5. Install the side screws to the mounting blocks. Cover the screw head with the provided screw caps (ill. 4).
6. Install the tank-to-bowl mounting hardware to the tank (ill. 5). Lay the tank down on its back. Place a rubber washer onto a bolt. Reach inside the tank and position the bolt through one of the holes in the bottom of the tank. On the outside of the tank, place a metal washer and nut onto the bolt. Hold the bolt centered in the hole and tighten the nut finger tight. Turn the nut an additional 1/2 turn with a wrench. Repeat this process for the remaining hole in the tank.



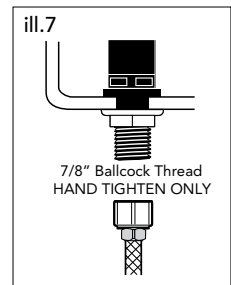
**CAUTION** Do NOT overtighten hardware, as it may break the china and cause personal injury or property damage.

7. Place the tank upside down onto some padding. Inspect the smaller fill valve nut and larger flush valve nut for a secure connection (ill. 6). Try to tighten the nuts with your hands. If loose, tighten the nut hand tight and an additional 1/4 turn for the smaller fill valve nut and an additional 1/2 turn for the larger flush tower nut.



**NOTICE** Make sure that the fill valve does not turn and hit the tank while tightening.

8. Connect the water supply hose to the fill valve threads as seen at the bottom of toilet tank (Ill. 7). Tighten this connection finger tight.



**NOTICE** The water supply hose must be connected to the fill valve BEFORE the tank-to-bowl installation. TOTO recommends using a longer flexible supply hose.

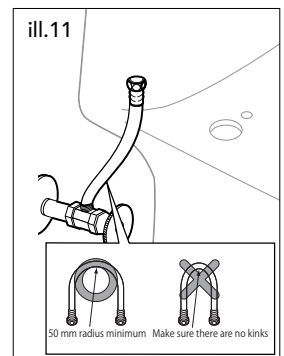
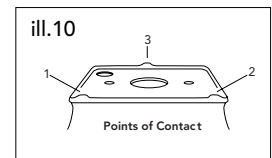
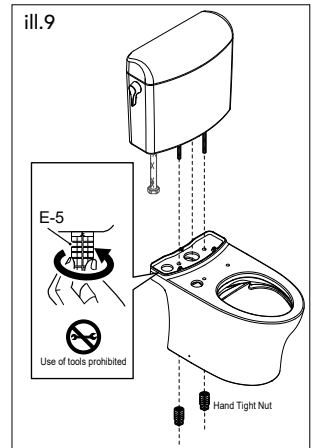
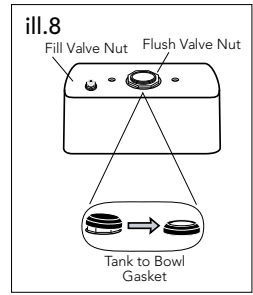
## INSTALLATION PROCEDURE

9. Place the tank-to-bowl gasket onto the flush tower nut (ill. 8). While pressing down, spread the gasket over the nut until the gasket touches the bottom of the tank. A slight gap between the tank bottom and the gasket is allowable.
10. Pick up the tank and carefully guide the water supply hose into the bowl's fill valve hole, align the tank-to-bowl gasket over the inlet of the bowl, and align the tank bolts over the bolt holes of the bowl. (ill.9)
11. Using provided hand-tight nuts, hand tighten the nuts evenly until tank sets snugly on each of the 3 contact points on the bowl (ill. 10). Do not overtighten. Overtightening may break the china and cause personal injury and/or property damage.
12. Flush the water supply line for a few seconds to remove any debris that may enter the new fill valve. (For new home constructions and/or additions, flush the water supply line for more than a minute to help remove any residual PVC adhesives, solder flux, and/ or pipe sealants that were used for the new plumbing.)
13. Install the flexible water supply hose to the angle stop (ill. 11). Make sure that the hose is free of kinks.
14. Carefully place the lid on top of the tank.

NOTE: The water supply pressure should be 20 to 80 psi static.

15. Flush toilet a few times to check for issues and leaks. Make sure **NO WATER LEAK** on bowl and tank.

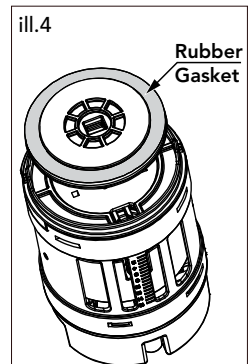
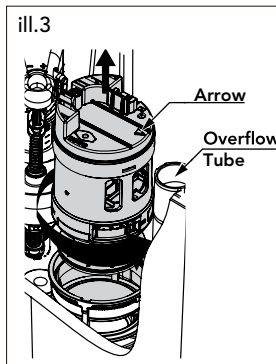
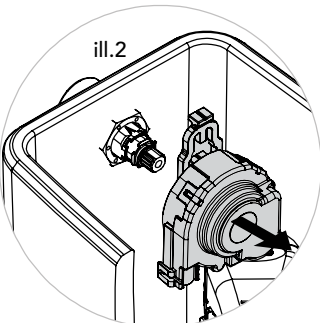
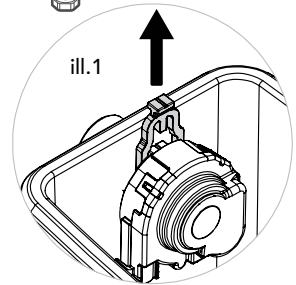
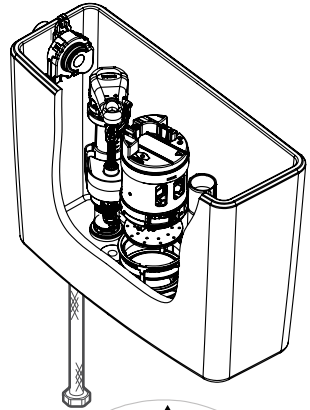
CAUTION: Avoid using a wrench to tighten the connection as you may damage the plastic threads and/or cause the fill valve to rotate inside the tank.



## MAINTENANCE INSTRUCTIONS

### Replacing the Flush Tower

1. Turn off water supply and flush the toilet.
2. Remove the tank lid and place it upside down on a clean surface. Remove the remaining water from tank with a sponge.
3. Pull the clip on top of trip lever gear box as shown. (ill. 1)
4. Pull gear box away. (ill. 2)
5. Rotate flush tower until arrow aligns with overflow tube and then pull up to remove. (ill. 3)
6. Remove the grey rubber seal gasket and rinse under running water to clean. (ill. 4)
7. Place the gasket back on the flush tower.
8. Align and place the flush tower into housing and rotate to lock into place.
9. Replace the trip lever gear box and push down on lever to lock it in place.
10. Carefully install the tank lid back on the tank.
11. Flush the toilet several times making sure the trip lever operates normally.
12. Check the water level in the tank and inspect for signs of any leakage.



## CARE AND CLEANING

Use a detergent or non-abrasive toilet cleaner and a soft bristled plastic brush to clean your toilet. To remove hard water stains, use vinegar or lime dissolving cleaner and a non-scratch scour pad made for porcelain. Allow a little contact time to allow the cleaner to dissolve the buildup.



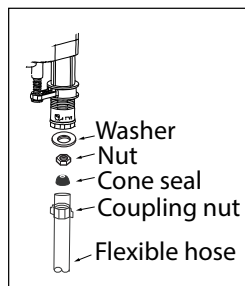
### NOTICE

#### DO NOT USE IN-TANK BOWL CLEANERS.

The use of high concentration of chlorine or chlorine-related products can seriously damage fittings in the tank. This damage can cause leakage and property damage. TOTO shall not be responsible or liable for any tank fitting failure or damage caused by the use of in-tank bowl cleaners.

## REPLACING THE FILL VALVE

1. Shut off the water supply. Flush the toilet and remove any remaining water from the tank. Reverse the tank installation instructions to remove it from the bowl. Remove the refill tube from the overflow tube and fill valve. Note the orientation of the fill valve. Remove the old fill valve.
2. Install new fill valve by sliding the threaded portion of the shaft through the hole in the bottom of tank.
3. Thread mounting nut onto exposed shaft under the tank and tighten nut. Check fill valve orientation.



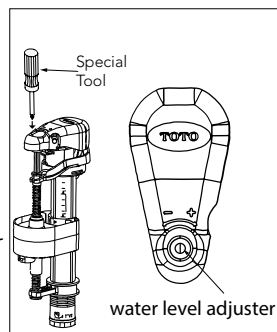
**⚠CAUTION** Do not over-tighten.

4. Connect the water supply (Ill. 1). Pipe dope is not recommended. Attach the refill tube to the fill valve and clip the other end to the overflow pipe.

## ADJUSTING THE WATER LEVEL

Refer to the water level line stamp inside the tank.

1. The water level adjustment is located in the top end of the fill valve. Use a flathead screwdriver to make adjustments:
  - To raise the water level: turn the screwdriver clockwise, or towards the '+' indicator.
  - To lower the water level: turn the screwdriver counter-clockwise, or towards the '-' indicator.
2. Flush after each adjustment to check the water level. When satisfied with the water level, flush once more to verify.

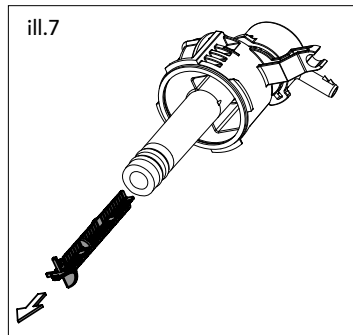
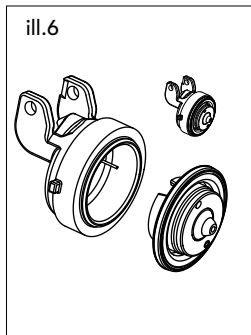
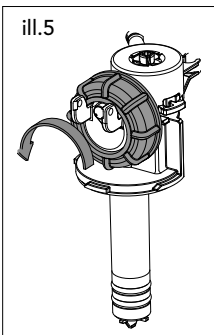
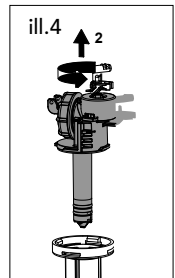
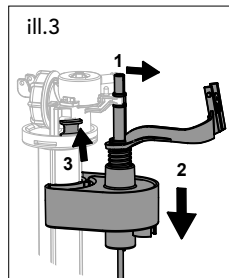
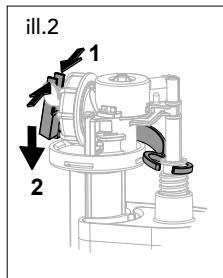
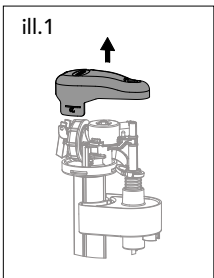




## SERVICING THE FILL VALVE

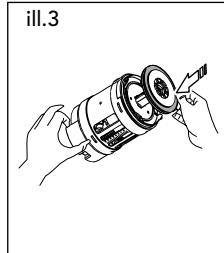
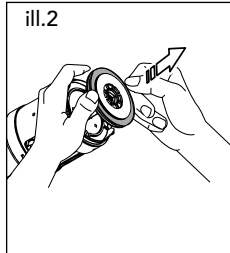
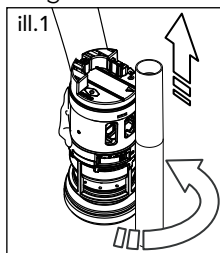
NOTE: Due to water conditions in your area, the strainer may require periodic cleaning. An indication that the strainer requires service can be seen in a delayed fill cycle, intermittent fill cycle, or inadequate amount of water flow from the refill tube.

1. Snap off the top cover by pulling from under the tab (ill. 1).
2. Pinch the tabs of the lever arm to allow its removal (ill. 2).
3. Snap off the adjustable rod from the bracket allowing the unit to slide to the bottom and remove the retainer tab by pulling as the arrow indicates (ill. 3).
4. Grab hold of the valve unit, twist 1/4 turn counterclockwise and pull the unit out (ill. 4).
5. Unscrew nut of the diaphragm housing (ill. 5).
6. Remove the diaphragm from its housing by carefully pulling the edge of the diaphragm (ill. 6). Note the position of the diaphragm while removing.
7. Remove the strainer from the tube with needle nose pliers (ill. 7). Use twisting motion while pulling to help with removal.
8. Rinse all parts under running water to clear any debris, residues or films. Reinstall all parts in reverse order. Turn the water ON and check for leaks and operation.



## SERVICING THE FLUSH TOWER

1. Turn off water supply and flush the toilet.
2. Remove the tank lid and place it upside down on a clean surface.
3. Note the orientation of the flush tower for reassembly.
4. Rotate the upper half of the flush tower so the arrow points towards the overflow tube and pull it up to remove it (ill. 1)
5. Remove the rubber seal gasket and rinse under running water to clean (see Ill. 2). Place the gasket back on the flush tower (Ill. 3).
6. Align arrow with the overflow tube and install the flush tower back on the base.
7. Rotate the flush tower to the same orientation (step 3).
8. Carefully, install the tank lid back on the tank.
9. Flush the toilet several times to verify proper operation. Check for leakage.

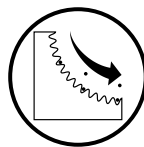


## CEFIONTECT® CLEANING INSTRUCTIONS

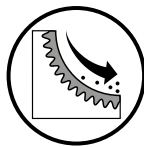


### WHAT IS CEFIONTECT®?

CEFIONTECT® is TOTO's super-smooth permanent glaze that prevents debris from sticking to surfaces. Products with the letter "G" in the number have the CEFIONTECT® glaze. This glaze, along with regular cleaning, will help keep your TOTO product in pristine condition.



No CEFIONTECT®



With CEFIONTECT®



### NOTE:

For best results to keep your TOTO product with CEFIONTECT® clean:

- Lavatory: Use a mild dish detergent with a clean, soft cloth.
- Toilet: Use a gel based cleaner with a soft bristled-plastic brush.
- **Don't use** cleaners, polishing powders or detergents that have gritty or coarse particles.
- **Don't use** bleach, chemical thinners or products that have acid or alkaline detergents listed as ingredients.
- **Don't use** metal scrub brushes or steel wool.

Following these instructions will ensure that your TOTO product with the CEFIONTECT® glaze will always stay intact, keeping your product like new for years to come!