

CODE NUMBER

0345211PK

DESCRIPTION

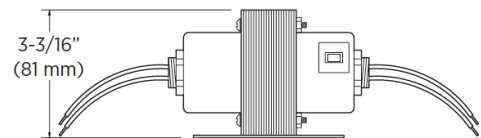
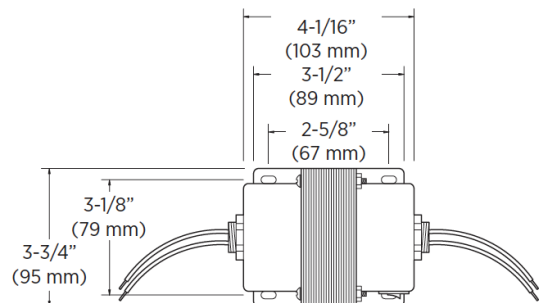
Standard

FEATURES

- 120 VAC Input, 50/60 Hz Primary
- 24 VAC Output, 50/60 Hz Secondary
- Class II, UL Listed
- 100 VA

NOTES

All information contained within this document subject to change without notice.

**DOWNLOADS**

- [Additional Downloads](#)

Sloan 10500 Seymour Ave, Franklin Park, IL 60131

Phone: 800.982.5839 • Fax: 800.447.8329 • sloan.com