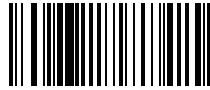


BRIZO®

103941



X00103941

Models/Modelos/Modèles
65076LF-▲ & 65076LF-▲-ECO
Series/Series/Seria
INVARI®

Write purchased model number here.
Escriba aquí el número del modelo comprado.
Inscrivez le numéro de modèle ici.

▲ Specify Finish / Especifique el Acabado / Précisez le Fini

Date of Purchase: _____
Fecha de compra
Date d'achat

Register Online
Regístrese en línea
S'enregistrer en ligne
www.brizo.com/customer-support/product-registration

To reference replacement parts and access additional technical documents and product info, visit www.brizo.com

Para referencia sobre las piezas de repuesto y acceder a documentos técnicos adicionales e información del producto, visite www.brizo.com

Pour obtenir la référence des pièces de rechange ainsi que pour avoir accès à d'autres documents techniques et renseignements sur le produit, allez à www.brizo.com



1-877-345-BRIZO (2749)
www.brizo.com/customer-support

Read all instructions prior to installation.

⚠ CAUTION

Failure to read these instructions prior to installation may result in personal injury, property damage, or product failure. Manufacturer assumes no responsibility for product failure due to improper installation.

Lea todas las instrucciones antes de hacer la instalación.

⚠ ADVERTENCIA

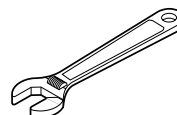
El no leer estas instrucciones de instalación puede resultar en lesiones personales, daños a la propiedad, o falla en el funcionamiento del producto. El fabricante no asume ninguna responsabilidad por la falla del producto debido a una instalación incorrecta.

Veuillez lire toutes les instructions avant l'installation.

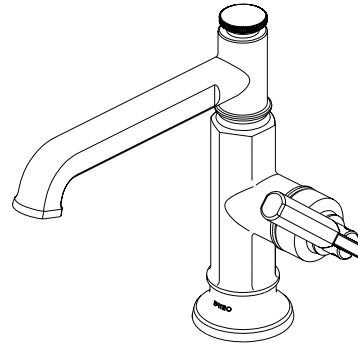
⚠ AVERTISSEMENT

L'omission de lire les présentes instructions avant l'installation peut entraîner des blessures, des dommages matériels ou le bris du produit. Le fabricant se dégage de toute responsabilité à l'égard d'un bris du produit causé par une mauvaise installation.

You may need:
Usted puede necesitar:
Articles dont vous pouvez avoir besoin :



SINGLE HANDLE BATHROOM FAUCET
LLAVE PARA BAÑO DE MANILLAR INDIVIDUAL
ROBINET DE SALLE DE BAIN À UNE POIGNÉE



CLEANING AND CARE

Care should be given to the cleaning of this product. Although its finish is extremely durable, it can be damaged by harsh abrasives or polish. To clean, simply wipe gently with a damp cloth and blot dry with a soft towel.

LIMPIEZA Y CUIDADO DE SU LLAVE

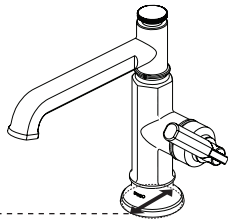
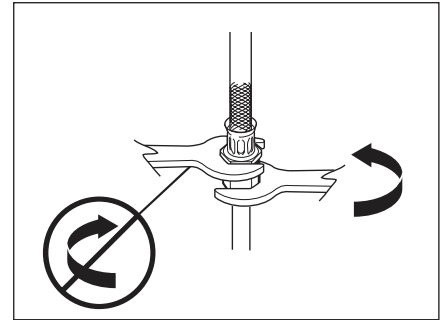
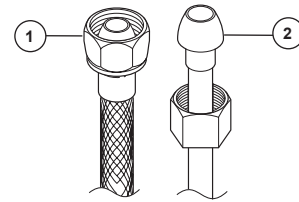
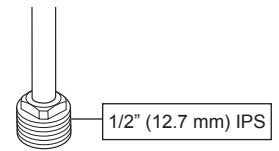
Tenga cuidado al ir a limpiar este producto. Aunque su acabado es sumamente durable, puede ser afectado por agentes de limpieza o para pulir abrasivos. Para limpiar su llave, simplemente frótelas con un trapo húmedo y luego séquela con una toalla suave.

INSTRUCTIONS DE NETTOYAGE

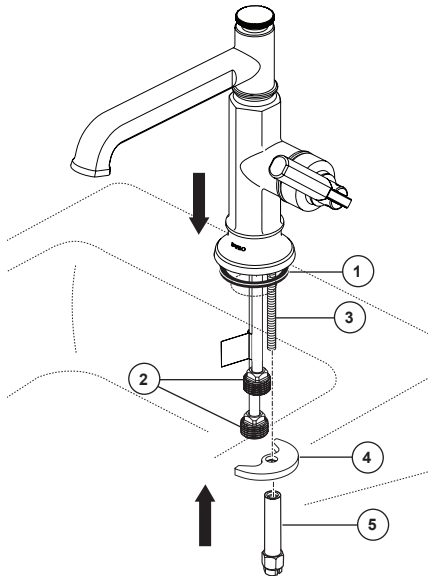
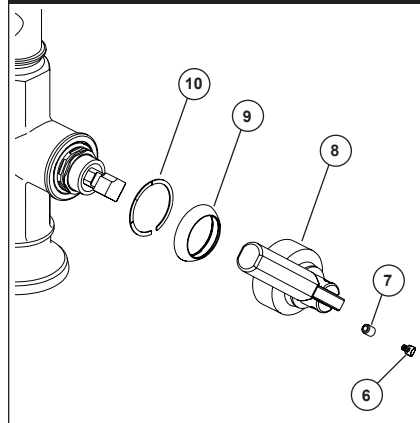
Il faut le nettoyer avec soin. Même si son fini est extrêmement durable, il peut être abîmé par des produits fortement abrasifs ou des produits de polissage. Il faut simplement le frotter doucement avec un chiffon humide et le sécher à l'aide d'un chiffon doux.

1

1 1/8" (29.5mm)
1 1/8 po
Diameter Hole

**2**

Optional/ Opcional/ Facultative



Lavatory Faucet Installation

Note: When drilling a new hole, 1 1/8" is recommended. Slide gasket (1) up over tubes (2) and mounting stud (3) and seat onto bottom of faucet. Place tubes and mounting stud through mounting hole and position faucet on sink. **Option: If surface of sink is uneven, use silicone sealant under the spout base or gasket.** Place metal bracket (4) over mounting stud (3) under sink. Secure with mounting nut (5). Tighten securely but do not overtighten.

Optional

Add optional red/blue temperature ring by removing button (6), set screw (7), handle (8) and cap (9). Install temperature ring (10), ensure that ring is aligned with the open notch on cap. When reinstalling parts, make sure bonnet cap is pressed on securely.

MAKE CONNECTIONS TO WATER LINES:

Choose hook-ups for 1/2" IPS connection.

- (1) 1/2" IPS faucet connector
- (2) 3/8" O.D. tubing ball-nose risers.

Use two wrenches when tightening. Do not overtighten.

Instalación de la llave de Agua para Lavamanos

Nota: Cuando perforo un orificio nuevo, se recomienda 1 1/8". Deslice el empaque (1) por los tubos (2) y el perno de instalación (3) y colóquelo en la parte inferior de la llave de agua. Coloque los tubos y el perno de instalación por el orificio de instalación y coloque la llave de agua en el lavamanos. **Opción: Si la superficie del lavabo es irregular, utilice el sellador de silicona por debajo de la base del surtidor o la junta.** Coloque el soporte de metal (4) sobre el perno de instalación (3) por debajo del lavamanos. Fije con la tuerca de instalación (5). Apriete bien pero no demasiado.

Opcional

Agregue el anillo de temperatura rojo/azul opcional retirando la botón (6), el tornillo de ajuste (7), el mango (8) y la tapa (9). Instale la argolla de temperatura (10), asegúrese de que la argolla esté alineada con la muesca abierta de la tapa. Al volver a instalar las piezas, asegúrese de que la tuerca tapa esté bien apretada.

HAGA LAS CONEXIONES A LAS LÍNEAS DE AGUA:

Elija conexiones para conexiones IPS de 1/2 ".

- (1) conector de grifo IPS de 1/2 "
- (2) 3/8 "O.D. tubos risers nariz de bola.

Utilice dos llaves de tuercas cuando apriete. No apriete demasiado.

Installation du robinet de lavabo

Note : Si vous devez percer un nouveau trou, un diamètre de 1 1/8 po est recommandé. Glissez le joint (1) sur les tubes (2) et le goujon de montage (3) et appuyez-le contre le dessous du robinet. Introduisez les tubes et le goujon de montage dans le trou de montage, puis positionnez le robinet sur l'appareil sanitaire. **Facultatif : Utilisez un scellant à la silicone sous la base ou le joint du bec si la surface de l'évier est inégale.** Placez le support en métal (4) sur le goujon de montage (3) sous l'appareil sanitaire. Fixez-le robinet à l'aide de l'écrou de montage (5). Serrez l'écrou solidement en prenant garde de trop serrer.

Facultative

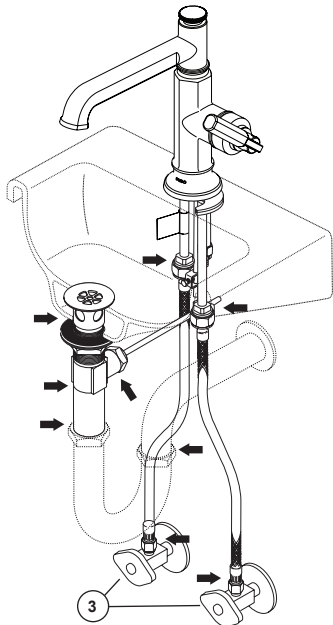
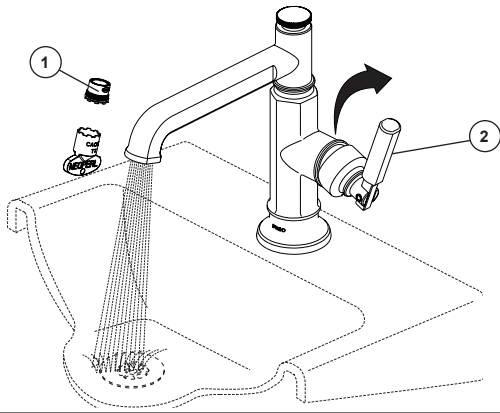
Ajoutez une bague de température rouge / bleue en option en retirant l'bouton (6), la vis de réglage (7), la poignée (8) et le capuchon (9). Installez l'anneau de température (10) en vous assurant que l'anneau est aligné avec l'encoche sur le capuchon. Au moment de réinstaller les pièces, prenez soin de bien appuyer le chapeau.

RACCORDEZ LES TUYAUX D'EAU CHAUDE ET D'EAU FROIDE.

Choisissez des raccords pour une connexion IPS 1/2 ".

- (1) Connecteur de robinet IPS 1/2 "
- (2) 3/8 "O.D. éleveurs tubulaires à boule.

Utilisez deux clés pour serrer les raccords. Prenez garde de trop serrer.

3

Flush the System and Check for Leaks

Remove aerator (1). Turn faucet handle (2) all the way on. Turn on hot and cold water supplies (3) and flush water lines for one minute. **Important: This flushes away any debris that could cause damage to internal parts.**

Check all connections at arrows for leaks. Retighten if necessary, but do not overtighten.

Deje Correr el Agua por el Sistema y Examine si hay Filtraciones / Fugas

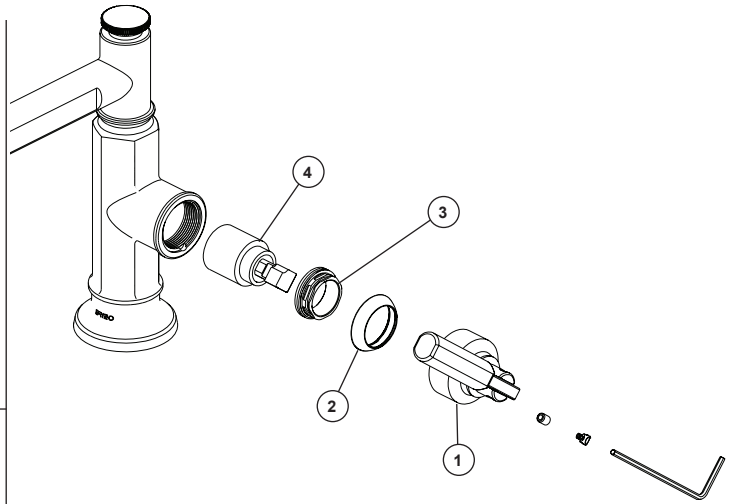
Retire el aireador (1). Gire las manijas de la llave (2) completamente a la posición abierta. Abra los suministros de agua caliente y fría (3) y deje que el agua corra por las líneas por un minuto. **Importante: Esto limpia cualquier escombros que pudiera causar daño a las partes internas.**

Examine todas las conexiones donde señalan las flechas por si hay filtraciones de agua. Apriete de nuevo si es necesario, pero no apriete demasiado.

Rincez l'installation et vérifiez l'étanchéité

Retirez l'aérateur (1). Tournez les poignées (2) du robinet pour ouvrir celui-ci complètement. Rétablissez l'alimentation en eau chaude et en eau froide (3), puis laissez s'écouler l'eau une minute. **Important: Il faut laisser s'écouler l'eau pour évacuer les saletés qui pourraient abîmer les éléments internes du robinet.**

Vérifiez l'étanchéité de tous les raccords identifiés par une flèche. Resserrez les raccords au besoin, mais prenez garde de trop les serrer.



Maintenance

If faucet leaks from under handle:

Remove handle (1) and cap (2). **Note: To remove cap (2), pry it off with your fingernail or a small knife.** Ensure bonnet nut (3) is tight. Replace valve cartridge (4) RP92349.

If faucet leaks from spout outlet: SHUT OFF WATER SUPPLIES. Replace valve cartridge (4) RP92349.

If water flow from the faucet reduces over time, the flow regulator or supply strainers may have become partially blocked. To clean:

- Remove handle (1) and cap (2).
- Unscrew bonnet nut (3) and remove valve cartridge (4).
- Reinstall in reverse order.
- Turn on handle and check spout flow.

MANTENIMIENTO

Si la llave de agua/grifo tiene fugas por debajo de la manija:

Retire la manija (1) y la tapa (2). **Nota: para quitar la tapa (2), levántela con su uña o un cuchillo pequeño.** Asegúrese de que la tuerca tapa (3) esté apretada. Reemplace la válvula de cartucho (4) RP92349.

Si el agua se filtra desde la boca del surtidor de la llave de agua:

CIERRE LOS SUMINISTROS DE AGUA. Reemplace la válvula de cartucho (4) RP92349.

Si con el tiempo se ha reducido el flujo de agua, el regulador de flujo o los filtros o coladores del agua de abastecimiento pueden estar bloqueados parcialmente. Para limpiar:

- Retire la manija (1) y la tapa (2).
- Desenrosque la tuerca tapa (3) y retire la válvula de cartucho (4).
- Reinstale en orden inverso.
- Gire las manija y examine el flujo del surtidor.

MAINTENANCE

Si le robinet fuit sous la manette :

Enlevez la manette (1) et le capuchon (2). **Note : Pour enlever le capuchon (2), écartez-le avec votre ongle ou un petit tournevis.** Assurez-vous que l'écrou-chapeau (3) est bien serré. Remplacez la cartouche de soupape (4) RP92349.

Si le robinet fuit par la sortie du bec : FERMEZ LES ROBINETS D'ALIMENTATION.

Remplacez la cartouche de soupape (4) RP92349.

Si le débit du robinet diminue au fil du temps, le régulateur de débit peut être partiellement obstrué. Pour le nettoyer :

- Enlevez la manette (1) et le capuchon (2).
- Desserrez l'écrou-chapeau (3) et enlevez la cartouche de soupape (4).
- Reposez les éléments dans l'ordre inverse à celui de leur dépose.
- Amenez les manette en position d'ouverture et vérifiez le débit par le bec.

Limited Warranty on Brizo® Faucets

Parts and Finish: All parts (other than electronic parts, air switch power modules, batteries, and parts not supplied by Brizo Kitchen and Bath Company) and finishes of Brizo® faucets purchased from authorized Brizo sellers are warranted to the original consumer purchaser to be free from defects in material and workmanship for as long as the original consumer purchaser owns the home in which the faucet was first installed. For commercial purchasers, (a) the warranty period is ten (10) years for multi-family residential applications and (b) five (5) years for all other commercial uses, in each case from the date that the product is received by the original purchaser or their authorized representative (installation contractor, etc.). For purposes of this warranty, the term "multi-family residential application" refers to the purchase of the faucet from an authorized Brizo seller by a purchaser who owns but does not live in the residential dwelling in which the faucet is initially installed, such as in a rented or leased single unit or multi-unit detached home (duplex or townhome), or a condominium, apartment building or community living center. The following installations are not considered multi-family residential applications, are excluded from the 10-year warranty, and are subject to the 5-year warranty: industrial, institutional or other business premises, such as a dormitory, hospitality premises (hotel, motel, or extended stay location), airport, educational facility, long- or short-term healthcare facility (hospital, rehabilitation center, nursing, assisted or staged-care living unit), public space or common area.

Electronic Parts and Batteries (if applicable): Electronic parts (other than air switch power modules and batteries), if any, in Brizo® faucets purchased from authorized Brizo sellers are warranted to the original consumer purchaser to be free from defects in material and workmanship for five (5) years from the date that the product is received by the original consumer purchaser or their authorized representative (installation contractor, etc.) or, for commercial users, for one (1) year from the date that the product is received by the original commercial purchaser or their authorized representative (installation contractor, etc.). No warranty is provided on batteries.

Air Switch Power Module: The electronic power module of Brizo® air switches purchased from authorized Brizo sellers is warranted to the original consumer purchaser to be free from defects in material and workmanship for two (2) years from the date that the product is received by the original consumer purchaser or their authorized representative (installation contractor, etc.) or, for commercial users, for one (1) year from the date that the product is received by the original commercial purchaser or their authorized representative (installation contractor, etc.).

What We Will Do: Brizo Kitchen & Bath Company will repair or replace, free of charge, during the applicable warranty period (as described above), any part or finish that proves defective in material and/or workmanship under normal installation, use, and service. Brizo Kitchen & Bath Company may, in its sole discretion, use new, refurbished or recertified parts or products for such repair or replacement. If repair or replacement is not practical, Brizo Kitchen & Bath Company may elect to refund the purchase price in exchange for the return of the product. **These are your exclusive remedies.**

What Is Not Covered: Because Brizo Kitchen and Bath Company is unable to control the quality of Brizo products sold by unauthorized sellers, unless otherwise prohibited by law, this warranty does not cover Brizo products purchased from unauthorized sellers (visit Brizo.com to see a list of our Authorized Online Resellers).

Any labor charges incurred by the purchaser to repair, replace, install or remove this product are not covered by this warranty. Brizo Kitchen & Bath Company shall not be liable for any damage to the product resulting from reasonable wear and tear, outdoor use, misuse (including use of the product for an unintended application), freezing water, abuse, neglect, or improper or incorrectly performed assembly, installation, maintenance or repair, including failure to follow the applicable care and cleaning instructions. Customized components purchased by the consumer or commercial user and installed into a Brizo product, and any damage resulting from removal or improper installation of such components, are not covered by this warranty.

Brizo Kitchen & Bath Company recommends using a professional plumber for all installation and repair of faucets. We also recommend that you use only genuine Brizo® replacement parts.

What You Must Do To Obtain Warranty Service or Replacement Parts: A warranty claim may be made, and replacement parts may be obtained by calling 1-877-345-BRIZO (2749) or by contacting us by mail or online as follows (please include your model number, date of purchase and documentation of the date of receipt of the product by the original purchaser or their authorized representative (installation contractor, etc.):

In the United States and Mexico:

Brizo Kitchen & Bath Company
55 E. 111th Street
Indianapolis, IN 46280
Attention: Warranty Service
<https://www.brizo.com/customer-support/contact-us>

In Canada:

Masco Canada Limited, Plumbing Group
Technical Service Centre
350 South Edgeware Road
St. Thomas, Ontario, Canada N5P 4L1
<https://www.brizo.com/customer-support/contact-us>

Proof of purchase (original sales receipt showing purchase date) and documentation of the date of receipt of the product by the original purchaser or their authorized representative (installation contractor, etc.) must be made available to Brizo Kitchen & Bath Company for all warranty claims unless the purchaser has registered the product with Brizo Kitchen & Bath Company. This warranty applies only to Brizo® faucets installed in the United States of America, Canada, and Mexico.

Limitation on Duration of Implied Warranties: Please note that some states/provinces (including Quebec) do not allow limitations on how long an implied warranty lasts, so the below limitations may not apply to you. TO THE MAXIMUM EXTENT PERMITTED BY APPLICABLE LAW, ANY IMPLIED WARRANTY, INCLUDING THE IMPLIED WARRANTIES OF MERCHANTABILITY AND OF FITNESS FOR A PARTICULAR PURPOSE, IS LIMITED TO THE STATUTORY PERIOD OR THE DURATION OF THIS WARRANTY, WHICHEVER IS SHORTER.

Limitation of Special, Incidental or Consequential Damages: Please note that some states/provinces (including Quebec) do not allow the exclusion or limitation of special, incidental, or consequential damages, so the below limitations and exclusions may not apply to you. TO THE MAXIMUM EXTENT PERMITTED BY APPLICABLE LAW, THIS WARRANTY DOES NOT COVER, AND BRIZO KITCHEN & BATH COMPANY SHALL NOT BE LIABLE FOR ANY SPECIAL, INCIDENTAL, OR CONSEQUENTIAL DAMAGES (INCLUDING LABOR CHARGES TO REPAIR, REPLACE, INSTALL OR REMOVE THIS PRODUCT), WHETHER ARISING OUT OF BREACH OF ANY EXPRESS OR IMPLIED WARRANTY, BREACH OF CONTRACT, TORT, OR OTHERWISE. BRIZO KITCHEN & BATH COMPANY SHALL NOT BE LIABLE FOR ANY DAMAGE TO THE FAUCET RESULTING FROM REASONABLE WEAR AND TEAR, OUTDOOR USE, MISUSE (INCLUDING USE OF THE PRODUCT FOR AN UNINTENDED APPLICATION, FREEZING WATER, ABUSE, NEGLIGENCE OR IMPROPER OR INCORRECTLY PERFORMED ASSEMBLY, INSTALLATION, MAINTENANCE OR REPAIR, INCLUDING FAILURE TO FOLLOW THE APPLICABLE INSTALLATION, CARE AND CLEANING INSTRUCTIONS. Notice to residents of the State of New Jersey: The provisions of this warranty, including its limitations, are intended to apply to the fullest extent permitted by the laws of the State of New Jersey.

Additional Rights: This warranty gives you specific legal rights, and you may also have other rights which vary from state/province to state/province. This is Brizo Kitchen & Bath Company's exclusive written warranty, and the warranty is not transferable.

If you have any questions or concerns regarding our warranty, please contact us as provided above or visit our website at www.brizo.com.

© 2023 Masco Corporation of Indiana