



see what Delta can do™

# BATHROOM FAUCET

- Trinsic® Bath Collection
- Single Handle Deck Mount

## STANDARD SPECIFICATIONS:

- Max. flow rate 1.2 gpm @ 60 psi, 4.5 L/min @ 414 kPa
- One or three hole mount (escutcheon optional, included)
- Diamond coated ceramic cartridge
- 1/4" O.D. straight, staggered PEX supply tubes
- Models have metal drain with pop-up type fitting with plated flange and stopper, no lift rod hole
- "LPU" models less pop-up drain, no lift rod hole
- Optional red/blue indicator ring provided with model

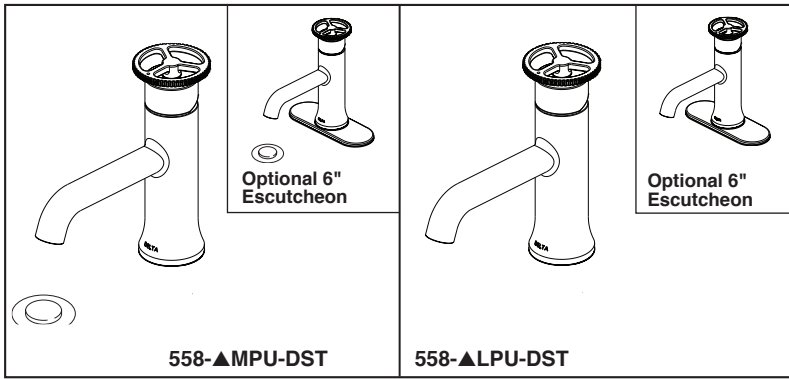
## WARRANTY

- Parts and Finish - Lifetime limited warranty; or for commercial purchasers, 10 years for multi-family residential (apartments and condominiums) and 5 years for all other commercial uses, in each case from the date of purchase.
- Electronic Parts and Batteries (if applicable) - 5 years from the date of purchase; or for commercial purchasers, 1 year from the date of purchase. No warranty is provided on batteries.



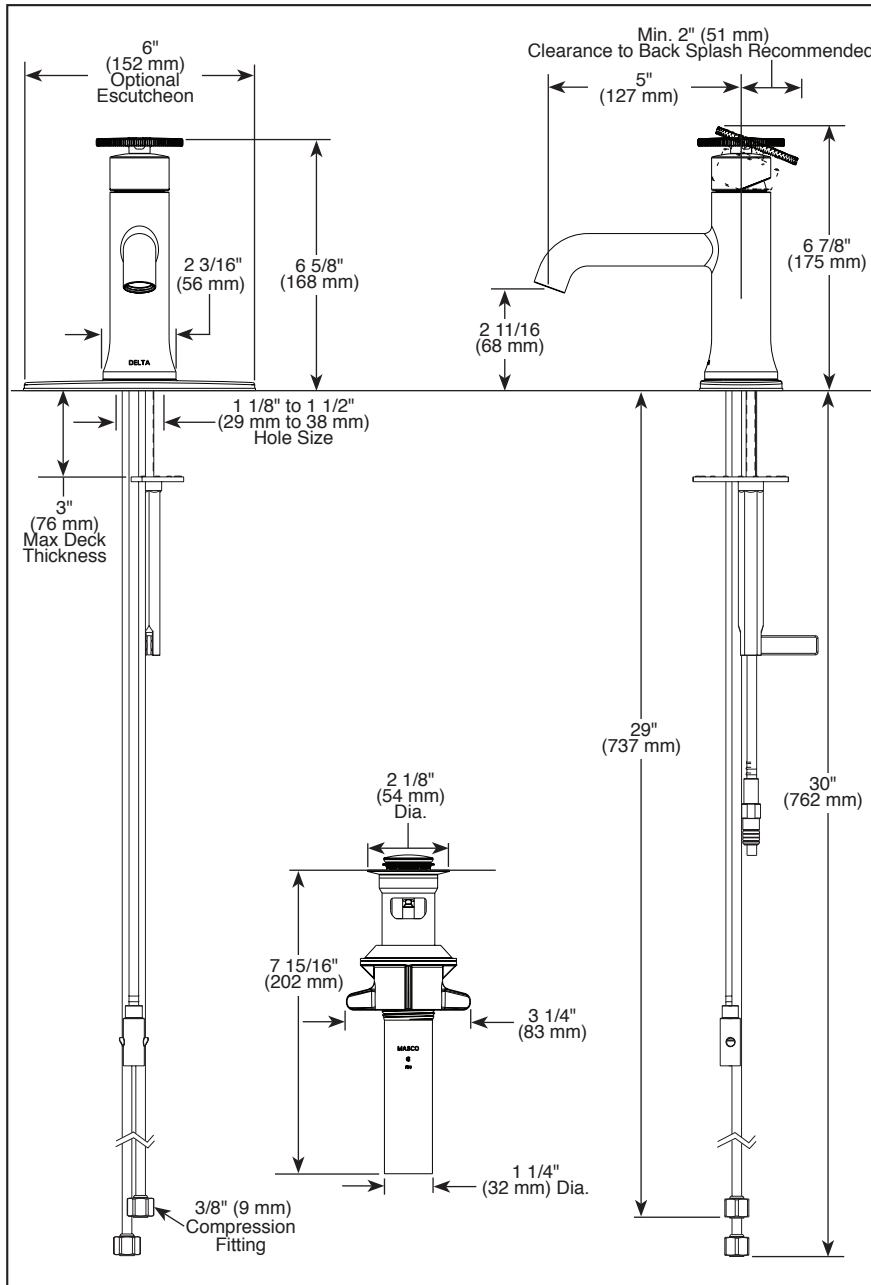
## COMPLIES WITH:

- ASME A112.18.1 / CSA B125.1
- EPA WaterSense®



Submitted Model No.: \_\_\_\_\_

Specific Features: \_\_\_\_\_



▲ Designate Proper Finish Suffix

Delta reserves the right (1) to make changes in specifications and materials, and (2) to change or discontinue models, both without notice or obligation. Dimensions are for reference only. See current full-line price book or [www.deltafaucet.com](http://www.deltafaucet.com) for finish options and product availability.

DSP-L-558-MPU-DST Rev. B

## Delta Faucet Company

55 E. 111th Street, Indianapolis, IN 46280  
 350 South Edgeware Road, St. Thomas, ON N5P 4L1  
 © 2021 Delta Faucet Company