

WASHLET® G450 Integrated Toilet, 1.0 GPF/0.8 GPF

FEATURES

- TORNADO FLUSH® siphon jet flushing system, ultra high-efficiency
- Dual Flush function (1.0GPF/3.8LPF and 0.8GPF/3.0LPF)
- CEFIONTECT® ceramic glaze minimizes waste from sticking to porous ceramic surfaces
- PREMIST® of bowl before each use
- Auto Open / Close lid
- Auto flush
- Multifunctional remote control
- Heated seat with temperature control
- Instant water heating system for continuous warm water and energy saving
- WASHLET with three wash modes (front, rear, soft)
- Adjustable spray position
- Oscillating comfort washing
- Built-in air purifying system
- ADA compliant
- Universal Height



COMPONENTS

- SN922M - Top Unit
- CT922CUMFG - Elongated Bowl Unit

OPTIONAL COMPONENTS

- THU9660 - Water Supply Extension Kit

COLORS/FINISHES

- #01 Cotton

PRODUCT SPECIFICATION

The WASHLET G450 with the TORNADO FLUSH system toilet shall be 1.0GPF/3.8LPF and 0.8 GPF/3.0 LPF. Toilet shall have CEFIONTECT ceramic glaze. Toilet shall be of skirted design, elongated front bowl with auto open and close seat. Toilet shall be TOTO Model MS922CUMFG#01.

1G One Gallon Per Flush

CEFIONTECT

TORNADO FLUSH

PREMIST

WASHLET

CODES/STANDARDS

- Meets and exceeds ASME A112.4.2, ASME A112.19.2/CSA B45.1, ASME A112.18.1/CSA B125.1, UL 1431, CSA C22.2 # 68
- Certifications: IAPMO(cUPC), State of Massachusetts, City of Los Angeles and others
- Code Compliance: UPC, IPC, NSPC, and others
- Complies with CA Prop 65 warning requirements
- ADA Compliant



CALGreen

MS922CUMFG

WASHLET® G450 Integrated Toilet, 1.0 GPF/0.8 GPF

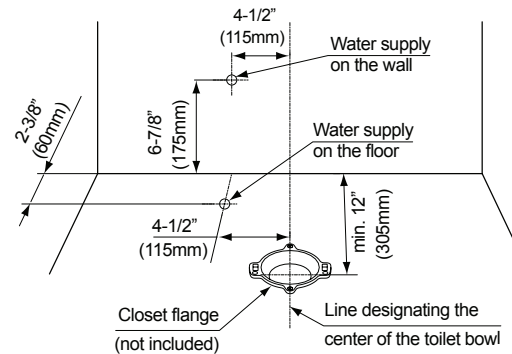
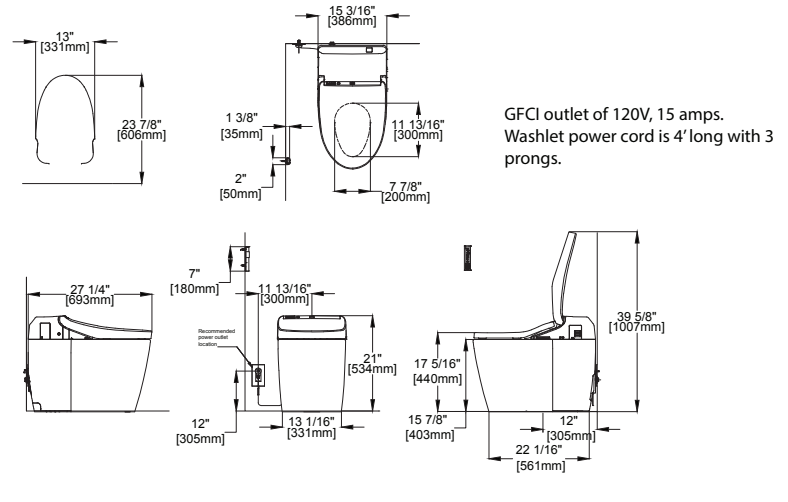
SPECIFICATIONS

Water Use	1.0 & 0.8 GPF (3.8 & 3.0 LPF)
Flush System	TORNADO FLUSH®
Water Pressure	Min 7.25 PSI (0.05MPa) Flowing Max 108.75 PSI (0.75MPa) static
Water Surface	8-3/4" x 7-1/14"
Trap Diameter	2-1/8"
Trap Seal	2-1/8"
Rough-in	Warning: If there is a base board in the restroom, the center of the floor drain should be a minimum of 12" from the base board.
Warranty	One Year Limited (Residential) One Year Limited (Commercial)
Material	Bowl: Vitreous china Seat and cover: Plastic
Shipping Weight	Top Unit - SN922M 18lbs Bowl Unit - CT922CUMFG 80 lbs
Shipping Dimensions	SN922M - 30-11/16" x 17-3/4" x 11-5/16" CT922CUMFG - 16-1/2" x 21-1/2" x 29-1/2"
Power Rating	120V AC, 60Hz
Power Consumption	1290W
Max Power Consumption	1433W
Power Cord Length	3.94 ft (1.2 m)
Water Pressure	Min 7.25 PSI (0.05MPa) Flowing Max 108.75 PSI (0.75MPa) static
Water Feature	Adjustable Water Flow Rate Rear washing: from .07 to .11 gal/min. Soft washing: from .07 to .11 gal/min. Front washing: from .08 to .11 gal/min. Temperature of Washing Spray Minimum: 86° F/30° C Maximum: 104° F/40° C Safety Features: Thermal fuse
Drying Feature	Air Temperature: High: About 140°F (60°C) Low: About 95°F (35°C) Capacity of Air: 7.77 ft3/min Safety Feature: Thermal fuse
Warming Feature	Surface Temperature: Minimum: 95°F (35°C) Maximum: 104°F (40°C) Seat Heater Capacity: 50W Safety Feature: Thermal fuse
Air Purifying Feature	Method: O2 Deodorizer Air Volume: 5.7 ft3/min
Ambient Temp.	32°F (0°C) to 104°F (40°C)
Size	15-3/16" x 27 1/4" x 21 1/16"
Weight	Net: 90 lbs.

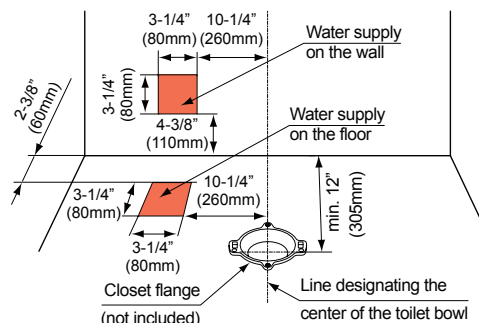
INSTALLATION NOTES

- It is highly recommended to use a surge protector to prevent damage in the event of a power surge.
- Please check with local codes for electrical receptacle installation requirements.
- For use with potable water only. Do not use with recycled water.
- The following factors may affect IR signal strength and top unit operation: product and remote control location, room size, shape, construction materials, and degree of darkness (color) of ceiling and walls.

DIMENSIONS



Extended water supply range locations using the Connection Unit THU966Q (sold separately)



TOTO®

These dimensions and specifications are subject to change without notice