

# Ducane™

## AIR CONDITIONING AND HEATING

# Value 80%

# Gas Furnace

Form No: D80G1-100 (05/2011)

## Features and Benefits

### CONFIGURATIONS

- Upflow / Horizontal
- Downflow

### HEAT EXCHANGER DESIGN

- Crimped no-weld aluminized clam shell heat exchanger construction

### CABINET DESIGN

- Compact 33" height
- Standardized widths for easy coil fit

### AIR DELIVERY SYSTEM

- Multi-speed PSC blower motor
- Easily removable slide out blower design

### CONTROLS

- Single stage gas valve
- Self diagnostics saving last 5 fault codes regardless of power interruption

### VENTING

- Rotatable draft inducer for venting flexibility

### INSTALLATION FEATURES

- Left or right utility connections
- "L" designated models comply with California's South Coast Air Quality Management district Low NOx requirements
- Removable floor base for bottom return air
- Zero step horizontal conversion

Note: Not for sale in Canada



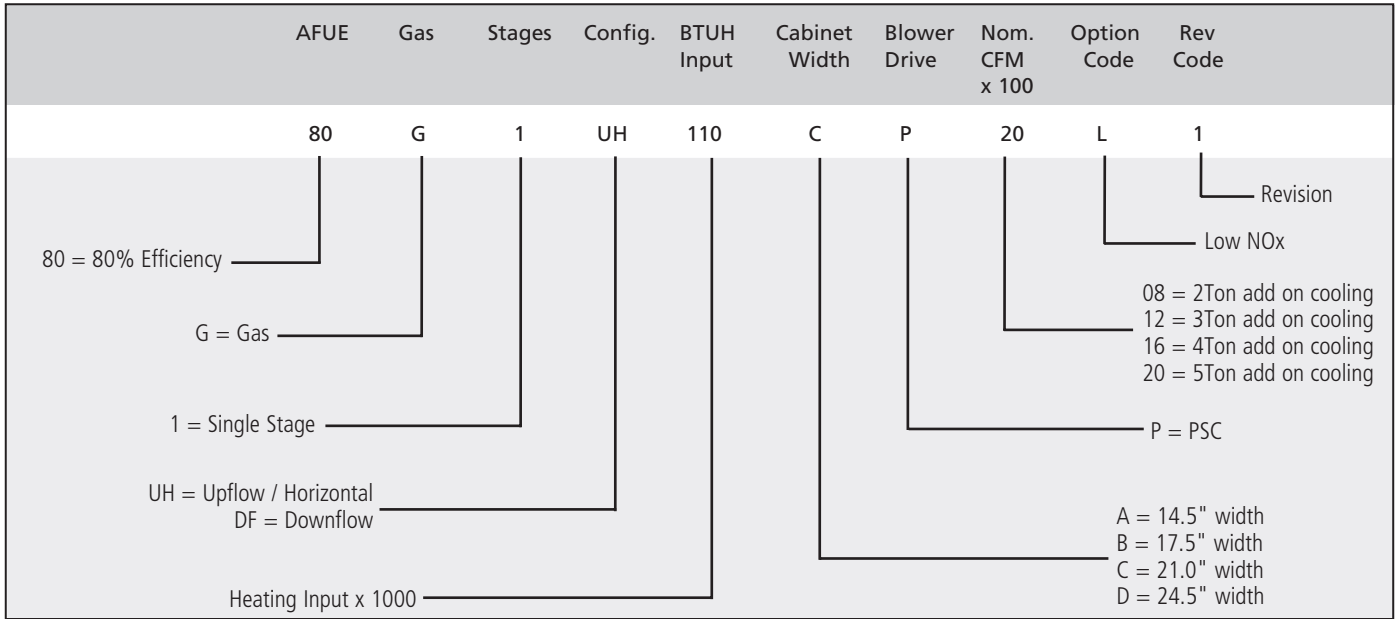
### **WARRANTY**

- 10 year limited parts warranty / lifetime heat exchanger warranty available. See limited warranty document for details.

**10** year  
limited  
Parts  
Warranty



## Model Number Guide



## Physical and Electrical Data

	Model	Input (Btuh)	Output (Btuh)	AFUE (ICS) %	Nom. Cooling Capacity	Gas Inlet (in.)	Volts/ Hz/ Phase	Max. Time Delay Breaker or Fuse	Nominal F.L.A.	Trans. (V.A.)	Approx. Shipping Weight (lbs.)
Upflow / Horizontal	80G1UH045AP12	44,000	35,000	80.0%	2 - 3	1/2	120-60-1	15	6.1	40	110
	80G1UH070AP08	66,000	54,000	80.0%	1.5 - 2	1/2	120-60-1	15	3.1	40	114
	80G1UH070AP12	66,000	54,000	80.0%	2 - 3	1/2	120-60-1	15	6.1	40	119
	80G1UH090BP12	88,000	71,000	80.0%	2 - 3	1/2	120-60-1	15	6.1	40	131
	80G1UH090BP16	88,000	71,000	80.0%	3 - 4	1/2	120-60-1	15	8.2	40	183
	80G1UH110CP12	110,000	88,000	80.0%	2 - 3	1/2	120-60-1	15	6.1	40	144
	80G1UH110CP16	110,000	89,000	80.0%	3 - 4	1/2	120-60-1	15	8.2	40	151
	80G1UH110CP20	110,000	89,000	80.0%	4 - 5	1/2	120-60-1	15	10	40	161
	80G1UH135DP20	132,000	107,000	80.0%	4 - 5	1/2	120-60-1	15	10	40	174
	80G1UH045AP12L	44,000	35,000	80.0%	2 - 3	1/2	120-60-1	15	6.1	40	110
	80G1UH070AP12L	66,000	54,000	80.0%	2 - 3	1/2	120-60-1	15	6.1	40	119
	80G1UH090BP16L	88,000	71,000	80.0%	3 - 4	1/2	120-60-1	15	8.2	40	138
80G1UH110CP20L	110,000	89,000	80.0%	4 - 5	1/2	120-60-1	15	10	40	161	
Downflow	80G1DF 045 AP12	44,000	35,200	80.0%	2 - 3	1/2	120-60-1	15	6.1	40	112
	80G1DF 070 AP12	66,000	52,800	80.0%	2 - 3	1/2	120-60-1	15	6.1	40	121
	80G1DF 090 BP16	88,000	70,400	80.0%	3 - 4	1/2	120-60-1	15	8.2	40	140
	80G1DF 110 CP20	110,000	88,000	80.0%	4 - 5	1/2	120-60-1	15	10	40	163

Note: For vent length and clearances to combustibles, please reference installation instructions.

Blower Performance Data

	Model	Motor Size (hp)	Blower Size	Temp Rise (°F)	Blower Speed	CFM @ External Static Pressure - " w.c.							
						0.20	0.30	0.40	0.50	0.60	0.70	0.80	0.90
Upflow / Horizontal	80G1UH045A12(L)	1/3 (4 spd)	10 x 8	15 - 45	High	1571	1527	1472	1399	1329	1223	1137	1020
					Med/High	1332	1314	1277	1233	1186	1136	1008	929
					Med	1115	1139	1127	1086	1050	994	926	819
					Low	950	952	944	924	887	842	783	648
	80G1UH070A08	1/5 (3 spd)	10 x 7	30 - 60	High	1113	1086	1045	1014	964	891	811	713
					Med/High	974	953	927	886	834	781	702	563
					Low	822	791	775	733	702	637	562	422
	80G1UH070A12(L)	1/3 (4 spd)	10 x 8	30 - 60	High	1579	1522	1479	1402	1338	1247	1158	1047
					Med/High	1357	1333	1300	1268	1205	1125	1045	942
					Med	1137	1131	1102	1080	1037	977	913	828
					Low	958	956	943	925	879	837	777	725
	80G1UH090B12	1/3 (4 spd)	10 x 9	25 - 55	High	1724	1683	1631	1535	1469	1363	1257	1158
					Med/High	1420	1410	1368	1314	1273	1183	1103	1002
					Med	1171	1168	1150	1126	1084	1022	935	817
					Low	973	978	957	927	908	840	784	680
	80G1UH090B16(L)	1/2 (4 spd)	10 x 10	25 - 55	High	1911	1840	1770	1663	1584	1469	1357	1198
					Med/High	1738	1707	1634	1560	1468	1364	1232	1121
					Med	1533	1502	1462	1408	1329	1262	1157	1019
					Low	1303	1304	1281	1225	1192	1116	1018	918
	80G1UH110C12	1/3 (4 spd)	10 x 10	45 - 75	High	1625	1605	1595	1550	1485	1385	1275	1040
					Med/High	1300	1290	1305	1260	1225	1145	1010	875
					Med	1045	1050	1045	1010	970	910	815	660
					Low	880	880	830	835	800	730	635	535
	80G1UH110C16	1/2 (4 spd)	10 x 10	25 - 55	High	2078	2017	1939	1848	1775	1679	1559	1425
					Med/High	1791	1746	1693	1635	1573	1469	1349	1192
					Med	1542	1547	1507	1472	1395	1322	1203	1060
					Low	1334	1333	1321	1293	1237	1172	1050	909
	80G1UH110C20(L)	3/4 (4 spd)	11 x 10	25 - 55	High	2420	2304	2247	2156	2067	1988	1890	1742
Med/High					2230	2173	2113	2056	1985	1891	1764	1653	
Med					1987	1954	1901	1841	1800	1703	1618	1491	
Low					1796	1759	1715	1674	1616	1552	1465	1359	
80G1UH135D20	3/4 (4 spd)	11 x 11	30 - 60	High	2120	2042	1972	1863	1747	1618	1488	1336	
				Med/High	2044	1948	1864	1790	1654	1563	1413	1312	
				Med	1886	1817	1762	1672	1603	1461	1357	1228	
				Low	1728	1664	1616	1526	1441	1366	1260	1136	

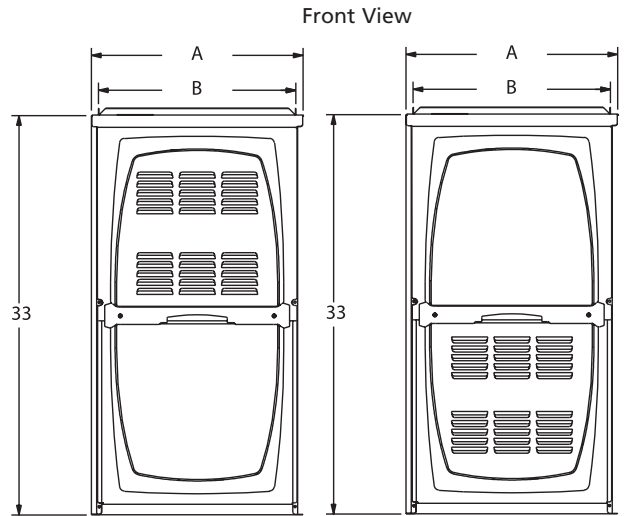
**Blower Performance Data**

Continued from previous page

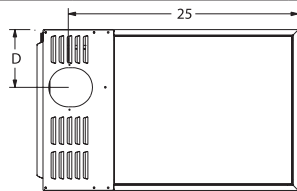
	Model	Motor Size (hp)	Blower Size	Temp Rise (F°)	Blower Speed	CFM @ External Static Pressure - " w.c.							
						0.20	0.30	0.40	0.50	0.60	0.70	0.80	0.90
Downflow	80G1DF045BP12	1/3 (4 spd)	10 x 8	15 - 45	High	1465	1414	1343	1255	1205	1140	1031	926
					Med/High	1351	1293	1236	1190	1106	1059	962	850
					Med	1129	1111	1083	1038	999	943	870	764
					Low	943	950	945	897	870	816	739	653
	80G1DF070BP12	1/3 (4 spd)	11 x 8	25 - 55	High	1506	1459	1390	1306	1213	1140	1038	927
					Med/High	1355	1314	1264	1200	1129	1066	975	865
					Med	1149	1119	1082	1048	987	901	836	727
					Low	953	941	915	904	849	798	717	628
	80G1DF090CP16	1/2 (4 spd)	10 x 10	25 - 55	High	1864	1779	1694	1596	1483	1340	1221	1065
					Med/High	1745	1676	1600	1502	1413	1273	1138	1007
					Med	1544	1496	1443	1363	1258	1148	1018	904
					Low	1321	1296	1265	1212	1148	1042	917	812
	80G1DF110CP20	3/4 (4 spd)	11 x 10	30 - 60	High	2416	2328	2232	2149	2017	1920	1789	1657
					Med/High	2248	2193	2122	2048	1923	1825	1728	1594
					Med	2087	2021	1975	1905	1806	1727	1625	1487
					Low	1861	1812	1771	1728	1648	1560	1471	1351

Dimensions (in.)

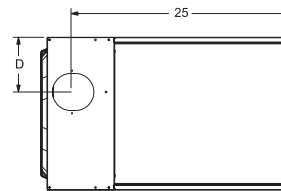
	Model	A	B	C	D
Upflow/Horizontal	80G1UH045AP12	14-1/2	13-3/8	13	4-3/4
	80G1UH070AP08	14-1/2	13-3/8	13	4-3/4
	80G1UH070AP12	14-1/2	13-3/8	13	4-3/4
	80G1UH090BP12	17-1/2	16-3/8	16	6-1/4
	80G1UH090BP16	17-1/2	16-3/8	16	6-1/4
	80G1UH110CP12	21	19-3/8	19-1/2	8
	80G1UH110CP16	21	19-3/8	19-1/2	8
	80G1UH110CP20	21	19-3/8	19-1/2	8
	80G1UH135DP20	24-1/2	23-3/8	23	9-3/4
	80G1UH045AP12L	14-1/2	13-3/8	13	4-3/4
	80G1UH070AP12L	14-1/2	13-3/8	13	4-3/4
	80G1UH090BP16L	17-1/2	16-3/8	16	6-1/4
	80G1UH110CP20L	21	19-3/8	19-1/2	8
Downflow	80G1DF 045 AP12	14-1/2	13-3/8	13	4-3/4
	80G1DF 070 AP12	14-1/2	13-3/8	13	4-3/4
	80G1DF 090 BP16	17-1/2	16-3/8	16	6-1/4
	80G1DF 110 CP20	21	19-7/8	19-1/2	8



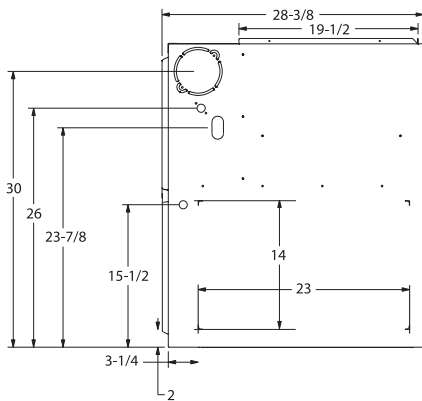
Upflow / Horizontal



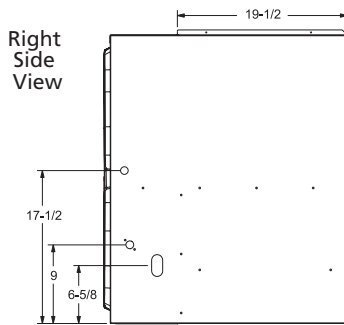
Downflow



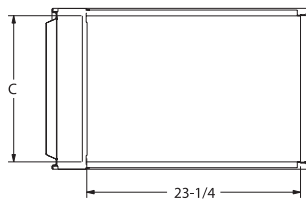
Right Side View



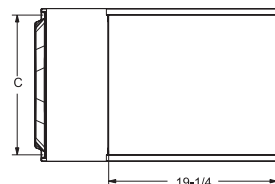
Right Side View



Bottom View



Bottom View



## Accessory List

Catalog Number	Description
External Filter Rack kits	
1.841018	1 Pack (16x25)
1.841039	10 Pack (16x25)
Natural to LP Kits	
72W47	1-Stage - 80
Return Air Base	
68W61	14.5", A Width
68W62	17.5", B Width
68W63	21.0", C Width
68W64	24.5", D Width
Downflow Combustible Flooring Base	
11M59	14.5", A Width
11M60	17.5", B Width
11M61	21.0", C Width
Night Service Kits	
68W80	Single Stage
Horizontal Suspension Kit	
51W10	80% & 90% Kit

Note: For vent length and clearances to combustibles, please reference installation instructions.

All specifications and illustrations subject to change without notice and without incurring obligations.

**Ducane**<sup>TM</sup>  
**AIR CONDITIONING  
 AND HEATING**

www.ducanehvac.com

1-800-448-5872