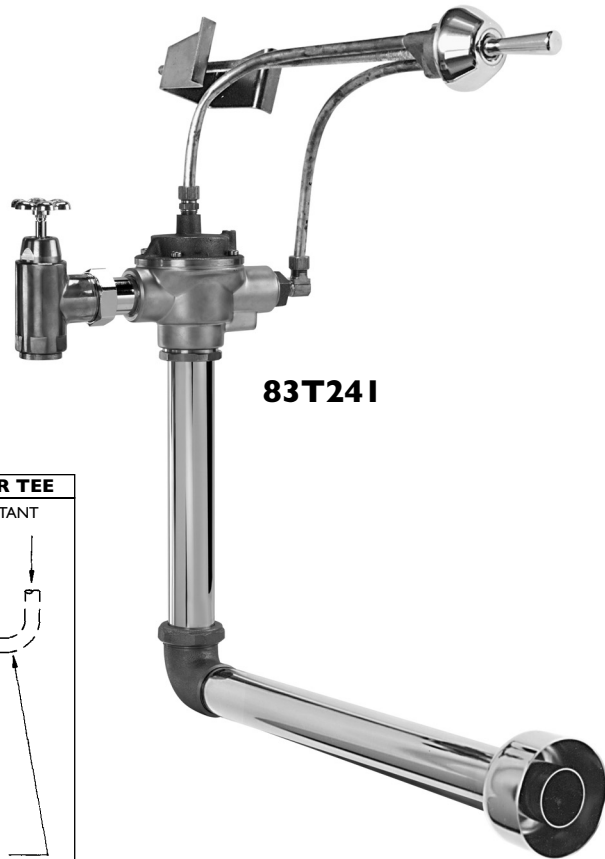


Specification: (example)

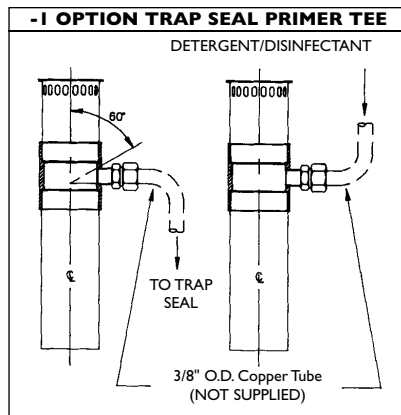
(FOR 1-1/2" FREE-STANDING, BACK INLET CLOSET FIXTURE)

- Quiet action, TECK® concealed diaphragm flush valve
- Chloramine resistant diaphragm
- Forged brass diaphragm retainer
- Renewable seat
- **External water conserving flush volume adjustment**, (except -48 and -6 models) factory set at 60 PSI to 6 litre (1.6 US gal.)
- Metal "non hold open" handle actuator
- Vandal resistant handle control can easily be located and installed anywhere within 6m (20') of flush valve
- Standard flush valve will install on all walls zero to 343mm (13-1/2") thick
- **1" FIP/copper sweat inlet adaptor** wheel handle angle check stop
- Adjustable 121mm (4-3/4") plus or minus 11mm (7/16") inlet/valve outlet centers
- Vacuum breaker
- Wall and spud flanges, concealed sput nut



83T241

- ☐ **83T240** with 16mm (5/8") dia. push button
- ☐ **83T241** with oscillating handle
- ☐ **83T243** with 35mm (1-3/8") dia. push button



OPTIONS: (Add dash number to end product required above.)

- 1 Trap seal primer tee.
- 6 Factory set 6 litre (1.6 US gal.) flush
- Not Field Adjustable**
- 48 Factory set 4.8 litre (1.27 US gal.) flush
- Not Field Adjustable**

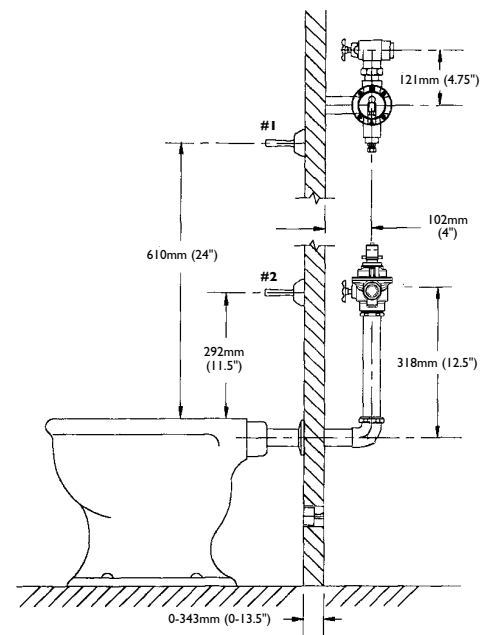
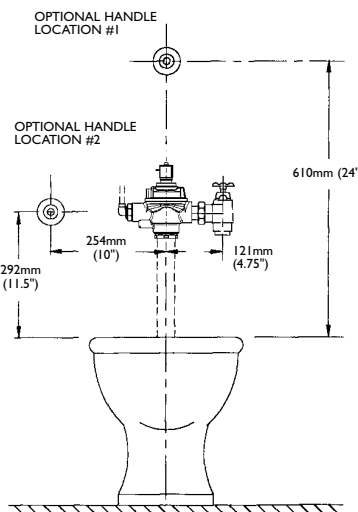


Approvals:

- CSA certified
 - Complies to ASSE 1037
 - Oscillating Lever Handle ADA compliant and meets Handicapped Accessibility Standard ASME A117.1 of less than 5 lbs. operating force.
 - IAPMO Listed
- (Contact Delta Representative for State and/or Local Approvals.)

Engineer/Architect Approval	
Model Specified:	
Approval:	Date:

Note: Measurements may vary ± 6mm (0.25")



Note: For high and low pressure applications, please see page FEA-8IT High Water Pressure note for more details.
Verify flow requirements with bowl manufacturer.