

# Exposed Teck® Flush Valve

**TECK®  
COMMERCIAL**



**Specification: (example)**

**(FOR 1-1/2" TOP INLET CLOSET FIXTURE)**

- Quiet action, TECK® exposed diaphragm flush valve
- Chloramine resistant diaphragm
- Forged brass diaphragm retainer
- Renewable seat
- Polished chrome plated finish
- **External water conserving flush volume adjustment**, (except -48 and -6 models) factory set at 60 PSI to 6 litre (1.6 US gal.)
- Vandal resistant cover screw
- Metal "non hold open" handle
- **1" FIP/copper sweat inlet adaptor** angle check stop with protecting cap
- Adjustable 121mm (4-3/4") plus or minus 11mm (7/16") inlet/valve outlet centers
- Vacuum breaker
- Cover tube and SIS wall flange, spud flange and concealed spud nut

**WITH 292mm (11-1/2") LENGTH:**

- **81T201**  
As above
- **81T201-1**  
Same as 81T201, but with trap seal primer tee
- **81T201-5**  
Same as 81T201, but with center cover bumper
- **81T201-6**  
Same as 81T201, but **Not Field Adjustable**
- **81T201-48**  
Same as 81T201, but factory set at 60 PSI to 4.8 litre (1.27 US gal.), **Not Field Adjustable**
- **81T201-56**  
Same as 81T201-5, but **Not Field Adjustable**
- **81T201-548**  
Same as 81T201-5, but factory set at 60 PSI to 4.8 litre (1.27 US gal.), **Not Field Adjustable**

**With 610mm (24") LENGTH**

- **81T221**  
As above
- **81T221-1**  
Same as 81T221 but with trap seal primer tee
- **81T221-6**  
Same as 81T221, but **Not Field Adjustable**
- **81T221-48**  
Same as 81T221, but factory set at 60 PSI to 4.8 litre (1.27 US gal.), **Not Field Adjustable**

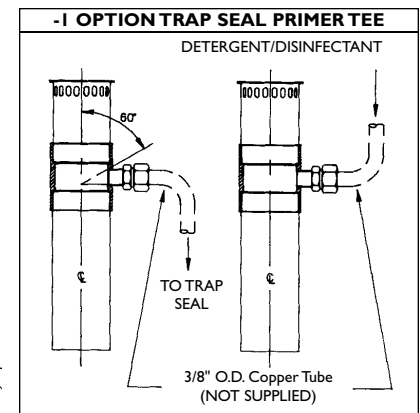
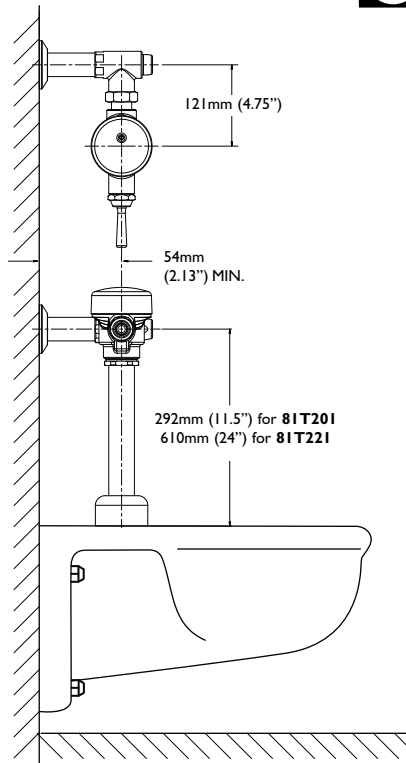


**Approvals:**

- CSA certified
  - Complies to ASSE 1037
  - ADA compliant and meets Handicapped Accessibility Standard ASME A117.1 of less than 5 lbs. operating force.
  - IAPMO Listed
- (Contact Delta Representative for State and/or Local Approvals.)



**81T201**



**Engineer/Architect Approval**

Model Specified: \_\_\_\_\_

Approval: \_\_\_\_\_ Date: \_\_\_\_\_

Note: For high and low pressure applications, please see page FEA-81T High Water Pressure note for more details. Verify flow requirements with bowl manufacturer.

Note: Measurements may vary ± 6mm (0.25")

Refer to [www.specselect.com](http://www.specselect.com) for individual models.

Note: Use this page as a product submittal sheet.

Delta reserves the right (1) to make changes in specifications and materials, and (2) to change or discontinue models, both without notice or obligation. Dimensions are for reference only. See current full-line price book or [www.specselect.com](http://www.specselect.com) for finish options and product availability.

**DSP-81T201**