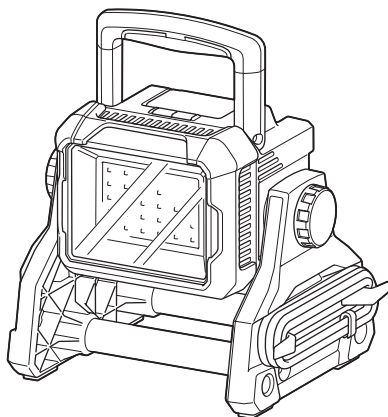


INSTRUCTION MANUAL  
MANUEL D'INSTRUCTION  
MANUAL DE INSTRUCCIONES



# Cordless Worklight Lampe de Chantier Sans Fil Linterna de Trabajo Inalámbrica

## DML811

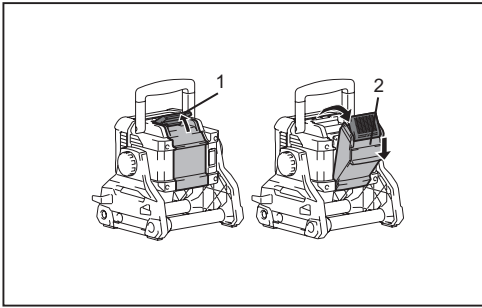


DOUBLE INSULATION  
DOUBLE ISOLATION  
DOBLE AISLAMIENTO

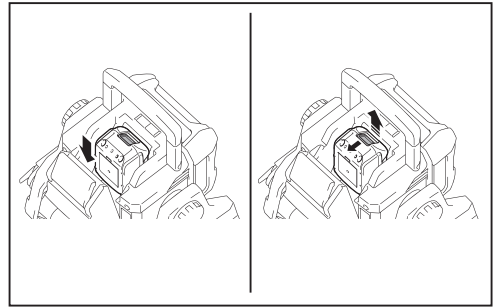
**IMPORTANT:** Read Before Using.

**IMPORTANT :** Lire avant usage.

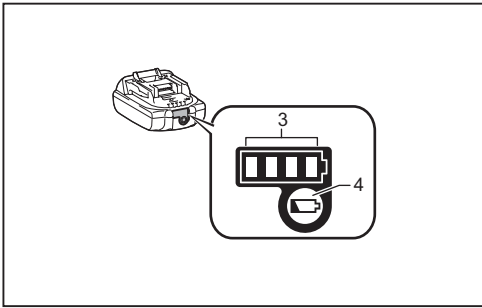
**IMPORTANTE:** Lea antes de usar.



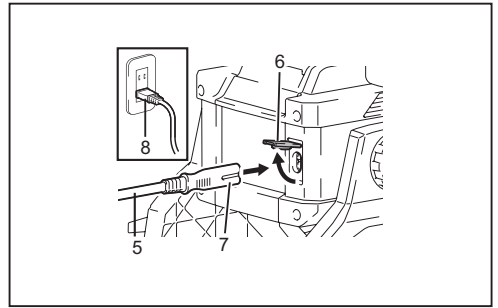
1



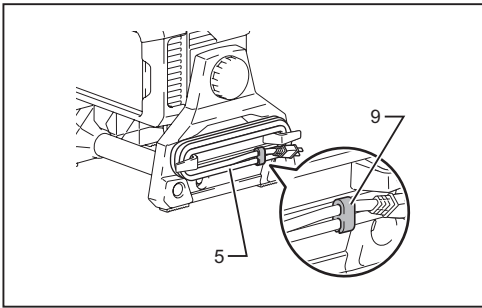
2



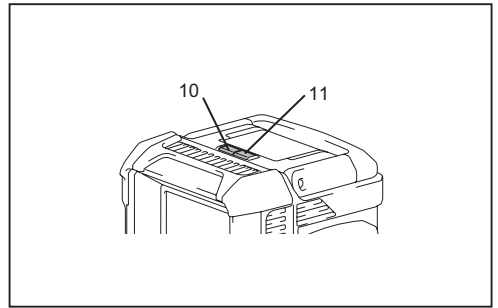
3



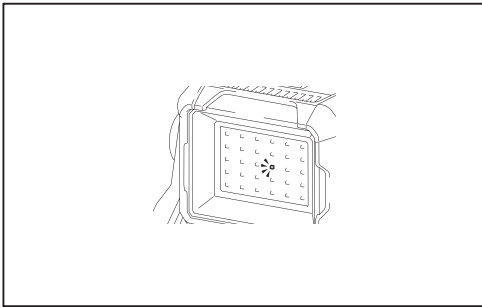
4



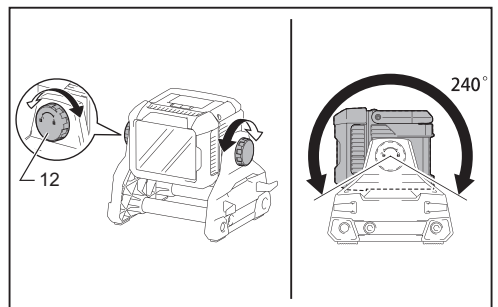
5



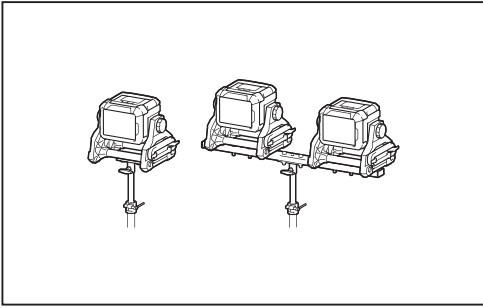
6



7



8



9

## ENGLISH (Original instructions)

### Explanation of general view

- |                    |  |                               |
|--------------------|--|-------------------------------|
| 1. Cover lock      | 6. Socket cover  | 9. Fastener                   |
| 2. Battery cover   | 7. Female plug (for the appliance)                                     | 10. Switch                    |
| 3. Indicator lamps | 8. Male plug (for AC source, the shape varies from country to country) | 11. Brightness mode selection |
| 4. Check button    |  | 12. Knob                      |
| 5. Power cord      |  |                               |

## SPECIFICATIONS

<b>Model:</b>	<b>DML811</b>
LED	30pcs, 31.5W
Power source	120V 50-60Hz AC or 18V DC
Dimensions (L x W x H)	249 mm × 302 mm × 271 mm (9-3/4" × 11-7/8" × 10-5/8")
Net weight	4.1 kg (9.0 lbs)
Pressure receiving area (Lens area)	0.0164 m <sup>2</sup>

- Specifications may differ from country to country.
- The dimensions are with the handle lowered position.
- The weight does not include battery cartridge and power cord.
- Due to our continuing program of research and development, the specifications herein are subject to change without notice.

### Applicable battery cartridge and operating time

Voltage	Applicable battery cartridge	Operating time (Approximately)		
		High	Mid	Low
18V	BL1815N	0.7 hours	1.8 hours	3.5 hours
	BL1820B	1.1 hours	2.4 hours	4.5 hours
	BL1830, BL1830B	1.5 hours	3.0 hours	6.5 hours
	BL1840B	2.1 hours	4.5 hours	9.0 hours
	BL1850B	2.7 hours	5.5 hours	11 hours
	BL1860B	3.0 hours	7.0 hours	13 hours

- Some of the battery cartridges listed above may not be available depending on your region of residence.
- Operating times may differ depending on battery type, charging status, and usage condition.

**⚠ WARNING: Only use the battery cartridges listed above.** Use of any other battery cartridges may cause injury and/or fire.

## Symbols

The following show the symbols used for the equipment. Be sure that you understand their meaning before use.



- Read instruction manual



- Indoor use only



- DOUBLE INSULATION



- Optical Radiation (UV and IR).  
Minimize exposure to eyes or skin.



- Do not stare at operating lamp.



- Use appropriate shielding or eyes protection.



- Take particular care and attention!



- Do not use the appliance in the rain or snow when using with AC power.

## SAFETY WARNING IMPORTANT SAFETY INSTRUCTIONS

**⚠WARNING:** When using appliances, basic safety precautions should always be followed to reduce the risk of fire, electric shock, and personal injury, including the following:

### READ ALL INSTRUCTIONS.

1. When the appliance is not in use, always switch off, and unplug / remove the battery cartridge from the appliance.
2. Do not cover the appliance in operation with cloth or carton, etc. Otherwise it may cause a flame.
3. When using the appliance with AC power, do not use the appliance in damp or wet locations.
4. Do not expose the appliance to rain or snow. Never wash it in water.
5. Do not use the appliance in explosive atmospheres, such as in the presence of flammable liquids, gases or dust.
6. Appliance plugs must match the outlet. Never modify the plugs in any way. Do not use any adapter plugs with earthed (grounded) appliances. Unmodified plugs and matching outlet will reduce risk of electric shock.
7. When operating the appliance, avoid body contact with earthed or grounded surfaces such as pipes, radiators, microwave ovens, or refrigerators. There is an increased risk of electric shock if your body is earthed or grounded.
8. Do not abuse the cord. Never use the cord for carrying, pulling or unplugging the appliance. Keep cord away from heat, oil, sharp edges or moving parts. Damaged or entangled cords increase the risk of electric shock.
9. If the external flexible cable or cord of this luminaire is damaged, it shall be replaced by a special cord or cord exclusively available from the manufacturer or his service agent.
10. Do not stare at the source of light directly.
11. Do not handle the plug with wet or greasy hand.
12. Always place the appliance on a level and stable surface to prevent the appliance from falling.
13. The light source contained in this luminaire shall only be replaced by the manufacture or his service agent or a similar qualified person.
14. Do not leave the power cord disconnected from the appliance while the power is supplied from an outlet. Doing so might cause an electric shock.
15. Do not allow anything to cover or clog the vents of the appliance. Always keep clean the vent for cooling.

## Battery appliance use and care

1. Prevent unintentional starting. Ensure the switch is in the off-position before connecting to battery pack, picking up or carrying the appliance. Carrying the appliance with your finger on the switch or energizing appliance that have the switch on invites accidents.
2. Disconnect the battery pack from the appliance before making any adjustments, changing accessories, or storing appliance. Such preventive safety measures reduce the risk of starting the appliance accidentally.
3. Recharge only with the charger specified by the manufacturer. A charger that is suitable for one type of battery pack may create a risk of fire when used with another battery pack.
4. Use appliances only with specifically designated battery packs. Use of any other battery packs may create a risk of injury and fire.
5. When battery pack is not in use, keep it away from other metal objects, like paper clips, coins, keys, nails, screws or other small metal objects, that can make a connection from one terminal to another. Shorting the battery terminals together may cause burns or a fire.
6. Under abusive conditions, liquid may be ejected from the battery; avoid contact. If contact accidentally occurs, flush with water. If liquid contacts eyes, additionally seek medical help. Liquid ejected from the battery may cause irritation or burns.
7. Do not use a battery pack or appliance that is damaged or modified. Damaged or modified batteries may exhibit unpredictable behavior resulting in fire, explosion or risk of injury.
8. Do not expose a battery pack or appliance to fire or excessive temperature. Exposure to fire or temperature above 130 °C may cause explosion.
9. Follow all charging instructions and do not charge the battery pack or appliance outside of the temperature range specified in the instructions. Charging improperly or at temperatures outside of the specified range may damage the battery and increase the risk of fire.
10. Have servicing performed by a qualified repair person using only identical replacement parts. This will ensure that the safety of the product is maintained.
11. Do not modify or attempt to repair the appliance or the battery pack except as indicated in the instructions for use and care.

## Important safety instructions for battery cartridge

1. Before using battery cartridge, read all instructions and cautionary markings on (1) battery charger, (2) battery, and (3) product using battery.
2. Do not disassemble battery cartridge.
3. If operating time has become excessively shorter, stop operating immediately. It may result in a risk of overheating, possible burns and even an explosion.
4. If electrolyte gets into your eyes, rinse them out with clear water and seek medical attention right away. It may result in loss of your eyesight.
5. Do not short the battery cartridge:
  - (1) Do not touch the terminals with any conductive material.
  - (2) Avoid storing battery cartridge in a container with other metal objects such as nails, coins, etc.
  - (3) Do not expose battery cartridge to water or rain. A battery short can cause a large current flow, overheating, possible burns and even a breakdown.
6. Do not store the appliance and battery cartridge in locations where the temperature may reach or exceed 50°C (122°F).
7. Do not incinerate the battery cartridge even if it is severely damaged or is completely worn out. The battery cartridge can explode in a fire.
8. Be careful not to drop or strike battery.
9. Do not use a damaged battery.
10. The contained lithium-ion batteries are subject to the Dangerous Goods Legislation requirements. For commercial transports e.g. by third parties, forwarding agents, special requirement on packaging and labeling must be observed. For preparation of the item being shipped, consulting an expert for hazardous material is required. Please also observe possibly more detailed national regulations. Tape or mask off open contacts and pack up the battery in such a manner that it cannot move around in the packaging.
11. When disposing the battery cartridge, remove it from the tool and dispose of it in a safe place. Follow your local regulations relating to disposal of battery.
12. Use the batteries only with the products specified by Makita. Installing the batteries to non-compliant products may result in a fire, excessive heat, explosion, or leak of electrolyte.
13. If the tool is not used for a long period of time, the battery must be removed from the tool.

## Tips for maintaining maximum battery life

1. Charge the battery cartridge before completely discharged.  
Always stop appliance operation and charge the battery cartridge when you notice less appliance power.
2. Never recharge a fully charged battery cartridge.  
Overcharging shortens the battery service life.
3. Charge the battery cartridge with room temperature at 10°C - 40°C (50°F - 104°F). Let a hot battery cartridge cool down before charging it.
4. Charge the battery cartridge if you do not use it for a long period (more than six months).

## FCC Cautions to the user

This device complies with part 15 of the FCC Rules.

Operation is subject to the following two conditions:

- (1) This device may not cause harmful interference, and
- (2) this device must accept any interference received, including interference that may cause undesired operation.

The changes or modifications not expressly approved by the party responsible for compliance could void the user's authority to operate the equipment.

The equipment has been tested and found to comply with the limits for a Class B Digital Device, pursuant to part 15 of the FCC Rules. These limits are designed to provide reasonable protection against harmful interference in a residential installation. This equipment generates, uses and can radiate radio frequency energy and, if not installed and used in accordance with the instruction, may cause harmful interference to radio communication. However, there is no guarantee that interference will not occur in a particular installation. If this equipment does cause harmful interference to radio or television reception, which can be determined by turning the equipment off and on, the user is encouraged to try to correct the interference by one or more of the following measures:

- Reorient or relocate the receiving antenna.
- Increase the separation between the equipment and receiver.
- Connect the equipment into an outlet on a circuit different from that to which the receiver is connected.
- Consult the dealer or an experienced radio/TV technician for help.

CAN ICES-005(B)/NMB-005(B)

**USE PROPER EXTENSION CORD.** Make sure your extension cord is in good condition. When using an extension cord, be sure to use one heavy enough to carry the current your product will draw. An undersized cord will cause a drop in line voltage resulting in loss of power and overheating. Table 1 shows the correct size to use depending on cord length and nameplate ampere rating. If in doubt, use the next heavier gage. The smaller the gage number, the heavier the cord.

**Table 1: Minimum gage for cord**

Ampere Rating		Volts	Total length of cord in feet			
		120V	25 ft.	50 ft.	100 ft.	150 ft.
		120V - 240V	50 ft.	100 ft.	200 ft.	300 ft.
More Than	Not More Than	AWG				
0	6	/	18	16	16	14
6	10		18	16	14	12
10	12		16	16	14	12
12	16		14	12	Not Recommended	

000300

## Save all warnings and instructions for future reference.

## FUNCTIONAL DESCRIPTION

### ⚠CAUTION:

- Always be sure that the appliance is switched off, unplugged, and the battery cartridge is removed before adjusting or checking function on the appliance.

### Use with battery:

### Installing or removing battery cartridge

#### ⚠CAUTION:

- Always unplug before installing or removing of the battery cartridge.
- Only use genuine Makita lithium-ion batteries. Use of non-genuine Makita batteries, or batteries that have been altered, may result in the battery bursting causing fires, personal injury and damage. It will also void the Makita warranty for the Makita tool and charger.
- Hold the appliance and the battery cartridge firmly when installing or removing battery cartridge.** Failure to hold the appliance and the battery cartridge firmly may cause them to slip off your hands and result in damage to the appliance and battery cartridge and a personal injury.
- Be careful not to trap finger(s) between the appliance and battery cartridge when loading battery cartridge as well as between the appliance and the battery cover when closing the battery cover.

To install the battery cartridge, release the cover lock, and open the battery cover. **(Fig. 1)**

Insert the battery cartridge. Align the tongue on the battery cartridge with the groove in the housing and slip it into place. Insert it all the way until it locks in place with a little click. If you can see the red indicator on the upper side of the button, it is not locked completely. Then close the battery cover. **(Fig. 2)**

To remove the battery cartridge, slide it from the tool while sliding the button on the front of the cartridge.

#### ⚠CAUTION:









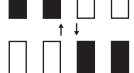
- Always install the battery cartridge fully in place. If not, it may accidentally fall out of the appliance, causing injury to you or someone around you.

- Do not install the battery cartridge forcibly. If the cartridge does not slide in easily, it is not being inserted correctly.

### Indicating the remaining battery capacity (Fig. 3)

(Only for battery cartridges with the indicator)

Press the check button on the battery cartridge to indicate the remaining battery capacity. The indicator lamps light up for few seconds.

Indicator lamps			Remaining capacity
 Lighted	 Off	 Blinking	
			75% to 100%
			50% to 75%
			25% to 50%
			0% to 25%
			Charge the battery.
			The battery may have malfunctioned.

#### NOTE:

- Depending on the conditions of use and the ambient temperature, the indication may differ slightly from the actual capacity.

Use of non-genuine Makita batteries, or batteries that have been altered, will void the Makita warranty for the Makita appliance and charger.

#### Use with AC power:

When using the appliance with AC power, use the power cord which is supplied with the appliance. Let the female plug insert to the appliance and connect the male plug to an outlet. **(Fig. 4)**

### **⚠CAUTION:**

- Insert the female plug into the appliance first completely, then connect the male plug to an outlet.
- Always close the socket cover firmly when the power cord is not plugged.

NOTE: The AC power does not charge the battery inserted to the appliance.

NOTE: Even operating in DC power, the appliance automatically changes to AC power when the power cord is plugged in.

### **Organizing the power cord:**

Coil power cord on stand tightly, then clip end of the cord by using fastener attached. (Fig. 5)

### **Turning on the light and brightness mode selection (Fig. 6)**

1. Switch : Press the switch once, the light turns on (At the same brightness mode as the last setting). Press the switch again, the light turns off.
2. Brightness mode selection: Brightness sequence is : High mode / Mid mode / Low mode / High mode for each press when the light is on.

### **Battery protection system (Fig. 7)**

The appliance is equipped with a battery protection system to extend battery life. When the battery becomes low, the LED lights go out except one LED as illustrated. Then approximately five to ten minutes later, the system automatically cuts off power.

## **OPERATION**

### **⚠CAUTION:**

- This light is intended for commercial use. Do not use the light for household purpose.
- Always put the appliance on flat and stable place. Otherwise a falling accident may occur.

### **Adjusting the angle of the light (Fig. 8)**

Loosen the knobs on the both side. Adjust the angle of the light (adjustment range is 240°). Then tighten the knobs again.

### **⚠CAUTION:**

Take care not to trap finger(s) when adjusting the angle of the light.

### **Using with tripod (optional accessories)**

### **⚠CAUTION:**

- Read carefully the instruction manuals of the accessories before using them with the light.

You can put the light on the tripod to facilitate the operation. (Fig. 9)

### **⚠CAUTION:**

- Be careful not to drop the appliance when attaching the appliance on the tripod.
- Place the tripod on a level and stable surface to prevent from falling.
- Spread the legs of the tripod to the maximum.
- Do not use the tripod if the wind is strong.
- Make sure that the appliance is attached securely on the tripod.
- Remove the appliance when carrying the tripod or when folding the legs of the tripod.
- Be careful not to get your hand caught in the legs of the tripod when closing the tripod.

## **MAINTENANCE**

### **⚠CAUTION:**

- Always be sure that the appliance is switched off, unplugged, and the battery cartridge is removed before attempting to perform inspection or maintenance.
  - Never use gasoline, benzine, thinner, alcohol or the like. Discoloration, deformation or cracks may result.
- Only maintenance work described in this instruction manual may be performed by the user. Any other work must be carried out by Makita authorized service centers.

### **Cleaning**

### **⚠CAUTION:**

- Never wash the appliance in water.
- From time to time wipe off the outside (appliance body) of the appliance using a cloth dampened in soapy water.

## **OPTIONAL ACCESSORIES**

### **⚠CAUTION:**

- These accessories or attachments are recommended for use with your Makita appliance specified in this manual. The use of any other accessories or attachments might present a risk of injury to persons. Only use accessory or attachment for its stated purpose.

If you need any assistance for more details regarding these accessories, ask your local Makita service center.

- Makita genuine battery and charger
- Tripod [Part No:GM00002073]

### **NOTE:**

- Some items in the list may be included in the appliance package as standard accessories. They may differ from country to country.

## **MAKITA LIMITED ONE YEAR WARRANTY Warranty Policy**

Every Makita appliance is thoroughly inspected and tested before leaving the factory. It is warranted to be free of defects from workmanship and materials for the period of ONE YEAR from the date of original purchase. Should any trouble develop during this one year period, return the COMPLETE appliance, freight prepaid, to one of Makita's Factory or Authorized Service Centers. If inspection shows the trouble is caused by defective workmanship or material, Makita will repair (or at our option, replace) without charge.

This Warranty does not apply where:

- repairs have been made or attempted by others;
- repairs are required because of normal wear and tear;
- the appliance has been abused, misused or improperly maintained;
- alterations have been made to the appliance.

IN NO EVENT SHALL MAKITA BE LIABLE FOR ANY INDIRECT, INCIDENTAL OR CONSEQUENTIAL DAMAGES FROM THE SALE OR USE OF THE PRODUCT. THIS DISCLAIMER APPLIES BOTH DURING AND AFTER THE TERM OF THIS WARRANTY. MAKITA DISCLAIMS LIABILITY FOR ANY IMPLIED WARRANTIES, INCLUDING IMPLIED WARRANTIES OF "MERCHANTABILITY" AND "FITNESS FOR A SPECIFIC PURPOSE," AFTER THE ONE YEAR TERM OF THIS WARRANTY.



This Warranty gives you specific legal rights, and you may also have other rights which vary from state to state. Some states do not allow the exclusion or limitation of incidental or consequential damages, so the above limitation or exclusion may not apply to you. Some states do not allow limitation on how long an implied warranty lasts, so the above limitation may not apply to you.

## FRANÇAIS (Mode d'emploi original)

### Explication de la vue générale

- |                              |   |                                 |
|------------------------------|---|---------------------------------|
| 1. Verrouillage de couvercle | 6. Couvre-prise électrique  | 9. Attache                      |
| 2. Couvercle de batterie     | 7. Fiche femelle (pour l'appareil)  | 10. Interrupteur                |
| 3. Témoins lumineux          | 8. Fiche mâle (pour source de courant alternatif, la forme varie suivant le pays) | 11. Choix du mode de luminosité |
| 4. Touche de vérification    |   | 12. Poignée                     |
| 5. Cordon d'alimentation     |   |                                 |

## SPÉCIFICATIONS

<b>Modèle :</b>	<b>DML811</b>
DEL	30 unités, 31,5 W
Source d'alimentation	120 V 50-60 Hz CA ou 18 V CC
Dimensions (longueur x largeur x hauteur)	249 mm × 302 mm × 271 mm (9-3/4" × 11-7/8" × 10-5/8")
Poids net	4,1 kg (9,0 lb)
Zone de réception de pression (zone de la lentille)	0,0164 m <sup>2</sup>

- Les spécifications peuvent varier suivant le pays.
- Les dimensions sont exprimées avec la poignée en position abaissée.
- Le poids n'inclut pas la cartouche de batterie ou le cordon d'alimentation.
- En raison de notre programme continu de recherche et de développement, les spécifications contenues dans ce document sont modifiables sans préavis.

### Cartouche de batterie compatible et durée de fonctionnement

Tension	Cartouche de batterie compatible	Durée de fonctionnement (approximative)		
		Longue	Moyenne	Courte
18 V	BL1815N	0,7 heure	1,8 heure	3,5 heures
	BL1820B	1,1 heure	2,4 heures	4,5 heures
	BL1830, BL1830B	1,5 heure	3,0 heures	6,5 heures
	BL1840B	2,1 heures	4,5 heures	9,0 heures
	BL1850B	2,7 heures	5,5 heures	11 heures
	BL1860B	3,0 heures	7,0 heures	13 heures

- Certaines cartouches de batteries parmi celles listées ci-dessus peuvent ne pas être disponibles suivant votre zone de résidence.
- Les durées de fonctionnement peuvent être différentes suivant le type de batterie, le niveau de charge et les conditions d'utilisation.

**⚠ AVERTISSEMENT :** Utilisez uniquement les batteries listées ci-dessus. L'utilisation de toute autre cartouche de batterie comporte un risque de blessure et/ou d'incendie.

## Symboles

Les symboles suivants sont utilisés pour l'équipement. Assurez-vous de bien comprendre leur signification avant utilisation.



- Lisez le manuel d'instructions



- Pour une utilisation à l'intérieur uniquement



- DOUBLE ISOLATION



- Rayonnement optique (UV et IR). Minimisez l'exposition aux yeux ou à la peau.



- Ne regardez pas fixement la lampe en cours de fonctionnement.



- Utilisez un écran ou une protection oculaire adapté.



- Faites particulièrement attention!



- N'utilisez pas l'appareil sous la pluie ou la neige lors de l'utilisation en courant alternatif.

## AVERTISSEMENT DE SÉCURITÉ INSTRUCTIONS DE SÉCURITÉ IMPORTANTES

**⚠ AVERTISSEMENT** : Lors de l'utilisation d'appareils, respectez toujours les précautions élémentaires de sécurité pour réduire le risque d'incendie, de choc électrique et de blessure, y compris ce qui suit :

### LISEZ TOUTES LES INSTRUCTIONS.

1. L'appareil doit toujours être éteint et débranché/dépouillé de batterie lorsqu'il n'est pas en cours d'utilisation.
2. Ne couvrez pas l'appareil avec du tissu, du carton, etc. lors de l'utilisation, sous peine de causer un incendie.
3. N'utilisez pas l'appareil dans des endroits humides ou mouillés lors de l'utilisation en courant alternatif.
4. N'exposez pas l'appareil à la pluie ou la neige. Ne nettoyez jamais l'appareil dans l'eau.
5. N'utilisez pas l'appareil dans les atmosphères explosives, par exemple en présence de liquides, gaz ou poussières inflammables.
6. Les fiches de l'appareil sont conçues pour s'adapter parfaitement aux prises de courant. Ne modifiez jamais les fiches de quelque façon que ce soit. N'utilisez pas d'adaptateur de fiche sur les appareils avec mise à la terre. En ne modifiant pas les fiches et en les insérant dans une prise de courant pour laquelle elles ont été conçues, les risques de choc électrique sont réduits.

7. Lors de l'utilisation de l'appareil, évitez tout contact corporel avec les surfaces mises à la terre, telles que tuyaux, radiateurs, fours à micro-ondes et réfrigérateurs. Le risque de choc électrique est plus élevé si votre corps se trouve mis à la terre.
8. Ne maltraitez pas le cordon. N'utilisez jamais le cordon pour transporter, tirer ou débrancher l'appareil. Maintenez le cordon à l'écart des sources de chaleur, de l'huile, des objets à bords tranchants et des pièces en mouvement. Le risque de choc électrique est plus élevé lorsque les cordons sont endommagés ou enchevêtrés.
9. Si le cordon ou câble flexible externe de ce luminaire est endommagé, il doit être remplacé par un cordon spécial exclusivement disponible auprès du fabricant ou de son intermédiaire de service.
10. Ne regardez pas directement dans la source de lumière.
11. Ne manipulez pas la fiche avec des mains mouillées ou grasses.
12. Positionnez l'appareil sur une surface plane et stable pour empêcher qu'il ne tombe.
13. La source de lumière contenue dans ce luminaire doit être remplacée uniquement par le fabricant, son intermédiaire de service ou une personne avec des qualifications similaires.
14. Ne laissez pas le cordon d'alimentation débranché de l'appareil lorsqu'une prise fournit de l'alimentation. Cela pourrait causer un choc électrique.
15. Ne laissez pas quoi que ce soit couvrir ou obstruer les ouvertures de l'appareil. Assurez-vous toujours que l'ouverture de refroidissement soit propre.

### Utilisation et entretien de la batterie

1. Empêchez les démarrages accidentels. Assurez-vous que l'interrupteur est en position d'arrêt avant de raccorder le bloc-piles, ainsi qu'avant de saisir ou de transporter l'appareil. Transporter l'appareil avec le doigt sur l'interrupteur ou alimenter l'appareil dont l'interrupteur est en position de marche ouvre la porte aux accidents.
2. Déconnectez le bloc-piles de l'appareil avant d'effectuer tout réglage, de modifier des accessoires ou de ranger l'appareil. De telles mesures préventives réduisent les risques de démarrage accidentel de l'appareil.
3. Pour recharger, utilisez uniquement le chargeur spécifié par le fabricant. L'utilisation d'un chargeur conçu pour un type donné de bloc-piles comporte un risque d'incendie lorsqu'il est utilisé avec un autre type de bloc-piles.
4. Utilisez uniquement les appareils avec les blocs-piles spécifiquement conçus à cet effet. L'utilisation de tout autre bloc-piles comporte un risque de blessure et d'incendie.
5. Lorsque vous n'utilisez pas le bloc-piles, rangez-le à l'écart des objets métalliques tels que les trombones, les pièces de monnaie, les clés, les clous, les vis ou autres petits objets métalliques qui risqueraient d'établir une connexion entre les bornes. La mise en court-circuit des bornes de batterie peut causer des brûlures ou un incendie.

6. Dans des conditions d'utilisation inadéquates de la batterie, il peut y avoir une fuite d'électrolyte; évitez tout contact avec ce liquide. En cas de contact accidentel, rincez abondamment avec de l'eau. Si le liquide entre en contact avec vos yeux, consultez un médecin. L'électrolyte qui s'échappe de la batterie peut causer des irritations ou des brûlures.
7. N'utilisez pas un bloc-piles ou un appareil endommagé ou modifié. Les batteries endommagées ou modifiées peuvent présenter un comportement imprévisible et entraîner un incendie, une explosion ou un risque de blessure.
8. N'exposez pas le bloc-piles ou l'appareil au feu ou à une température excessive. L'exposition au feu ou une température supérieure à 130 °C peut causer une explosion.
9. Suivez toutes les instructions de charge et ne chargez pas le bloc-piles ou l'appareil en dehors de la plage de température spécifiée dans les instructions. Une charge incorrecte ou à des températures en dehors de la plage spécifiée peut endommager la batterie et accroître le risque d'incendie.
10. Faites réparer votre appareil par un réparateur qualifié n'utilisant que des pièces de rechange identiques aux pièces originales. Ceci assurera le maintien de la sécurité de l'appareil.
11. Ne modifiez pas ou n'essayez pas de réparer l'appareil ou le bloc-piles d'une autre façon que celle indiquée dans les instructions d'utilisation et d'entretien.
8. Prenez garde d'échapper ou de heurter la batterie.
9. N'utilisez pas une batterie endommagée.
10. Les batteries lithium-ion fournies sont soumises aux exigences de la législation sur les marchandises dangereuses. Des exigences particulières sur l'emballage et l'étiquetage doivent être respectées lors du transport commercial par des tiers, des transitaires, etc. Pour préparer la marchandise à expédier, consultez un expert en matériaux dangereux si nécessaire. Respectez aussi les éventuelles réglementations nationales plus détaillées. Recouvrez de ruban isolant les contacts exposés, et emballez la batterie de sorte qu'elle ne puisse pas se déplacer à l'intérieur de l'emballage.
11. Lorsque vous jetez la cartouche de batterie, retirez-la de l'outil et jetez-la dans un lieu sûr. Suivez la réglementation locale concernant l'élimination de la batterie.
12. N'utilisez les batteries qu'avec les produits spécifiés par Makita. L'installation des batteries sur des produits non conformes peut causer un incendie, une chaleur excessive, une explosion ou une fuite d'électrolyte.
13. Si l'outil n'est pas utilisé pendant une longue période, la batterie doit être retirée de l'outil.

### Conseils pour maintenir la durée de service maximale de la batterie

1. Rechargez la batterie avant qu'elle ne soit complètement déchargée.  
Arrêtez toujours l'appareil et rechargez la batterie quand vous remarquez que la puissance de l'appareil diminue.
2. Ne rechargez jamais une cartouche de batterie complètement chargée. La surcharge réduit la durée de service de la batterie.
3. Chargez la cartouche de batterie à une température ambiante comprise entre 10 °C et 40 °C (50 °F et 104 °F). Si la cartouche de batterie est chaude, laissez-la refroidir avant de la charger.
4. Chargez la cartouche de batterie si elle est restée inutilisée pendant une période prolongée (plus de six mois).

### Avertissement de la FCC pour l'utilisateur

Ce dispositif est conforme à l'alinéa 15 du règlement de la FCC.

Le fonctionnement est soumis aux deux conditions suivantes :

- (1) Ce dispositif peut causer un brouillage préjudiciable, et
- (2) Ce dispositif doit accepter tout brouillage reçu, y compris un brouillage pouvant causer un fonctionnement indésirable.

Les changements ou modifications n'ayant pas été expressément approuvés par la partie responsable de la conformité peuvent rendre nulle l'autorité de l'utilisateur pour faire fonctionner l'équipement.

## Consignes de sécurité importantes pour la cartouche de batterie

1. Avant d'utiliser la cartouche de batterie, lisez toutes les instructions et les mises en garde apposées sur (1) le chargeur de batterie, (2) la batterie et (3) le produit utilisant la batterie.
2. Ne démontez pas la cartouche de batterie.
3. Cessez immédiatement l'utilisation si le temps de fonctionnement devient excessivement court. Cela peut causer un risque de surchauffe, de brûlures, voire d'explosion.
4. Si l'électrolyte pénètre dans vos yeux, rincez-les à l'eau claire et consultez immédiatement un médecin. Cela peut causer un risque de perte de la vue.
5. Ne court-circuitez pas la cartouche de batterie :
  - (1) Ne touchez les bornes avec aucun matériau conducteur.
  - (2) Évitez de ranger la batterie dans un contenant avec d'autres objets métalliques tels que des clous, des pièces de monnaie, etc.
  - (3) N'exposez pas la batterie à l'eau ou à la pluie. Un court-circuit de la batterie pourrait causer un fort courant, une surchauffe, des brûlures, voire une panne.
6. Ne rangez pas l'appareil ou la cartouche de batterie dans des emplacements où la température peut atteindre ou dépasser 50 °C (122 °F).
7. Ne jetez pas la cartouche de batterie au feu, même si elle est sérieusement endommagée ou complètement épuisée. La cartouche de batterie peut exploser au contact du feu.

L'équipement a été testé et jugé conforme aux limites applicables aux appareils numériques de classe B, conformément à l'alinéa 15 du règlement de la FCC. Ces limites sont conçues pour fournir une protection raisonnable contre le brouillage préjudiciable dans une installation résidentielle. Cet équipement produit, utilise et peut irradier de l'énergie de fréquence radio et, s'il n'est pas installé et utilisé en accord avec les instructions, peut causer un brouillage préjudiciable aux communications radio. Cependant, il n'est pas garanti que ce brouillage interviendra dans une installation particulière. Si cet équipement cause bel et bien un brouillage préjudiciable à la réception radio ou de télévision, ce qui peut être déterminé en allumant et en éteignant l'équipement, l'utilisateur est encouragé à essayer de corriger le brouillage à l'aide de l'une ou plusieurs des mesures suivantes :

- Réorientez ou déplacez l'antenne réceptrice.
- Augmentez la distance entre l'équipement et le récepteur.
- Branchez l'équipement dans une prise connectée à un circuit différent de celui du récepteur.
- Consultez le négociant ou un technicien de radio/ télévision expérimenté pour vous aider.

CAN ICES-005(B)/NMB-005(B)

**UTILISEZ UNE RALLONGE APPROPRIÉE.** Assurez-vous que votre rallonge est en bon état. Lors de l'utilisation d'une rallonge, assurez-vous que cette dernière soit suffisamment lourde pour supporter le courant que votre produit débitera. Une rallonge sous-dimensionnée causera une chute de tension entraînant une perte de puissance et une surchauffe. Le tableau 1 montre la taille correcte à utiliser suivant la longueur de la rallonge et l'intensité nominale indiquée sur la plaque indicatrice. En cas de doute, utilisez le calibre le plus lourd suivant. Plus le numéro de calibre est petit, plus la rallonge est lourde.

**Tableau 1 : Calibre minimum pour la rallonge**

Intensité nominale		Volts	Longueur totale de la rallonge en pieds			
		120 V	25 pi.	50 pi.	100 pi.	150 pi.
		120 V – 240 V	50 pi.	100 pi.	200 pi.	300 pi.
Plus que	Pas plus que	CAL				
0	6	/	18	16	16	14
6	10		18	16	14	12
10	12		16	16	14	12
12	16		14	12	Non recommandé	

000300

**Conservez tous les avertissements et toutes les instructions pour référence future.**

## DESCRIPTION FONCTIONNELLE

### ⚠ ATTENTION :

- Assurez-vous toujours que l'appareil est éteint et débranché et que sa batterie est retirée avant de le régler ou de vérifier son fonctionnement.

### Utilisation avec batterie :

#### Installation ou retrait de la cartouche de batterie

### ⚠ ATTENTION :

- Débranchez toujours l'appareil avant d'installer ou de retirer la cartouche de batterie.
- Utilisez uniquement des batteries d'origine Makita au lithium-ion. Les batteries autres que celles fabriquées par Makita ou les batteries modifiées peuvent exploser et causer un incendie, une blessure ou des dommages. Cela annule aussi la garantie Makita de l'outil et du chargeur Makita.
- Tenez fermement l'appareil et la cartouche de batterie lors de l'installation ou du retrait de cette dernière.**

Si l'appareil et la cartouche de batterie ne sont pas tenus fermement, ils risquent de glisser des mains, ce qui peut entraîner des dommages à l'appareil et à la cartouche de batterie, et causer des blessures.

- Faites attention à ne pas coincer vos doigts entre l'appareil et la cartouche de batterie lors du chargement de la cartouche de batterie, ainsi qu'entre l'appareil et le couvercle de batterie en fermant le couvercle de batterie.

Pour installer la cartouche de batterie, libérez le verrouillage du couvercle et ouvrez le couvercle de batterie. (Fig. 1)

Insérez la cartouche de batterie. Alignez la languette sur la cartouche de batterie avec la rainure du boîtier, et glissez la cartouche en place. Insérez-la à fond, jusqu'à ce qu'elle se verrouille avec un léger déclic. Si le voyant rouge est visible sur la face supérieure du bouton, elle n'est pas parfaitement verrouillée. Fermez ensuite le couvercle de batterie. (Fig. 2)

Pour retirer la cartouche de batterie, faites-la glisser hors de l'outil tout en glissant le bouton qui se trouve à l'avant.

### ⚠ ATTENTION :

- Installez toujours la cartouche de batterie complètement en place. Sans quoi, elle risque de tomber accidentellement de l'appareil et d'entraîner des blessures.
- Ne forcez pas sur la batterie pour l'installer. Si la batterie ne glisse pas facilement, c'est qu'elle n'est pas insérée correctement.

## Indication de la charge restante de la batterie (Fig. 3)

(Seulement pour les cartouches de batterie avec le témoin)

Appuyez sur la touche de vérification située sur la cartouche de batterie pour indiquer la capacité de batterie restante. Les témoins lumineux s'allument pendant quelques secondes.

Témoins lumineux			Capacité restante
Allumé	Éteint	Clignotant	
■	□	◐	75 % à 100 %
■	■	■	
■	■	□	50 % à 75 %
■	□	□	25 % à 50 %
◐	□	□	0 % à 25 %
◐	□	□	Recharger la batterie.
■	■	□	Dysfonctionnement possible de la batterie.
□	□	■	

### REMARQUE :

- Suivant les conditions d'utilisation et la température ambiante, l'indication peut être légèrement différente de la capacité réelle.

Les batteries autres que celles fabriquées par Makita ou les batteries modifiées rendroclipsez la garantie Makita nulle pour l'appareil et le chargeur Makita.

### Utilisation en courant alternatif :

Lors de l'utilisation de l'appareil en courant alternatif, utilisez le cordon d'alimentation fourni avec l'appareil. Insérez la fiche femelle dans l'appareil et branchez la fiche mâle à une prise électrique. (Fig. 4)

### ⚠ ATTENTION :

- Insérez d'abord la fiche femelle entièrement dans l'appareil puis branchez la fiche mâle à une prise électrique.
- Fermez toujours bien le couvre-prise électrique lorsque le cordon d'alimentation n'est pas branché.

REMARQUE : Le courant alternatif ne recharge pas la batterie insérée dans l'appareil.

REMARQUE : Même lors du fonctionnement en courant continu, l'appareil change automatiquement en courant alternatif lorsque le cordon d'alimentation est branché.

### Organisation du cordon d'alimentation :

Enroulez fermement le cordon d'alimentation sur le support, puis clipsez le bout du cordon à l'aide de l'attache fixée. (Fig. 5)

## Allumage de la lumière et choix du mode de luminosité (Fig. 6)

1. Interrupteur : Appuyez une fois sur l'interrupteur, la lumière s'allume (au même mode de luminosité que lors de la dernière configuration). Appuyez de nouveau sur l'interrupteur, la lumière s'éteint.
2. Choix du mode de luminosité : La séquence de luminosité est : Mode élevé/Mode moyen/Mode faible/Mode élevé pour chaque pression lorsque la lumière est allumée.

## Système de protection de la batterie (Fig. 7)

L'appareil est équipé d'un système de protection de la batterie pour prolonger la durée de vie de la batterie. Lorsque la batterie est faible, les lumières DEL s'éteignent à l'exception d'une DEL comme illustré. Approximativement cinq à dix minutes plus tard, le système coupe automatiquement le courant.

## FONCTIONNEMENT

### ⚠ATTENTION :

- Cette lampe est destinée à un usage commercial. N'utilisez pas la lampe à des fins domestiques.
- Placez toujours l'appareil sur une surface plate et stable. Faute de quoi, l'appareil peut tomber.

## Réglage de l'angle de la lumière (Fig. 8)

Desserrez les poignées de chaque côté. Réglez l'angle de la lumière (la plage de réglage est de 240°). Puis, resserrez les poignées de nouveau.

### ⚠ATTENTION :

Faites attention à ne pas coincer vos doigts lors du réglage de l'angle de la lumière.

## Utilisation avec un trépied (accessoires en option)

### ⚠ATTENTION :

- Lisez attentivement les manuels d'instruction des accessoires avant de les utiliser avec la lampe.

Vous pouvez mettre la lampe sur le trépied pour en faciliter le fonctionnement. (Fig. 9)

### ⚠ATTENTION :

- Faites attention à ne pas faire tomber l'appareil lorsque vous l'attachez au trépied.
- Positionnez le trépied sur une surface plane et stable pour empêcher qu'il ne tombe.
- Écartez au maximum les pieds du trépied.
- N'utilisez pas le trépied en cas de vent fort.
- Assurez-vous que l'appareil soit bien attaché au trépied.
- Retirez l'appareil pour transporter le trépied ou pour plier les pieds du trépied.
- Faites attention à ne pas coincer votre main dans les pieds du trépied lorsque vous le fermez.

## ENTRETIEN

### ⚠ATTENTION :

- Assurez-vous toujours que l'appareil est éteint et débranché et que la cartouche de batterie est retirée avant d'effectuer une inspection ou un entretien.
- N'utilisez jamais d'essence, de benzine, de solvant, d'alcool ou autres produits similaires. Une décoloration, une déformation ou la formation de fissures peuvent en découler.

Seules les tâches d'entretien décrites dans ce manuel d'instruction peuvent être effectuées par l'utilisateur.

Toute autre tâche doit être effectuée par un centre de service Makita agréé.

## Nettoyage

### ⚠ATTENTION :

- Ne lavez jamais l'appareil dans l'eau.
- Passez de temps en temps un tissu humidifié avec de l'eau savonneuse sur l'extérieur (le corps de l'appareil) de l'appareil.

## ACCESSOIRES OPTIONNELS

### ⚠ATTENTION :

- Ces accessoires ou pièces sont recommandés pour l'utilisation avec l'appareil Makita spécifié dans ce manuel. L'utilisation de tout autre accessoire ou pièce peut comporter un risque de blessure. N'utiliser les accessoires ou pièces qu'aux fins auxquelles ils ont été conçus.

Pour plus d'informations concernant ces accessoires, contactez le centre de service Makita le plus proche.

- Batterie et chargeur d'origine Makita
- Trépied [numéro de référence : GM00002073]

### REMARQUE :

- Certains éléments de la liste peuvent être inclus avec l'outil comme accessoire standard. Ils peuvent varier suivant le pays.

## GARANTIE LIMITÉE MAKITA D'UN AN Politique de garantie

Chaque appareil Makita est soigneusement inspecté et testé avant de quitter l'usine. Il est garanti sans défaut de fabrication et de matériaux pendant une période d'UN AN à compter de la date d'achat original. Si un souci venait à se développer au cours de cette période d'un an, rappez l'appareil ENTIER, fret payé d'avance, à l'une des usines Makita ou à l'un des centres de service agréés. Si l'inspection révèle que le souci est causé par un défaut de fabrication ou de matériau, Makita effectuera une réparation (ou, à notre convenance, un remplacement) gratuitement.

La présente Garantie ne s'applique pas dans les cas où :

- des réparations ont été effectuées ou tentées par d'autres personnes;
- des réparations sont nécessaires à cause d'une usure naturelle;
- l'appareil a été mal entretenu ou utilisé de façon abusive ou inappropriée;
- des modifications ont été effectuées sur l'appareil.

MAKITA NE SERA EN AUCUN CAS RESPONSABLE DE TOUT DOMMAGE INDIRECT, ACCESSOIRE OU CONSÉCUTIF DÉCOULANT DE LA VENTE OU DE L'UTILISATION DU PRODUIT. CET AVERTISSEMENT S'APPLIQUE PENDANT ET APRÈS LA DURÉE DE LA PRÉSENTE GARANTIE. MAKITA DÉCLINE TOUTE RESPONSABILITÉ POUR TOUTE GARANTIE IMPLICITE, Y COMPRIS LES GARANTIES IMPLICITES DE « QUALITÉ MARCHANDE » ET D'« ADÉQUATION À UN USAGE SPÉCIFIQUE » APRÈS LA DURÉE D'UN AN DE LA PRÉSENTE GARANTIE.

La présente Garantie vous octroie des droits légaux spécifiques, et vous pouvez aussi disposer d'autres droits suivant votre pays. Certains pays n'autorisent pas l'exclusion ou la limitation de dommages accessoires ou consécutifs, donc l'exclusion ou la limitation ci-dessus peut ne pas s'appliquer à votre cas. Certains pays n'autorisent pas la limitation de la durée d'une garantie implicite, donc la limitation ci-dessus peut ne pas s'appliquer à votre cas.



## ESPAÑOL (Instrucciones originales)

### Explicación de la vista general

- |                          |  |                                  |
|--------------------------|--|----------------------------------|
| 1. Candado de tapa       | 6. Tapa de enchufe   | 9. Sujetador                     |
| 2. Tapa de batería       | 7. Conector hembra (para el dispositivo)                                   | 10. Interruptor                  |
| 3. Luces indicadoras     | 8. Conector macho (para fuente de CA, la forma varía dependiendo del país) | 11. Selección del modo de brillo |
| 4. Botón de verificación |  | 12. Perilla                      |
| 5. Cable de alimentación |  |                                  |

## ESPECIFICACIONES

<b>Modelo:</b>	<b>DML811</b>
LED	30 piezas, 31,5 W
Fuente de alimentación	120 V 50-60 Hz CA o 18 V CC
Dimensiones (L x A x Alt)	249 mm x 302 mm x 271 mm (9-3/4" x 11-7/8" x 10-5/8")
Peso neto	4,1 kg (9,0 lb)
Área de recepción de presión (Área del lente)	0,0164 m <sup>2</sup>

- Las especificaciones pueden variar de país a país.
- Las dimensiones son con la posición baja de la manija.
- El peso no incluye el cartucho de batería ni el cable de alimentación.
- Debido a nuestro programa continuo de investigación y desarrollo, las especificaciones aquí descritas están sujetas a cambios sin previo aviso.

### Tiempo de operación y cartucho de batería aplicable

Voltaje	Cartucho de batería aplicable	Tiempo de operación (aproximadamente)		
		Alto	Medio	Bajo
18 V	BL1815N	0,7 horas	1,8 horas	3,5 horas
	BL1820B	1,1 horas	2,4 horas	4,5 horas
	BL1830, BL1830B	1,5 horas	3,0 horas	6,5 horas
	BL1840B	2,1 horas	4,5 horas	9,0 horas
	BL1850B	2,7 horas	5,5 horas	11 horas
	BL1860B	3,0 horas	7,0 horas	13 horas

- Algunos de los cartuchos de batería listados anteriormente pueden no estar disponibles dependiendo de su región de residencia.
- Los tiempos de operación pueden variar dependiendo del tipo de batería, el estado de carga y la condición de uso.

**⚠ ADVERTENCIA:** Sólo use los cartuchos de batería listados anteriormente. El uso de cualquier otro cartucho de batería puede ocasionar lesiones y/o incendios.

## Símbolos

La siguiente información muestra los símbolos usados para el equipo. Asegúrese de entender su significado antes de usarlo.



- Lea el manual de instrucciones



- Uso en interiores únicamente



- DOBLE AISLAMIENTO



- Radiación óptica (UV e IR).  
Máxima exposición a los ojos o la piel.



- No mire fijamente la lámpara encendida.



- Use protección adecuada o protección para los ojos.



- ¡Tenga especial cuidado y atención!



- No use el dispositivo en la lluvia ni la nieve al usarlo con alimentación de CA.

## ADVERTENCIA DE SEGURIDAD INSTRUCCIONES DE SEGURIDAD IMPORTANTES

**⚠️ ADVERTENCIA:** Al usar los dispositivos, se deben seguir siempre precauciones de seguridad básicas para reducir el riesgo de incendio, descarga eléctrica y lesiones personales, incluyendo lo siguiente:

### LEA TODAS LAS INSTRUCCIONES.

1. Cuando el dispositivo no está en uso, siempre apáguelo y desconéctelo o remueva el cartucho de batería del dispositivo.
2. No cubra el dispositivo mientras esté en funcionamiento con trapo, cartón, etc. De lo contrario, podría producirse una flama.
3. Al usar el dispositivo con alimentación de CA, no lo use en lugares húmedos o mojados.
4. No exponga el dispositivo a la lluvia ni la nieve. Nunca lo lave en agua.
5. No use el dispositivo en atmósferas explosivas, tal como en la presencia de líquidos, gases o polvo inflamables.
6. Los enchufes del dispositivo deberán encajar perfectamente en la toma de corriente. No modifique nunca los enchufes de ninguna forma. No utilice ningún adaptador de enchufe con dispositivos que tengan conexión a tierra (puesta a tierra). El uso de enchufes no modificados y que encajen perfectamente en la toma de corriente reducirá el riesgo de que se produzca una descarga eléctrica.

7. Al operar el dispositivo, evite tocar con el cuerpo superficies conectadas a tierra o puestas a tierra tales como tubos, radiadores, hornos de microondas o refrigeradores. Si su cuerpo es puesto a tierra o conectado a tierra existirá un mayor riesgo de que sufra una descarga eléctrica.
8. No maltrate el cable. Nunca use el cable para transportar, jalar o desconectar el dispositivo. Mantenga el cable alejado del calor, aceite, objetos cortantes o piezas móviles. Los cables dañados o enredados aumentan el riesgo de sufrir una descarga eléctrica.
9. Si el cable flexible externo de esta lámpara se daña, debe ser reemplazado por un cable especial que está disponible exclusivamente con el fabricante o su agente de servicio.
10. No mire fijamente la fuente de luz de forma directa.
11. No maneje el enchufe con las manos mojadas o grasosas.
12. Siempre coloque el dispositivo sobre una superficie nivelada y estable para evitar que se caiga.
13. La fuente de luz que contiene esta lámpara sólo debe ser reemplazada por el fabricante o su agente de servicio o por una persona similar calificada.
14. No deje desconectado el cable de alimentación del dispositivo mientras se está suministrando energía desde una salida. Hacerlo puede ocasionar una descarga eléctrica.
15. No permita que nada cubra o bloquee las ventilaciones del dispositivo. Siempre mantenga limpia la ventilación para enfriamiento.

### Uso y cuidado de la batería del dispositivo

1. Evite que el dispositivo arranque involuntariamente. Asegúrese de que el interruptor está en la posición de apagado antes de conectar el dispositivo a las baterías, levantarlo o transportarlo. Transportar el dispositivo con su dedo sobre el interruptor o dar energía al dispositivo con el interruptor en posición de encendido puede ocasionar un accidente.
2. Desconecte las baterías del dispositivo antes de hacer cualquier ajuste, cambiar accesorios o almacenarlo. Estas medidas de seguridad preventivas reducen el riesgo de que el dispositivo se inicie accidentalmente.
3. Recargue sólo con el cargador especificado por el fabricante. Un cargador que es adecuado para un solo tipo de batería puede generar riesgo de incendio al ser utilizado con otra batería.
4. Use los dispositivos únicamente con las baterías designadas específicamente para ellos. La utilización de cualquier otra batería puede crear un riesgo de lesiones o incendio.
5. Cuando no se esté usando la batería, manténgala alejada de otros objetos metálicos, como sujetapapeles (clips), monedas, llaves, clavos, tornillos u otros objetos pequeños de metal los cuales pueden actuar creando una conexión entre las terminales de la batería. Originar un cortocircuito en las terminales puede causar quemaduras o incendios.

6. En condiciones abusivas, podrá escapar líquido de la batería; evite tocarlo. Si lo toca accidentalmente, enjuague con agua. Si hay contacto del líquido con los ojos, busque asistencia médica. Puede que el líquido expulsado de la batería cause irritación o quemaduras.
7. No use baterías o dispositivos que estén dañados o hayan sido modificados. Las baterías dañadas o modificadas pueden exhibir comportamientos impredecibles y ocasionar incendios, explosiones o riesgos de lesiones.
8. No exponga las baterías ni el dispositivo al fuego o a temperaturas excesivas. La exposición al fuego o a temperaturas superiores a los 130 °C puede causar una explosión.
9. Siga todas las instrucciones de carga y no cargue la batería o el dispositivo fuera del rango de temperatura especificado en las instrucciones. La carga inadecuada o a temperaturas fuera del rango especificado puede dañar la batería y aumentar el riesgo de un incendio.
10. Asegúrese de que su dispositivo reciba mantenimiento por parte de una persona de reparación calificada utilizando sólo piezas de repuesto idénticas. Esto garantizará que se mantenga la seguridad del producto.
11. No modifique ni intente reparar el dispositivo ni las baterías de una forma distinta a la indicada en las instrucciones de uso y cuidado.
7. Nunca incinere el cartucho de batería incluso en el caso de que esté dañado seriamente o ya no sirva en absoluto. El cartucho de batería puede explotar si se tira al fuego.
8. Tenga cuidado de no dejar caer ni golpear la batería.
9. No use una batería dañada.
10. Las baterías de ión de litio están sujetas a los requisitos reglamentarios en materia de bienes peligrosos. Para el transporte comercial, por ej., mediante terceros o agentes de transporte, se deben tomar en cuenta los requisitos especiales relativos al empaque y el etiquetado. Para efectuar los preparativos del artículo que se va a enviar, se requiere consultar a un experto en materiales peligrosos. Si es posible, consulte además otras regulaciones nacionales más detalladas. Pegue o cubra con cinta adhesiva los contactos abiertos y empaque la batería de manera que ésta no pueda moverse dentro del paquete.
11. Al desechar el cartucho de batería, remuévalo del dispositivo y tírelo en un lugar seguro. Siga las regulaciones locales relacionadas al desecho de las baterías.
12. Use las baterías únicamente con los productos especificados por Makita. La instalación de las baterías en productos no conformes puede producir incendios, temperaturas excesivas, explosiones o pérdida de electrolitos.
13. Si el dispositivo no es usado durante un largo periodo de tiempo, la batería debe ser removida del dispositivo.

## Instrucciones importantes de seguridad para el cartucho de batería

1. Antes de usar el cartucho de batería, lea todas las instrucciones e indicaciones de precaución en (1) el cargador de batería, (2) la batería, y (3) el producto con el que se utiliza la batería.
2. No desarme el cartucho de batería.
3. Si el tiempo de operación se ha acortado en exceso, deje de operar de inmediato. Podría correrse el riesgo de sobrecalentamiento, posibles quemaduras e incluso explosión.
4. En caso de que ingresen electrolitos en sus ojos, enjuáguelos bien con agua limpia y consulte de inmediato a un médico. Esto podría ocasionar pérdida de visión.
5. Evite cortocircuitar el cartucho de batería:
  - (1) No toque las terminales con ningún material conductor.
  - (2) Evite guardar el cartucho de batería en un cajón junto con otros objetos metálicos, tales como clavos, monedas, etc.
  - (3) No exponga el cartucho de batería al agua o la lluvia.
 Un cortocircuito en la batería puede causar un flujo grande de corriente, sobrecalentamiento, posibles quemaduras e incluso una descompostura.
6. No guarde el dispositivo ni el cartucho de batería en lugares donde la temperatura pueda alcanzar o exceder los 50 °C (122 °F).

## Consejos para alargar al máximo la vida útil de la batería

1. Cargue el cartucho de batería antes de que se descargue completamente. Detenga siempre la operación y cargue el cartucho de batería cuando note menos potencia en el dispositivo.
2. No cargue nunca un cartucho de batería que esté completamente cargado. La sobrecarga acortará la vida de servicio de la batería.
3. Cargue el cartucho de batería a una temperatura ambiente de 10 °C - 40 °C (50 °F - 104 °F). Si un cartucho de batería está caliente, déjelo enfriar antes de cargarlo.
4. Cargue el cartucho de batería si no va a utilizarlo durante un período prolongado (más de seis meses).

## Precauciones de FCC para el usuario

Este dispositivo cumple con la parte 15 de las normas de FCC.

La operación está sujeta a las siguientes dos condiciones:

- (1) Este dispositivo no puede ocasionar interferencias dañinas y
- (2) este dispositivo debe aceptar cualquier interferencia recibida, incluyendo la interferencia que puede ocasionar una operación no deseada.

Los cambios o modificaciones que no sean expresamente aprobados por la parte responsable del cumplimiento podrían anular la autoridad del usuario para operar el equipo.

El equipo ha sido probado y comprobado para cumplir con los límites para un dispositivo digital clase B, en conformidad con la parte 15 de las normas de FCC. Estos límites están diseñados para proporcionar una protección razonable contra interferencias dañinas en una instalación residencial. Este equipo genera, usa y puede radiar energía de frecuencias de radio y, si no se instala y usa de acuerdo con las instrucciones, puede ocasionar interferencias dañinas para la comunicación de radio. Sin embargo, no hay garantías de que esa interferencia no ocurra en una instalación particular. Si este equipo causa interferencias dañinas para la recepción de radio o televisión, lo cual puede determinarse al apagar y encender el equipo, se recomienda al usuario que trate de corregir la interferencia al tomar una o más de las siguientes medidas:

- Reorientar o reubicar la antena de recepción.
- Incrementar la separación entre el equipo y el receptor.
- Conectar el equipo en una salida que esté en un circuito diferente al cual está conectado el receptor.
- Consultar al distribuidor o a un técnico de radio/TV experto para obtener ayuda.

CAN ICES-005(B)/NMB-005(B)

#### USO ADECUADO DEL CABLE DE EXTENSIÓN.

Asegúrese de que su cable de extensión esté en buenas condiciones. Al usar un cable de extensión, asegúrese de que sea suficientemente fuerte para la corriente que requiere su producto. Un cable de capacidad insuficiente ocasionará una caída en el voltaje de la línea, lo que resulta en la pérdida de energía y sobrecalentamiento. La Tabla 1 muestra el tamaño correcto que se debe usar dependiendo de la longitud del cable y la clasificación de amperios indicada en la placa. Si tiene dudas, use el calibre más pesado. Mientras más bajo sea el número del calibre, más pesado será el cable.

**Tabla 1: Calibre mínimo para el cable**

Clasificación de amperios		Voltios	Longitud total del cable en pies			
		120 V	25 ft.	50 ft.	100 ft.	150 ft.
		120 V - 240 V	50 ft.	100 ft.	200 ft.	300 ft.
Más de	No más de	AWG				
0	6	/	18	16	16	14
6	10		18	16	14	12
10	12		16	16	14	12
12	16		14	12	No recomendado	

000300

**Guarde todas las advertencias e instrucciones para consultar en el futuro.**

## DESCRIPCIÓN FUNCIONAL

### ⚠️ PRECAUCIÓN:

- Asegúrese siempre de que el dispositivo esté apagado y el cartucho de batería haya sido extraído antes de realizar cualquier ajuste o comprobación en el dispositivo.

### Uso con batería:

### Instalación o extracción del cartucho de batería

### ⚠️ PRECAUCIÓN:

- Desconecte siempre antes de colocar o quitar el cartucho de batería.
- Utilice únicamente baterías originales de ion de litio Makita. El uso de baterías no originales de Makita, o de baterías alteradas, puede ocasionar que las baterías exploten causando un incendio, lesiones personales y daños. Asimismo, esto invalidará la garantía de Makita para la herramienta y el cargador Makita.
- **Sujete el dispositivo y el cartucho de la batería con firmeza al colocar o quitar el cartucho de batería.** Si no se sujeta con firmeza el dispositivo y el cartucho de batería, puede ocasionar que se resbalen de sus manos causando daños al dispositivo y al cartucho de batería, así como lesiones a la persona.
- Tenga cuidado de que no se atrapen sus dedos entre el dispositivo y el cartucho de batería al instalar el cartucho de batería, así como entre el dispositivo y la tapa de batería al cerrar la tapa.

Para instalar el cartucho de batería, libere el candado de la tapa y abra la tapa de la batería. (Fig. 1)

Inserte el cartucho de batería. Alinee la lengüeta sobre el cartucho de batería con la ranura en la carcasa y deslice en su lugar. Inserte por completo hasta que se fije en su lugar con un pequeño clic. Si puede ver el indicador rojo del lado superior del botón, esto indica que no ha quedado fijo por completo. Después cierre la tapa de la batería. (Fig. 2)

Para quitar el cartucho de batería, deslícelo de la herramienta mientras desliza el botón sobre la parte delantera del cartucho.














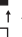
### ⚠️ PRECAUCIÓN:

- Siempre instale el cartucho de batería de forma que quede perfectamente colocado en su lugar. Si no, podría accidentalmente salirse del dispositivo y caer al suelo causando una lesión a usted o alguien a su alrededor.
- No instale el cartucho de batería a la fuerza. Si el cartucho no se desliza al interior fácilmente, se debe a que no está siendo insertado correctamente.

## Indicación de la capacidad restante de la batería (Fig. 3)

(Sólo para cartuchos de batería con el indicador)

Presione el botón de verificación en el cartucho de batería para que indique la capacidad restante de la batería. Las lámparas indicadoras se iluminan durante algunos segundos.

Luces indicadoras			Capacidad restante
			
Iluminadas	Apagadas	Parpadeando	
			75 % a 100 %
			50 % a 75 %
			25 % a 50 %
			0 % a 25 %
			Cargue la batería.
			Es posible que la batería haya fallado.

### NOTA:

- Dependiendo de las condiciones de uso y de la temperatura ambiente, la indicación puede ser ligeramente diferente a la capacidad real.

El uso de baterías no originales de Makita, o de baterías que han sido alteradas, anulará la garantía Makita para el dispositivo y el cargador Makita.

### Uso con alimentación de CA:

Al usar el dispositivo con alimentación de CA, use el cable de alimentación que es suministrado con el dispositivo. Deje el enchufe hembra conectado al dispositivo y conecte el enchufe macho a una salida. (Fig. 4)

### ⚠️ PRECAUCIÓN:

- Inserte el enchufe hembra en el dispositivo primero completamente, después conecte el enchufe macho a una salida.
- Siempre cierre la tapa del enchufe cuando el cable de alimentación no esté conectado.

NOTA: La alimentación de CA no carga la batería insertada en el dispositivo.

NOTA: Incluso al operar con alimentación de CC, el dispositivo cambia automáticamente a alimentación de CA cuando se conecta el cable de alimentación.

### Organización del cable de alimentación:

Enrolle el cable de alimentación en la base de forma ajustada, después fije el extremo del cable usando el sujetador adjunto. (Fig. 5)

## Encender la selección del modo de brillo (Fig. 6)

1. Interruptor : Presione el interruptor una vez, la luz se enciende (en el mismo modo de brillo de la última configuración). Presione el interruptor de nuevo, la luz se apaga.

2. Selección del modo de brillo: La secuencia de brillo es la siguiente : Modo alto / Modo medio / Modo bajo / Modo alto por cada vez que se presione cuando la luz está encendida.

## Sistema de protección de la batería (Fig. 7)

El dispositivo está equipado con un sistema de protección de la batería para extender la vida de la batería. Cuando la energía de la batería es baja, las luces LED se apagan con excepción de un LED, como se ilustra. Después, aproximadamente de cinco a diez minutos más tarde, el sistema automáticamente corta la energía.

## OPERACIÓN

### ⚠PRECAUCIÓN:

- Esta luz está diseñada para uso comercial. No use la luz para propósitos residenciales.
- Siempre ponga el dispositivo sobre una superficie plana y estable. De lo contrario, puede ocurrir un accidente por una caída.

## Ajustar el ángulo de la luz (Fig. 8)

Afloje las perillas en ambos lados. Ajuste el ángulo de la luz (el rango de ajuste es de 240°). Después apriete las perillas de nuevo.

### ⚠PRECAUCIÓN:

Tenga cuidado para que no se queden atrapados sus dedos al ajustar el ángulo de la luz.

## Uso con trípode (accesorios opcionales)

### ⚠PRECAUCIÓN:

- Lea cuidadosamente los manuales de instrucciones de los accesorios antes de usarlos con la luz.

Puede poner la luz en el trípode para facilitar la operación. (Fig. 9)

### ⚠PRECAUCIÓN:

- Tenga cuidado de no tirar el dispositivo al fijarlo en el trípode.
- Coloque el trípode sobre una superficie nivelada y estable para evitar que se caiga.
- Abra las patas del trípode a su máxima capacidad.
- No use el trípode si hay mucho viento.
- Asegúrese de que el dispositivo esté fijado con seguridad en el trípode.
- Remueva el dispositivo al transportar el trípode o al doblar las patas del trípode.
- Tenga cuidado para que su mano no quede atrapada en las patas del trípode al cerrarlo.

## MANTENIMIENTO

### ⚠PRECAUCIÓN:

- Siempre asegúrese de que el dispositivo esté apagado y desconectado y que el cartucho de batería haya sido removido antes de intentar realizar una inspección o mantenimiento.
- Nunca use gasolina, bencina, diluyente (tíner), alcohol o sustancias similares. Puede que esto ocasione grietas o descoloramiento.

El único trabajo de mantenimiento que el usuario puede realizar es el que se describe en este manual de instrucciones. Cualquier otro trabajo debe ser realizado por los centros de servicio autorizados de Makita.

## Limpieza

### ⚠PRECAUCIÓN:

- Nunca lave el dispositivo en agua.

De vez en cuando, limpie el exterior (la carcasa) del dispositivo usando un trapo humedecido con agua jabonosa.

## ACCESORIOS OPCIONALES

### ⚠PRECAUCIÓN:

- Estos accesorios son recomendados para usarse con su dispositivo de Makita especificado en este manual. El uso de cualquier otro accesorio puede presentar un riesgo de lesión para las personas. Únicamente use los accesorios para su propósito específico.

Si necesita ayuda o más información con relación a estos accesorios, pregunte a su centro de servicio de Makita.

- Batería y cargador originales de Makita
- Trípode [Núm. de parte:GM00002073]

### NOTA:

- Algunos artículos en la lista pueden estar incluidos en el paquete del dispositivo como accesorios estándar. Pueden variar de país a país.

## GARANTÍA DE UN AÑO LIMITADA DE MAKITA

### Política de garantía

Todos los dispositivos de Makita son inspeccionados cuidadosamente y probados antes de que salgan de la fábrica. Se garantiza que están libres de defectos de mano de obra y materiales durante el periodo de UN AÑO a partir de la fecha de compra original. Si hubiera algún problema durante este periodo de un año, devuelva el dispositivo COMPLETO, con flete prepagado, a uno de los centros de servicio autorizados o a la fábrica de Makita. Si la inspección muestra que el problema es ocasionado por defectos de mano de obra o en el material, Makita lo reparará (o, a elección de Makita, lo reemplazará) sin cargo.

Esta garantía no aplica en los siguientes casos:

- si otros han hecho o intentado reparaciones;
- las reparaciones son necesarias debido al uso y desgaste normales;
- el dispositivo ha sido abusado, usado indebidamente o mantenido de forma inadecuada;
- se han hecho alteraciones en el dispositivo.

EN NINGÚN CASO MAKITA SERÁ RESPONSABLE POR NINGÚN DAÑO INDIRECTO, INCIDENTAL O CONSECUENTE POR LA VENTA O EL USO DEL PRODUCTO. ESTE DESCARGO DE RESPONSABILIDAD APLICA DURANTE Y DESPUÉS DEL TÉRMINO DE ESTA GARANTÍA. MAKITA RENUNCIA A LA RESPONSABILIDAD POR CUALQUIER GARANTÍA IMPLÍCITA, INCLUYENDO LAS GARANTÍAS IMPLÍCITAS DE "COMERCIABILIDAD" Y "ADECUACIÓN PARA UN PROPÓSITO ESPECÍFICO", DESPUÉS DEL TÉRMINO DE UN AÑO DE ESTA GARANTÍA.

Esta garantía le otorga derechos legales específicos, y también puede tener otros derechos que varían de estado a estado. Algunos estados no permiten la exclusión o limitación de daños incidentales o consecuentes, por lo que es probable que la limitación o exclusión anteriores no sean aplicables para usted. Algunos estados no permiten la limitación de la duración de una garantía implícita, por lo que es probable que la limitación anterior no sea aplicable para usted.

**Makita Corporation**  
3-11-8, Sumiyoshi-cho,  
Anjo, Aichi 446-8502 Japan  
[www.makita.com](http://www.makita.com)

DML811-NA3-1906

TRD