

IMPORTANT INSTRUCTIONS - OPERATING MANUAL

Models: AK150LS, ES80S, ES130S,
ES80SG, ES130SG, ES80SH, ES130SH



Exhaust Fan

READ AND SAVE THESE INSTRUCTIONS

READ CAREFULLY BEFORE ATTEMPTING TO ASSEMBLE, INSTALL, OPERATE OR MAINTAIN THE PRODUCT DESCRIBED. PROTECT YOURSELF AND OTHERS BY OBSERVING ALL SAFETY INFORMATION. FAILURE TO COMPLY WITH INSTRUCTIONS COULD RESULT IN PERSONAL INJURY AND/OR PROPERTY DAMAGE!

RETAIN INSTRUCTIONS FOR FUTURE REFERENCE.

GENERAL SAFETY INFORMATION

When using electrical appliances, basic precautions should always be followed to reduce the risk of fire, electric shock and injury to person, including the following:

TO REDUCE THE RISK OF FIRE, ELECTRIC SHOCK AND INJURY TO PERSON, OBSERVE THE FOLLOWING:

- a) Use this unit only in the manner intended by the manufacturer. If you have questions, contact the manufacturer.
- b) Before servicing or cleaning the unit, switch power off at service panel and lock the service disconnecting means to prevent power from being switched on accidentally. When the service disconnecting means cannot be locked, securely fasten a prominent warning device, such as a tag, to the service panel.

TO REDUCE THE RISK OF FIRE, ELECTRIC SHOCK AND INJURY TO PERSON, OBSERVE THE FOLLOWING:

- a) Installation work and electrical wiring must be done by qualified person(s) in accordance with all applicable codes and standards, including fire-related construction.
- b) Sufficient air is needed for proper combustion and exhausting of gases through the flue (chimney) of fuel burning equipment to prevent back drafting. Follow the heating equipment manufacturer's guideline and safety standards such as those published by the National Fire Protection Association (NFPA) and the American Society for Heating, Refrigeration, and Air Conditioning Engineers (ASHRAE), and the local code authorities.
- c) When cutting or drilling into wall or ceiling, do not damage electrical wiring and other hidden utilities.

- d) Ducted fans must always be vented to the outdoors.
- e) If this unit is to be installed over a tub or shower, it must be marked as appropriate for the application and be connected to a GFCI (Ground Fault Circuit Interrupter) - protected branch circuit.
- f) This unit must be grounded.
- g) To avoid motor bearing damage and noisy and/or unbalanced impellers, keep drywall spray, construction dust, etc. off power unit.
- h) Suitable for use with electronic speed control device.

CAUTION: FOR GENERAL VENTILATING USE ONLY. DO NOT USE TO EXHAUST HAZARDOUS OR EXPLOSIVE MATERIALS AND VAPORS.

WARNING: DO NOT USE IN KITCHENS.

- i) Read all instructions before installing or using exhaust fan.

SAVE THESE INSTRUCTIONS

INSTALLATION INSTRUCTIONS

CAUTION: MAKE SURE POWER IS SWITCHED OFF AT SERVICE PANEL BEFORE STARTING INSTALLATION.

SECTION 1

Preparing the Exhaust Fan

1. Unpack fan from the carton and confirm that all pieces are present. In addition to the exhaust fan you should have:
 - 1 - Grill
 - 1 - Damper Assembly (attached)
 - 4 - Mounting Rails
 - 1 - Mounting Flange
 - 1 - Instruction/Safety Sheet
2. Choose the location for your fan. To ensure the best air and sound performance, it is recommended that the length of ducting and the number of elbows be kept to a minimum, and that insulated hard ducting be used. Larger duct sizes will reduce noise and airflow restrictions. This fan will require at least 10" of clearance in the ceiling or wall, and will mount through drywall up to 3/4" thick.
3. Select the most convenient electrical knockout and remove using a straight-blade screw driver (Figure 1).

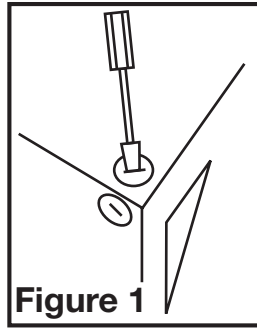


Figure 1

SECTION 2

New Construction

1. Install the rails into the mounting channel on the housing. Center the mounting channel in the slots on the housing, then from inside the housing tighten the mounting channel nuts so the channel is securely in place. Position the housing next to the joist. Line up housing so that it will be flush with the finished ceiling. Secure the ends of the rails with screws or nails (not included) to the joists and slide the housing into the final position (Figure 2).

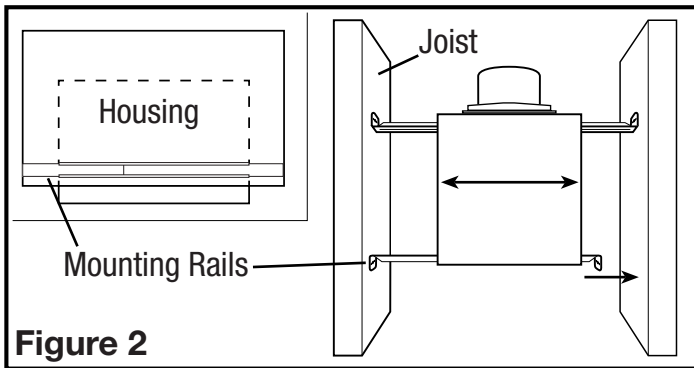


Figure 2

SECTION 3

Existing Construction

1. Set housing in position between the joist and trace an outline onto the ceiling material (Figure 3). Set housing aside and cut opening, being careful not to cut or damage any electrical or other hidden utilities. Install the rails into the mounting channel on the housing. Center the mounting channel in the slots on the housing, then from inside the housing tighten the mounting channel nuts so the channel is securely in place. Position the housing in the previously cut hole so that it is flush with the finished ceiling. Secure the ends of the rails to the joists (Figure 2).

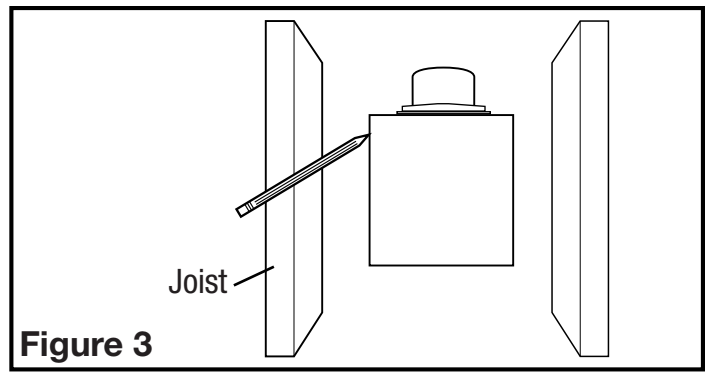


Figure 3

SECTION 4

Ducting

CAUTION: ALL DUCTING MUST COMPLY WITH LOCAL AND NATIONAL BUILDING CODES.

1. Connect the ducting to the fan's duct collar (Figure 4). Secure in place using tape or screw clamp. Always duct the fan to the outside through a wall or roof cap.

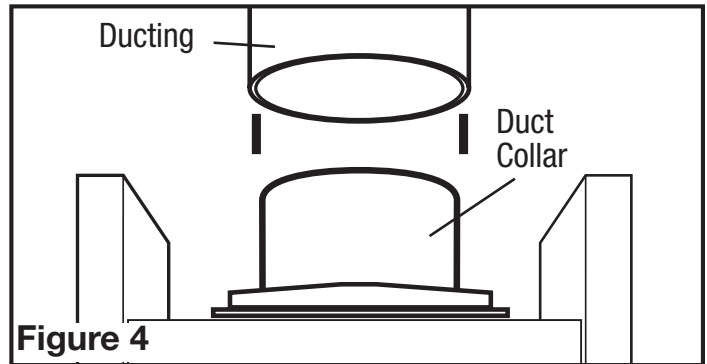


Figure 4

SECTION 5

Wiring

CAUTION: MAKE SURE POWER IS SWITCHED OFF AT SERVICE PANEL BEFORE STARTING INSTALLATION.

CAUTION: ALL ELECTRICAL CONNECTIONS MUST BE MADE IN ACCORDANCE WITH LOCAL CODES, ORDINANCES, OR NATIONAL ELECTRICAL CODE. IF YOU ARE UNFAMILIAR WITH METHODS OF INSTALLING ELECTRICAL WIRING, SECURE THE SERVICES OF A QUALIFIED ELECTRICIAN.

NOTE: This unit includes a side access panel for wiring that does not require the removal of the fan's blower assembly. If you choose to wire the unit from the inside, you will need to remove the blower assembly and internal wiring compartment. Both methods are equally effective.

- 1a. External Wire Compartment: Remove the wire compartment cover screw and place cover in a secure place (Figure 5).

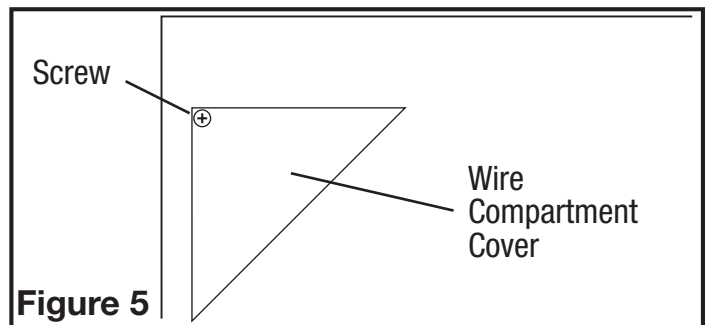
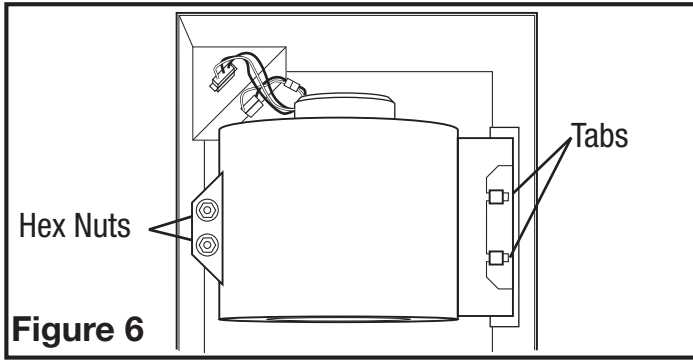
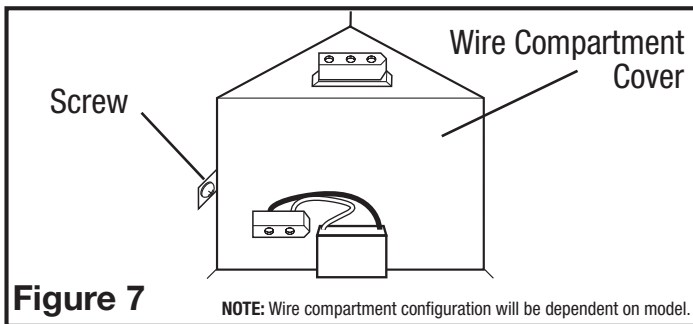


Figure 5

- 1b. Internal Wire Compartment: Using a 7/16" socket, remove the two hex nuts holding the blower assembly in place. Lift up on the assembly and slide it out of the tabs on the housing (**Figure 6**). Remove the wire compartment cover screw (or screws) and place the cover in a secure place (**Figure 7**).



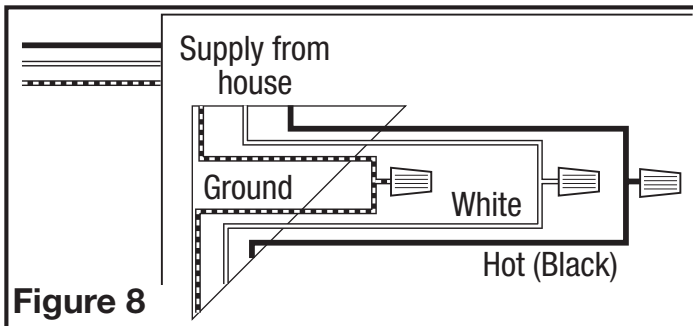
NOTE: If the fan motor plug is connected to the fan housing receptacle, unplug so the blower assembly can be completely removed.



NOTE: Wire compartment configuration will be dependent on model.

Standard and Motion Sensing Models

- 2a. Run wiring from an approved wall switch (not included) carrying the appropriate rating. One neutral (white), one ground (green or bare copper), and one hot (black lead connected to the switch). Secure the electrical wires to the housing with an approved electrical connector. Make sure you leave enough wiring in the box to make the connection to the fan's receptacle.
- 2b. From where you have chosen to access the fan's junction box, connect the white wire from the house to the white wire from the fan's receptacle. Connect the black wire from the wall switch to the black wire from the fan's receptacle. Connect the ground wire from the house to the green wire from the fan housing (**Figure 8**). Use approved methods for all connections.

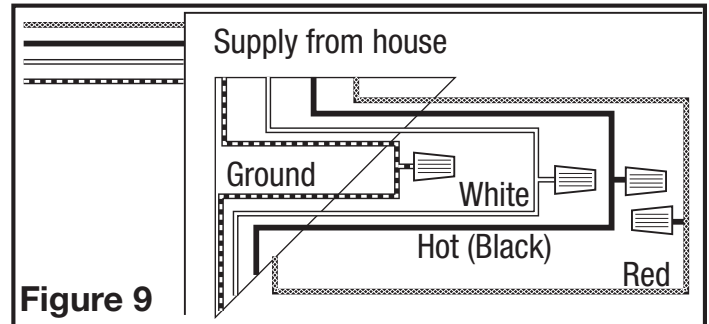


NOTE: The fan's receptacle wires might need to be pulled outside compartment for connection. Only pull the five loose wires outside of compartment. Additional wires will be present.

NOTE: Unit must be grounded according to all local and national codes.

Humidity Sensing Models

- 3a. For proper operation the humidity sensing fan will require a 3 way switch (not included). Run wiring between the fan and the switch location. Make sure you leave enough wiring in each box to make the connections. At the switch box connect the black wire from the house to the common terminal of the switch. Connect the black wire from the fan to one of the switched terminals on the switch. This position will energize the automatic mode and the fan will energize upon a rise in humidity. Connect the red wire from the fan to the other switched terminal on the switch. This position will activate the Manual On feature and energize the fan. Properly connect the ground and neutral (if applicable) mount the switch and the cover.
- 3b. From where you have chosen to access the fan's junction box, connect the white wire from the house to the white wire from the fan. Connect the wire from the automatic position on the wall switch to the black wire from the fan, connect the wire from the manual On position on the switch to the red wire from the fan. Connect the ground wire from the house to the green wire from the fan housing (**Figure 9**). Use approved methods for all connections.

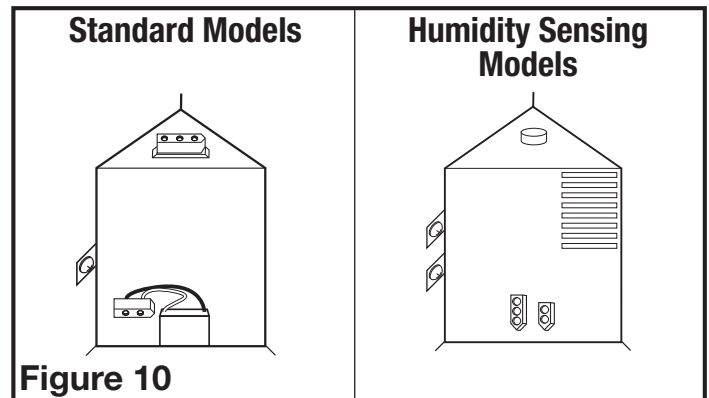


4. Carefully tuck wire back inside wire compartment and replace wire compartment cover securing with the screw that was removed earlier.

SECTION 6

Completing the Installation

1. If the fan's blower assembly was removed during the wiring process, reinstall the blower by reversing the directions in **Section 5 (Wiring, Step 1b)**.
- 2a. **STANDARD AND HUMIDITY SENSING MODELS:** Plug the fan's 2 pin and 3 pin quick connect motor cords into the corresponding receptacle located on the wire compartment cover. These cords will only fit one way into the receptacles (**Figure 10**).



- 2b. **MOTION SENSING MODELS:** Plug the fan's 2 pin quick connect motor cord into the receptacle located on the side of the wire compartment cover. Plug the 3 pin quick connect motor cord into the shorter end of the included harness then into the receptacle located on the top of the wire compartment cover. These cords will only fit one way into the receptacles (**Figure 11**).

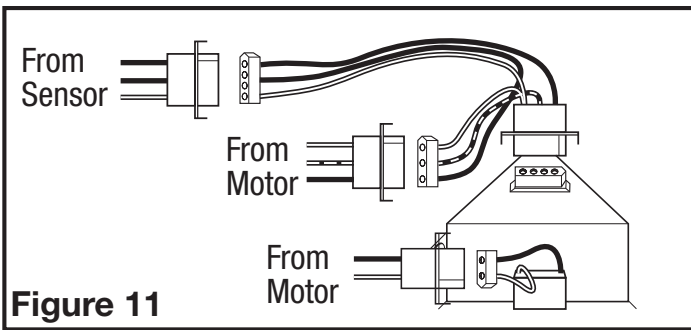


Figure 11

3. Install the ceiling mounting flange to cover any gaps which exist between the housing and the finished ceiling. Remove the two screws that connect the ceiling mounting flange to the housing. Put caulk (not provided) on each corner of the ceiling mounting flange to ensure that the flange fits tightly against the ceiling. Line up the screw holes in the ceiling mounting flange with the screw holes on the inside of the housing and press flange in place so it is tight against the ceiling. Reinstall ceiling flange mounting screws inside the housing (**Figure 12**).

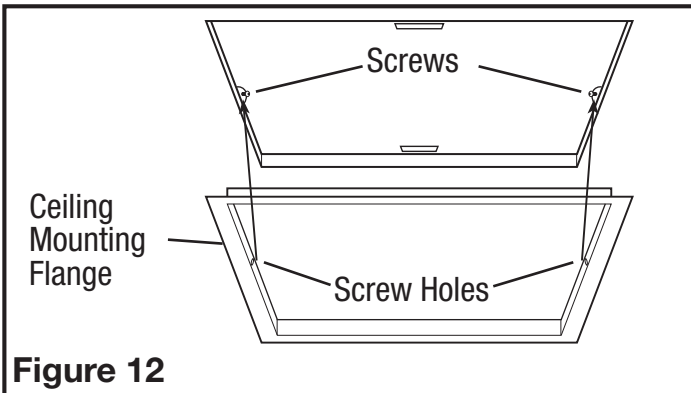


Figure 12

NOTE: If the housing is mounted too far or not far enough into the ceiling for the flange to make a solid connection, loosen the mounting channel and adjust the housing up or down on the rails. Once in place, fully tighten the mounting channel nuts.

- 4a. **STANDARD AND HUMIDITY SENSING MODELS:** Install the grill by squeezing the two ends of the springs together and installing them up into the slots on the fan's housing. Push the grill up into position (**Figure 13**).

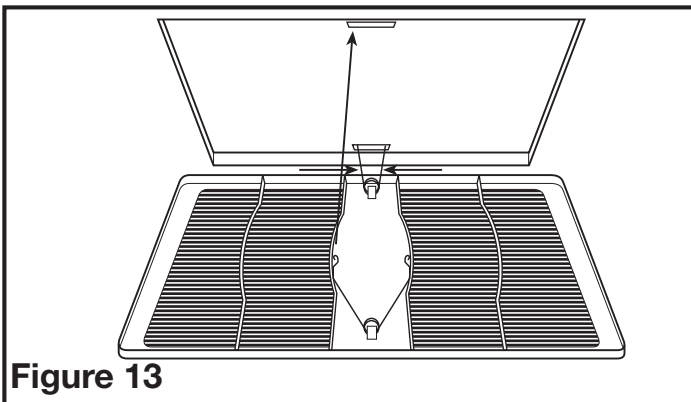


Figure 13

- 4b. **MOTION SENSING MODELS:** Install the grill by squeezing the spring furthest from the motion sensor together and installing it up into the slot furthest from the wire compartment on the fan's housing. Attach the 3 pin quick connect from the motion sensor on the grill to the harness installed in *Step 2a*. This cord will only fit one way into the receptacle. Install the other spring in place and push the grill up into position (**Figure 14**).
5. Restore power and test your installation.

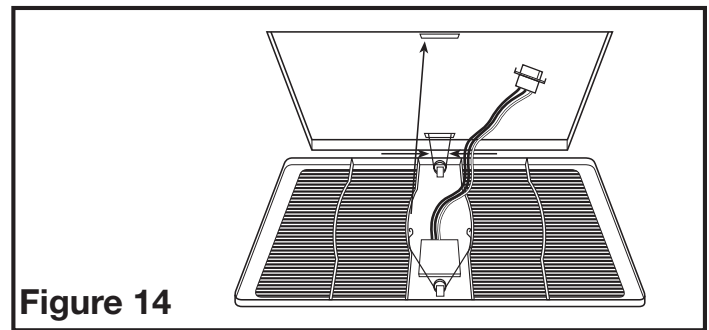


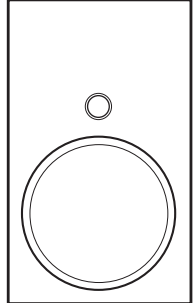
Figure 14

SECTION 7

Programming the Occupancy Sensor

- 1a. **Setting the Occupancy Time Delay.** This will set the amount of time the fan will continue to operate after the room is vacated. Locate the motion sensor on the fan's grill and press the button 2 times. The LED on the sensor will then flash the number of times to indicate the current setting, this will repeat 3 times:

1 time = 30 seconds	6 times = 12.5 minutes
2 times = 2.5 minutes	7 times = 15 minutes
3 times = 5 minutes	8 times = 17.5 minutes
4 times = 7.5 minutes	9 times = 20 minutes
5 times = 10 minutes	



- 1b. To adjust the setting, while the sensor is still flashing from *Step 1a*, press the button the number of times that corresponds with the amount of time you desire, for instance 3 times sets the delay to 5 minutes (see numbers in *Step 1*). The sensor will then flash the number of times for the new setting 3 times before exiting back to the programming mode.

- 2a. **Setting the Minimum On Time.** This sets the minimum time the fan will operate once motion is detected within the room. This works in conjunction with the Occupancy Time Delay feature set in *Steps 1a* and *1b*. For instance if you set the minimum time on for 15 minutes and the Time Delay for 5 minutes, the fan will operate for at least 15 minutes then 5 additional minutes.

NOTE: This is a minimum time that the fan will operate. If the room is occupied longer, the fan will continue to run until the room is vacated and the occupancy time delay has elapsed.

- 2b. Locate the motion sensor on the fan's grill and press the button 10 times. The LED on the sensor will then flash the number of times to indicate the current setting, this will repeat 3 times:

1 time = 0 minutes	4 times = 45 minutes
2 times = 15 minutes	5 times = 60 minutes
3 times = 30 minutes	

- 2c. To adjust the setting, while the sensor is still flashing from *Step 2b*, press the button the number of times that corresponds with the amount of time you desire, for instance 3 times sets the minimum on time to 30 minutes (see numbers in *Step 2b*). The sensor will then flash the number of times for the new setting 3 times before exiting back to the programming mode.
3. Once all settings have been made and the sensor will return to detection mode and the LED will flash when occupancy of the room is detected.

SECTION 8

Setting the Humidistat

This fan is equipped with a humidity sensor that automatically turns the fan on when humidity is above set point and off when humidity is at or below set point. If the fan is operating too long or not enough, first check to see the

humidity sensor set point. In cases where the ambient humidity level of the room rises higher than the preset level, the fan will turn on even if the room is not occupied. This helps prevent conditions that lead to mold growth.

CAUTION: MAKE SURE POWER IS SWITCHED OFF AT SERVICE PANEL BEFORE SERVICING THE UNIT.

- To set the desired humidity level of the room, remove the grill and locate the dehumidistat dial located on the wire compartment cover.
- Set the dial to the relative humidity you want the fan to maintain usually between 50 & 80%. Moist climates will require higher settings than dry climates. When the humidity level of the room is below this setting the fan will remain off. When the humidity level rises about this setting the fan will turn on and run until the humidity level falls below this setting.
- Reinstall the grill and restore power.

**SECTION 9
Use and Care**

CAUTION: MAKE SURE POWER IS SWITCHED OFF AT SERVICE PANEL BEFORE SERVICING THE UNIT.

- Cleaning the Grill:** Remove grill and use a mild detergent, such as dishwashing liquid, and dry with a soft cloth. NEVER USE ANY ABRASIVE PADS OR SCOURING POWDERS. Completely dry grill before reinstalling. Refer to instructions in **Section 5 Finishing the Installation**, to reinstall grill.
- Cleaning the Fan Assembly:** Wipe all parts with a dry cloth or gently vacuum the fan. NEVER IMMERSE ELECTRICAL PARTS IN WATER.

Troubleshooting Guide

Trouble	Probable Cause	Suggested Remedy
1. Fan does not operate when the switch is on.	1a. A fuse may be blown or a circuit tripped. 1b. Connector plug from motor is not plugged in. 1c. Wiring is not connected properly. 1d. Motor has stopped operating.	1a. Replace fuse or reset circuit breaker. 1b. Turn off power to unit. Remove Grill and plug motor into receptacle in housing. Restore power to unit. 1c. Turn off power to unit. Check that all wires are connected. 1d. Replace motor.
2. Fan is operating, but air moves slower than normal.	2. Obstruction in the exhaust ducting.	2. Check for any obstructions in the ducting. The most common are bird nests in the roof cap or wall cap where the fan exhausts to the outside.
3. Fan is operating louder than normal	3a. Motor is loose. 3b. Fan blade is hitting housing of unit.	3a. Turn off power to unit. Remove grill and check that all screws are fully tightened. Restore power to unit. 3b. Call your dealer for service.

LIMITED WARRANTY

WHAT THIS WARRANTY COVERS: This product is warranted against defects in workmanship and/or materials.

HOW LONG THIS WARRANTY LASTS: This warranty extends only to the original purchaser of the product and lasts for five (5) years from the date of original purchase or until the original purchaser of the product sells or transfers the product, whichever first occurs.

WHAT AIR KING WILL DO: During the warranty period, Air King will, at its sole option, repair or replace any part or parts that prove to be defective or replace the whole product with the same or comparable model.

WHAT THIS WARRANTY DOES NOT COVER: This warranty does not apply if the product was damaged or failed because of accident, improper handling or operation, shipping damage, abuse, misuse, unauthorized repairs made or attempted. This warranty does not cover shipping costs for the return of products to Air King for repair or replacement. Air King will pay return shipping charges from Air King following warranty repairs or replacement

ANY AND ALL WARRANTIES, EXPRESSED OR IMPLIED (INCLUDING, WITHOUT LIMITATION, ANY IMPLIED WARRANTY OF MERCHANTABILITY), LAST ONE YEAR FROM THE DATE OF ORIGINAL PURCHASE OR UNTIL THE ORIGINAL PURCHASER OF THE PRODUCT SELLS OR TRANSFERS THE PRODUCT, WHICHEVER FIRST OCCURS AND IN NO EVENT SHALL AIR KING'S LIABILITY UNDER ANY EXPRESS OR IMPLIED WARRANTY INCLUDE (I) INCIDENTAL OR CONSEQUENTIAL DAMAGES FROM ANY CAUSE WHATSOEVER, OR (II) REPLACEMENT OR REPAIR OF ANY HOUSE FUSES, CIRCUIT BREAKERS OR RECEPTACLES. NOTWITHSTANDING ANYTHING TO THE CONTRARY, IN NO EVENT SHALL AIR KING'S LIABILITY UNDER ANY EXPRESS OR IMPLIED WARRANTY EXCEED THE PURCHASE PRICE OF THE PRODUCT AND ANY SUCH LIABILITY SHALL TERMINATE UPON THE EXPIRATION OF THE WARRANTY PERIOD.

Some states and provinces do not allow limitations on how long an implied warranty lasts, or the exclusion or limitation of incidental or consequential damages, so these exclusions or limitations may not apply to you. This warranty gives you specific legal rights. You may also have other rights which vary from state to state and province to province. Proof of purchase is required before a warranty claim will be accepted.

CUSTOMER SERVICE:

Toll-Free (800) 465-7300

Our Customer Service team is available to assist you with product questions, service center locations, and replacement parts. They can be reached Monday through Friday, 8am-4pm Eastern. Please have your model number available, as well as the type and style (located on the label inside of your product).

Please do not return product to place of purchase.

www.airkinglimited.com

PARTS FOR DISCONTINUED, OBSOLETE AND CERTAIN OTHER PRODUCTS MAY NOT BE AVAILABLE. DUE TO SAFETY REASONS, MANY ELECTRONIC COMPONENTS AND MOST HEATER COMPONENTS ARE NOT AVAILABLE TO CONSUMERS FOR INSTALLATION OR REPLACEMENT.

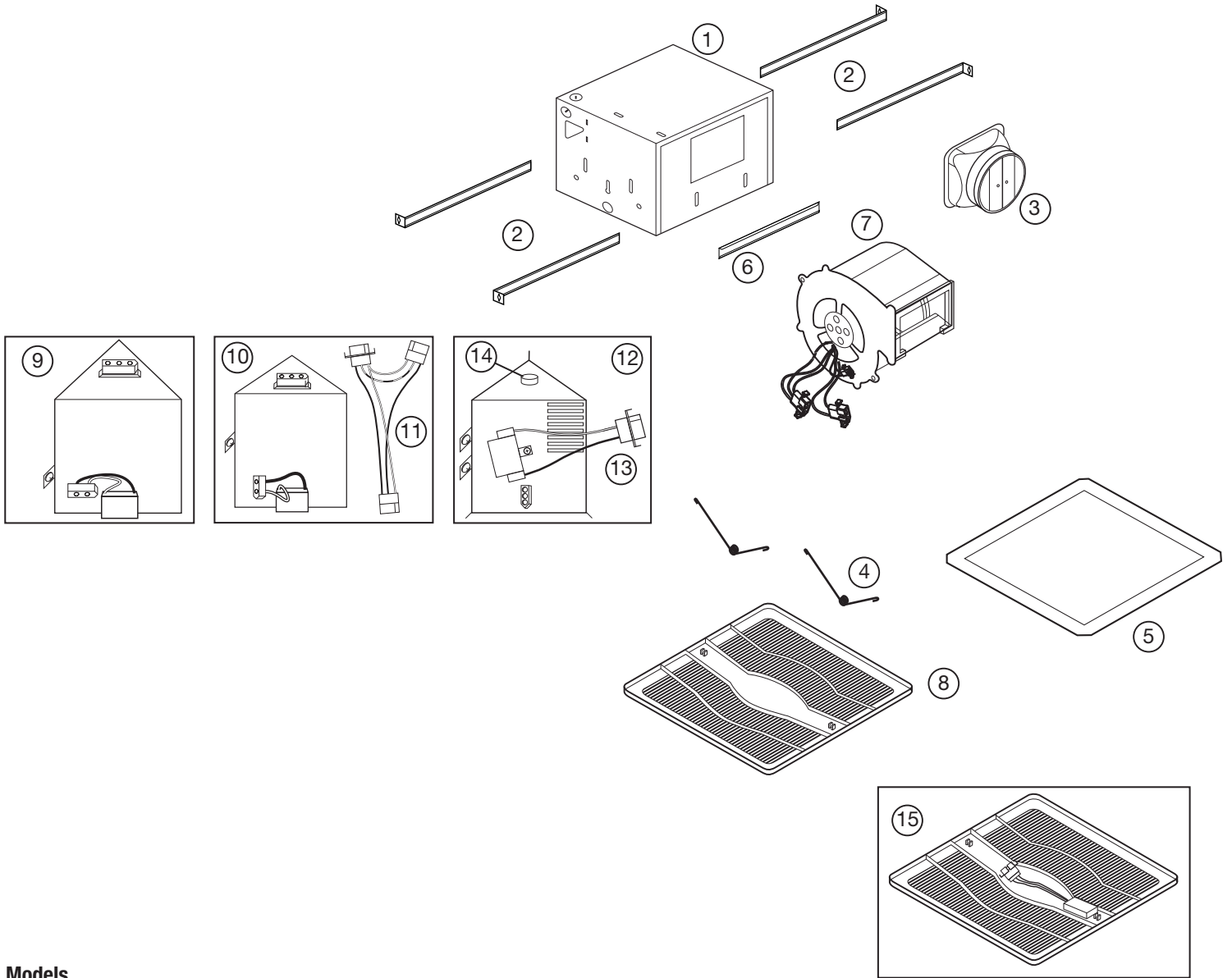
Installer: _____

Installation Date: _____

Place of Purchase: _____

Model Number: _____

REPLACEMENT PARTS DIAGRAM



All Models

#	Qty.	Description	Replacement Part #
1	1	Fan Housing	5S1239009
2	4	Mounting Rails	5S1299002
3	1	6" Metal Collar Assembly	5S5299100
4	2	Grill Springs	5S1202046
5	1	Ceiling Flange	5S1202050
6	2	Mounting Channel	5S1239021
7	1	Blower Assembly	5S2239008

Specific to Models ES80S, ES130S

#	Qty.	Description	Replacement Part #
8	1	Grill	5S1202048
9	1	Wire Compartment Assembly - ES80S	5S1239001
	1	Wire Compartment Assembly - ES130S	5S1239002

Specific to Models AK150LS

#	Qty.	Description	Replacement Part #
8	1	Grill	5S1202048
9	1	Wire Compartment Assembly	5S1239016

Specific to Models ES80SG, ES130SG

#	Qty.	Description	Replacement Part #
10	1	Wire Compartment Assembly - ES80SG	5S1239001
	1	Wire Compartment Assembly - ES130SG	5S1239002
11	1	Wire Harness	5S1239022
15	1	Grill Assembly	5S1239015

Specific to Models ES80SH, ES130SH

#	Qty.	Description	Replacement Part #
8	1	Grill	5S1202048
12	1	Wire Compartment Assembly	5S1299801
13	1	Wire Harness - ES80SH	5S2239002
	1	Wire Harness - ES130SH	5S2239003
14	1	Knob	5S1299802

INSTRUCTIONS IMPORTANTES – MODE D'EMPLOI

Modèles : AK150LS, ES80S, ES130S,
ES80SG, ES130SG, ES80SH, ES130SH

Air King
Ventilation Products®

Ventilateur d'Évacuation

LIRE ET CONSERVER CES INSTRUCTIONS

LIRE SOIGNEUSEMENT AVANT DE TENTER D'ASSEMBLER, INSTALLER, OPÉRER OU DE RÉPARER LE PRODUIT DÉCRIT.
PROTÉGEZ

VOUS-MÊME ET LES AUTRES EN OBSERVANT TOUTE L'INFORMATION DE SÉCURITÉ. FAILLIR À SE CONFORMER AUX INSTRUCTIONS PEUT RÉSULTER EN BLESSURE PERSONNELLE GRAVE ET/OU EN DOMMAGE À LA PROPRIÉTÉ.

CONSERVER CES INSTRUCTIONS POUR RÉFÉRENCES FUTURES.

INSTRUCTIONS GÉNÉRALES DE SÉCURITÉ

Lors de l'utilisation d'appareils électriques, des précautions de base doivent toujours être suivies pour réduire les risques d'incendie, de choc électrique et de blessures corporelles, incluant ce qui suit:

AVERTISSEMENT : POUR RÉDUIRE LES RISQUES D'INCENDIE, DE CHOC ÉLECTRIQUE OU DE BLESSURES PERSONNELLES OBSERVER CE QUI SUIT :

- a) Utiliser cette unité seulement de la manière pour laquelle le fabricant l'a conçu. Si vous aviez des questions, veuillez contacter le fabricant.
- b) Avant d'effectuer un service ou de nettoyer l'unité, couper l'alimentation électrique dans le panneau de distribution et verrouiller le dispositif de déconnexion afin d'éviter que l'alimentation ne revienne accidentellement. Lorsque le dispositif ne peut être verrouillé, fixer solidement un avis d'avertissement, tel qu'une étiquette, au panneau de distribution.

AVERTISSEMENT : POUR RÉDUIRE LES RISQUES D'INCENDIE, DE CHOC ÉLECTRIQUE OU DE BLESSURES PERSONNELLES OBSERVER CE QUI SUIT :

- a) Le travail d'installation et le câblage électrique doivent être effectués par une(des) personne(s) qualifiée(s) en conformité avec tous les codes et normes applicables, incluant la construction relative aux incendies.
- b) De l'air en quantité suffisante est requis pour la bonne combustion et l'évacuation de gaz par le conduit (cheminée) provenant d'équipement de brûlage au combustible pour prévenir un refoulement. Suivre les directives du fabricant de l'équipement de chauffage et les normes de sécurité telles que celles publiées par la National Fire Protection Association (NFPA) et de la American Society for Heating, Refrigeration, and Air Conditioning Engineers (ASHRAE), et de celles des autorités locales du code.
- c) Lors de coupe ou de perçage des murs et plafonds, ne pas endommager le filage électrique et autres utilités cachées.

- d) Les ventilateurs avec conduits doivent toujours être évacués vers l'extérieur.
- e) Si cet appareil doit être installé au-dessus d'une baignoire ou d'une douche, il doit être marqué comme approprié pour l'application et connecté à un DDFT (disjoncteur différentiel de fuite à la terre) - circuit de dérivation protégé.
- f) Cette unité doit être mise à la terre.
- g) Pour éviter des dommages aux roulements des moteurs et/ou des hélices bruyantes ou déséquilibrées, empêcher la poussière de cloison sèche, poussière de construction, etc., d'atteindre l'unité de puissance.
- h) Approprié pour l'usage avec le dispositif de commande électronique de vitesse.

AVERTISSEMENT : POUR USAGE DE VENTILATION GÉNÉRALE EXCLUSIVEMENT. NE PAS UTILISER POUR ÉVACUER DU MATÉRIEL ET DES VAPEURS DANGEREUSES OU EXPLOSIVES.

AVERTISSEMENT : NE PAS UTILISER DANS LES CUISINES

- i) Bien lire toutes les instructions avant d'installer ou d'utiliser le ventilateur d'évacuation.

CONSERVER CES INSTRUCTIONS

INSTRUCTIONS D'INSTALLATION

AVERTISSEMENT : VOUS ASSURER QUE L'ALIMENTATION EST COUPÉE AU PANNEAU DE SERVICE AVANT DE COMMENCER L'INSTALLATION.

SECTION 1

Préparation du Ventilateur d'évacuation

- Sortir le ventilateur de sa boîte et confirmer que toutes les pièces sont présentes. En plus du ventilateur d'évacuation vous devriez avoir :
 - 1 - Grille
 - 1 - Ensemble de clapet (attaché)
 - 4 - Supports de montage
 - 1 - Bride de montage
 - 1 - Feuillet d'instructions / sécurité
- Choisir un emplacement pour votre ventilateur. Pour assurer la meilleure performance du débit d'air et sonore, il est recommandé que la longueur des conduits et que le nombre de coudes soient gardés au minimum et que des conduits rigides isolés soient utilisés. Ce ventilateur nécessitera au moins 20,3cm (8po) de dégagement dans le plafond ou le mur, et s'installe au travers de cloison sèche d'une épaisseur de jusqu'à 1,9cm (3/4po).
- Sélectionner l'alvéole défonçable la mieux appropriée et l'enlever à l'aide d'un tournevis à lame plate (**Figure 1**).

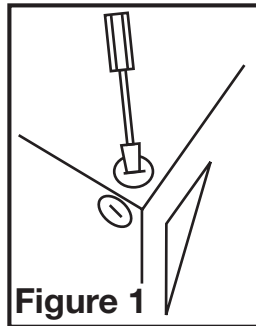


Figure 1

SECTION 2

Nouvelle Construction

- Installez les rails dans le canal de montage sur le boîtier. Centrez le canal de montage dans les fentes sur le boîtier, puis de l'intérieur du boîtier, serrez les écrous montage de sorte que le canal soit bien en place. Placez le boîtier à côté de la solive. Aligner le châssis pour qu'il soit de niveau avec le plafond fini. Fixez les extrémités des rails aux solives avec des vis ou des clous (non inclus) et glissez le boîtier dans la position finale (**Figure 2**).

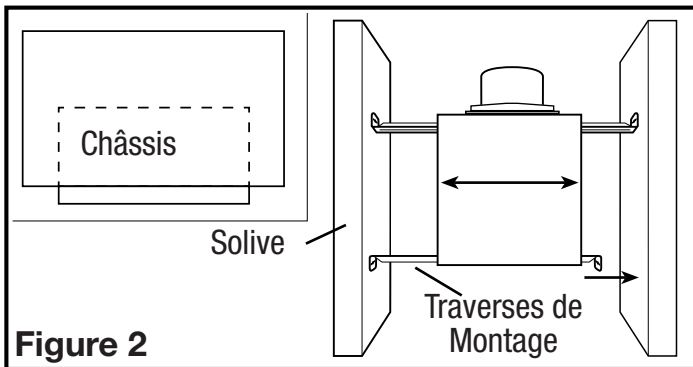


Figure 2

SECTION 3

Construction Existante

- Placer le boîtier en place entre les solives et tracez un contour sur le matériel du plafond (**Figure 3**). Mettez le boîtier de côté et découpez l'ouverture, en faisant attention de ne pas couper ou endommager les installations électriques ou d'autres utilités masquées. Installez les rails dans le canal de montage sur le boîtier. Centrez le canal de montage dans les fentes sur le boîtier, puis de l'intérieur du boîtier serrez les écrous de montage de sorte que le canal soit bien en place. Positionnez le boîtier dans le trou préalablement découpé de sorte qu'il soit aligné avec le plafond fini. Fixez les extrémités des rails aux solives (**Figure 2**).

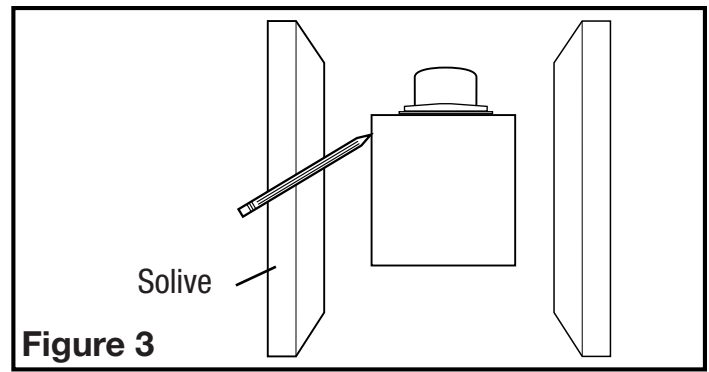


Figure 3

SECTION 4

Conduits

AVERTISSEMENT : TOUS LES CONDUITS DOIVENT ÊTRE CONFORMES AUX CODES DU BÂTIMENT LOCAUX ET NATIONAUX.

- Raccorder le conduit au collet de conduit du ventilateur (**Figure 4**). Fixer en place à l'aide de ruban ou de serre-joint. Toujours évacuer le ventilateur vers l'extérieur au travers de chapeau mural ou de toit.

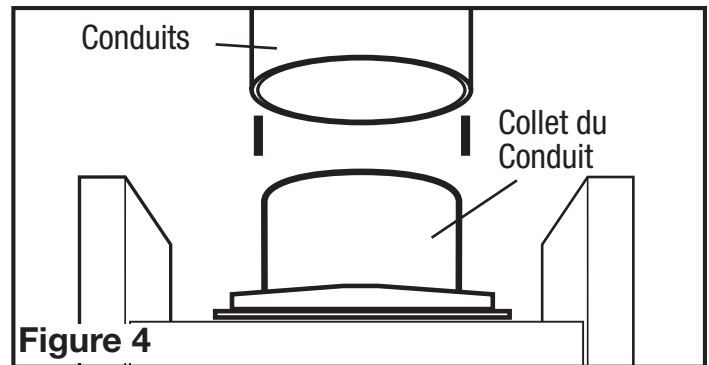


Figure 4

SECTION 5

Câblage

AVERTISSEMENT : VOUS ASSURER QUE L'ALIMENTATION EST COUPÉE AU PANNEAU DE SERVICE AVANT DE COMMENCER L'INSTALLATION.

AVERTISSEMENT : TOUTES LES CONNEXIONS DOIVENT ÊTRE FAITES EN CONFORMITÉ AVEC LES CODES ÉLECTRIQUES LOCAUX OU NATIONAUX. SI VOUS N'ÊTES PAS FAMILIER AVEC LES MÉTHODES D'INSTALLATION DE CÂBLAGE ÉLECTRIQUE, RECOURREZ AUX SERVICES D'UN ÉLECTRICIEN QUALIFIÉ.

REMARQUE: Cette unité possède un panneau d'accès latéral pour le câblage qui ne requiert pas l'enlèvement de l'assemblage de la soufflante du ventilateur. Si vous choisissez de raccorder l'unité par l'intérieur, vous aurez besoin d'enlever l'assemblage de la soufflante et le compartiment de câblage intérieur. Les deux méthodes sont également efficaces.

- 1a. Compartiment de Câblage Extérieur : Enlever la vis du couvercle du compartiment à câblage et mettre ce couvercle dans un endroit fiable (**Figure 5**).

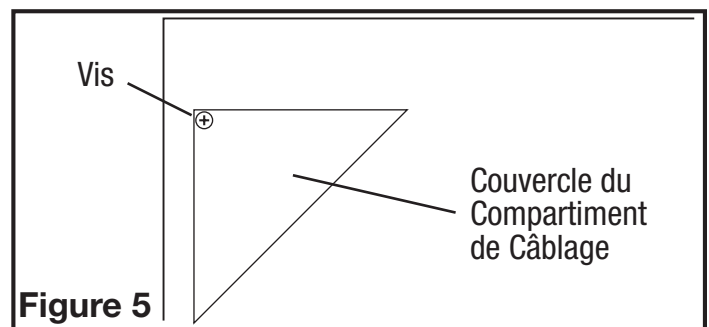
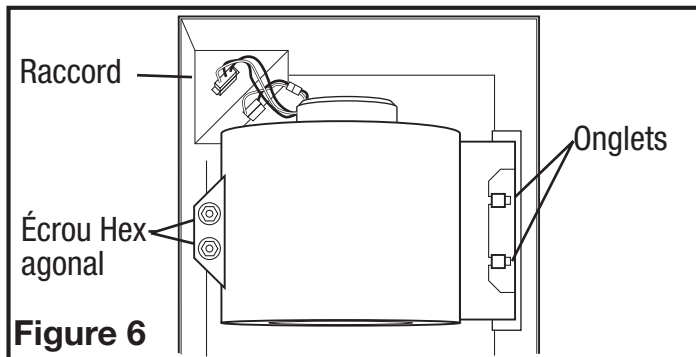
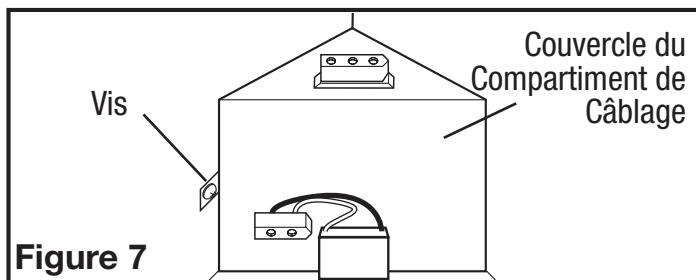


Figure 5

- 1b. Compartiment de Câblage Intérieur: Enlever les trois vis retenant en place l'assemblage de la soufflante et soulever pour sortir l'assemblage hors du châssis (**Figure 6**). Enlever la vis (ou les vis) du couvercle du compartiment à câblage et mettre ce couvercle dans un endroit fiable (**Figure 7**).

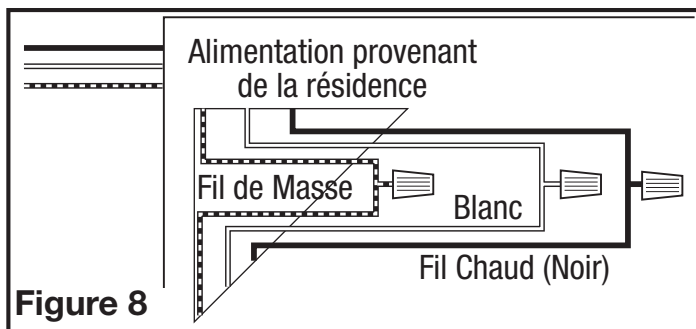


REMARQUE : Si le raccord du moteur de ventilateur est raccordé au réceptacle du châssis, le débrancher afin que l'assemblage de la soufflante soit complètement enlevé.



Modèles standards et avec détection de mouvement

- 2a. Posez le câblage d'un commutateur mural approuvé (non inclus) portant la spécification appropriée. Un neutre (blanc), un de terre (vert ou cuivre dénudé), et un chaud (fil de sortie noir relié au commutateur). Fixez les fils électriques au logement avec une prise électrique approuvée. Assurez-vous de laisser assez de câblage dans la boîte pour faire la connexion au réceptacle du ventilateur.
- 2b. De l'endroit où vous avez choisi d'accéder à la boîte de raccordement du ventilateur, reliez le fil blanc de la maison au fil blanc du réceptacle du ventilateur. Reliez le fil noir du commutateur mural au fil noir du réceptacle du ventilateur. Reliez le fil de terre de la maison au fil vert du logement du ventilateur (**Figure 8**). Utilisez les méthodes approuvées pour tous les raccordements.



REMARQUE : Les fils du réceptacle du ventilateur pourraient nécessiter d'être tirés à l'extérieur du compartiment pour le raccordement. Tirer uniquement les trois fils lâches à l'extérieur du compartiment. Des fils additionnels y sont présents.

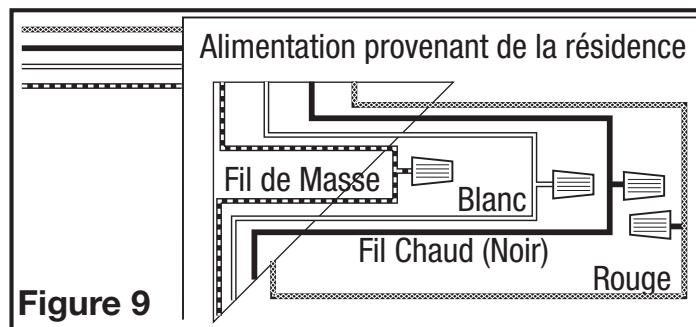
REMARQUE : L'unité doit être mise à la terre selon les codes locaux et nationaux.

Modèles avec détection d'humidité

- 3a. Pour un bon fonctionnement, le ventilateur de détection d'humidité exigera un interrupteur à 3 voies (non inclus). Faites passer le câblage entre le ventilateur et l'emplacement du commutateur. Assurez-vous

de laisser suffisamment de câblage dans chaque boîte pour faire les connexions. À la boîte de commutation, connectez le fil noir de la maison à la borne commune du commutateur. Connectez le fil noir du ventilateur à l'une des bornes commutées sur le commutateur. Cette position activera le mode automatique et le ventilateur s'activera après une élévation d'humidité. Connectez le fil rouge du ventilateur à l'autre borne commutée sur le commutateur. Cette position activera le mode manuel et activera le ventilateur. Connectez correctement le fil de terre et neutre (le cas échéant), installez le commutateur et le couvercle.

- 3b. À partir de l'endroit où vous avez choisi d'accéder à la boîte de jonction du ventilateur, connectez le fil blanc de la maison au fil blanc du ventilateur. Connectez le fil de la position automatique sur l'interrupteur mural au fil noir du ventilateur, connectez le fil de la position manuelle sur l'interrupteur au fil rouge du ventilateur. Connectez le fil de terre de la maison au fil vert du boîtier du ventilateur (**Figure 9**). Utilisez des méthodes approuvées pour toutes les connexions.

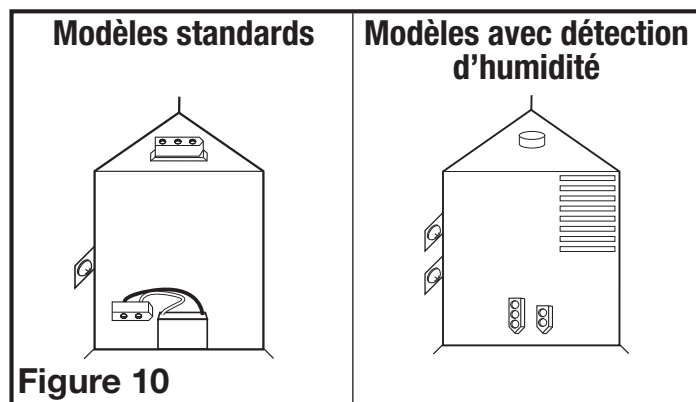


4. Regrouper soigneusement les fils à l'intérieur du compartiment pour le raccordement et replacer le couvercle du compartiment en le fixant avec la vis qui fut enlevée précédemment.

SECTION 6

Complétion de l'installation

1. Si l'assemblage de la soufflante du ventilateur a été enlevé durant le processus de raccordement, réinstaller la soufflante en inversant les instructions à l'étape 1b de la **Section 5 Câblage**.
- 2a. **MODÈLES STANDARDS ET AVEC DÉTECTION D'HUMIDITÉ:** branchez les câbles à 2 broches du ventilateur et les câbles à 3 broches de connexion rapide du moteur dans la prise correspondante située sur le couvercle du compartiment de fil. Ces câbles ne s'adaptent que dans un sens dans les réceptacles (**Figure 10**).



- 2b. **MODÈLES DÉTECTION DE MOUVEMENT:** Branchez le cordon du moteur du ventilateur à 2 broches de connexion rapide dans le connecteur situé sur le côté du couvercle du compartiment de fil. Branchez le cordon du moteur à 3 broches de connexion rapide dans le court côté du câblage inclus, dans le connecteur situé sur le dessus de la couverture du compartiment de fil. Ces cordons ne peuvent être insérés que dans un seul sens dans les connecteurs (**Figure 11**).

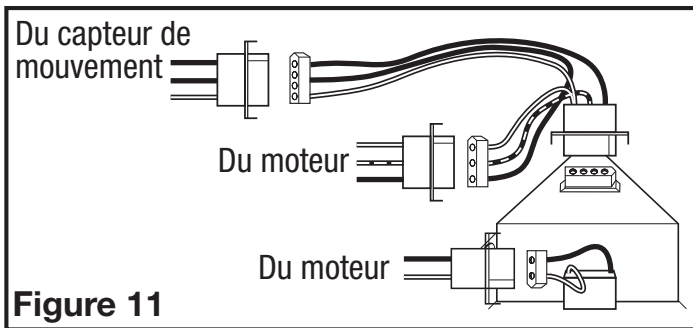


Figure 11

3. Installez la bride de montage au plafond pour couvrir tous les espaces qui existent entre le boîtier et le plafond fini. Retirez les deux vis qui relient la bride de montage au boîtier. Mettez du calfeutrage (non compris) sur chaque coin de la bride de montage au plafond pour assurer que la bride s'ajuste étroitement contre le plafond. Alignez les trous de vis dans la bride de montage au plafond avec les trous de vis à l'intérieur du boîtier et appuyez la bride en place afin qu'elle soit bien serrée contre le plafond. Réinstallez les vis de la bride de montage à l'intérieur du boîtier (Figure 12).

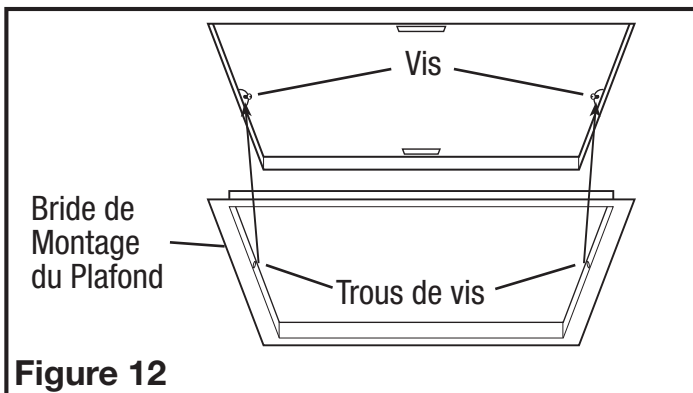


Figure 12

REMARQUE : Si le boîtier est monté très loin ou pas assez loin dans le plafond pour pouvoir fixer solidement la bride, desserrez le canal de montage et ajustez le boîtier vers le haut ou vers le bas sur les rails. Une fois en place, serrez les écrous de montage du canal.

- 4a. **MODÈLES STANDARDS ET AVEC DÉTECTION D'HUMIDITÉ:** Installer la grille en pressant ensemble les deux extrémités des ressorts et en les installant dans les fentes du châssis du ventilateur. Pousser la grille en position (Figure 13).

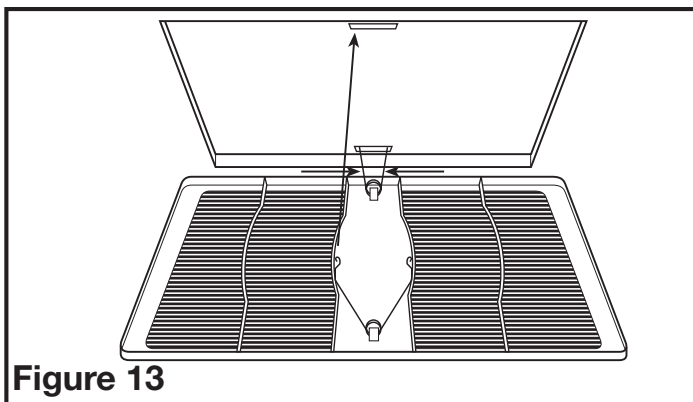


Figure 13

- 4b. **MODÈLES DÉTECTION DE MOUVEMENT:** Installez la grille en pressant le ressort le plus loin possible du détecteur de mouvement et installez-le dans la fente la plus éloignée du compartiment de fil sur le logement du ventilateur. Attachez le cordon de 3 broches à connexion rapide à partir du capteur de mouvement sur le gril soit au câblage installé à l'étape 2a (les modèles à une vitesse) ou au connecteur de la partie supérieure du compartiment de fil (modèles à deux vitesses). Ce cordon ne s'adapte que d'une seule façon dans le connecteur. Installez l'autre ressort en place et poussez la grille en position (Figure 14).

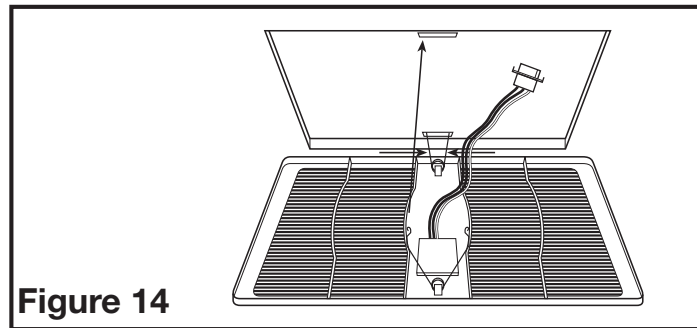


Figure 14

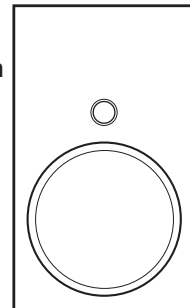
5. Restaurer l'alimentation et tester votre installation.

SECTION 7

Programmation du capteur d'occupation

- 1a. **Réglage du délai d'occupation.** Cela va régler le montant de temps que le ventilateur continuera à fonctionner après que la salle soit évacuée. Localisez le détecteur de mouvement sur le gril du ventilateur et appuyez sur le bouton 2 fois. Le LED sur le capteur clignotera alors le nombre de fois pour indiquer le réglage actuel. Ceci sera répété 3 fois :

1 fois = 30 secondes	6 fois = 12,5 minutes
2 fois = 2,5 minutes	7 fois = 15 minutes
3 fois = 5 minutes	8 fois = 17,5 minutes
4 fois = 7,5 minutes	9 fois = 20 minutes
5 fois = 10 minutes	



- 1b. Pour ajuster le réglage, tandis que le capteur continue de clignoter à partir de l'étape 1a, appuyez sur le bouton le nombre de fois qui correspond à la quantité de temps que vous désirez, par exemple 3 fois définit le délai de 5 minutes (voir les numéros à l'étape 1). Le capteur clignote alors le nombre de fois pour le nouveau paramètre 3 fois avant de quitter pour revenir au mode de programmation.

- 2a. **Réglage du temps minimum de fonctionnement.** Ceci définit le temps minimum que le ventilateur fonctionnera une fois qu'un mouvement est détecté dans la salle. Cela fonctionne en conjonction avec la fonction de délai d'occupation indiquée dans les étapes 1a et 1b. Par exemple, si vous réglez le temps minimum de fonctionnement à 15 minutes et un délai de 5 minutes, le ventilateur fonctionnera pendant au moins 15 minutes, puis 5 minutes supplémentaires.

REMARQUE : Il s'agit d'un minimum de temps que le ventilateur fonctionne. Si la salle est occupée plus longtemps, le ventilateur continuera de fonctionner jusqu'à ce que la salle est vide et le temps du délai d'occupation s'est écoulé.

- 2b. Localisez le détecteur de mouvement sur le gril du ventilateur et appuyez sur le bouton 10 fois. Le LED sur le capteur clignote alors le nombre de fois pour indiquer le réglage actuel. Ceci sera répété 3 fois:

1 fois = 0 minutes	4 fois = 45 minutes
2 fois = 15 minutes	5 fois = 60 minutes
3 fois = 30 minutes	

- 2c. Pour ajuster le réglage, tandis que le capteur est continue de clignoter de l'étape 2b, appuyez sur le bouton le nombre de fois qui correspond à la quantité de temps que vous désirez, par exemple 3 fois fixe le temps minimum de fonctionnement à 30 minutes (voir les numéros à l'étape 2b). Le capteur clignote alors le nombre de fois pour le nouveau paramètre 3 fois avant de quitter pour revenir au mode de programmation.

3. Une fois que tous les réglages ont été faits, le capteur retournera au mode de détection et le LED clignotera lorsque l'occupation de la salle est détectée.

SECTION 8

Réglage de l'humidostat

Ce ventilateur est équipé d'un capteur d'humidité qui allume automatiquement le ventilateur, lorsque l'humidité est supérieure au point de consigne lorsque l'humidité est inférieure ou égale au point de consigne. Si le ventilateur

fonctionne trop longtemps ou pas assez, vérifiez d'abord le point de consigne du capteur d'humidité. Dans le cas où le niveau d'humidité ambiante de la pièce s'élève plus haut que le niveau pré-réglé, le ventilateur s'allumera, même si la salle n'est pas occupée. Ceci aide à éviter les conditions qui mènent à la croissance de moisissures.

AVERTISSEMENT : VOUS ASSURER QUE L'ALIMENTATION EST COUPÉE AU PANNEAU DE SERVICE AVANT DE COMMENCER L'INSTALLATION.

1. Pour régler le niveau désiré d'humidité de la salle, enlevez la grille et localisez le cadran de l'humidostat situé sur le couvercle du compartiment de fil.
2. Réglez le cadran à l'humidité relative que vous voulez que le ventilateur maintienne, habituellement entre 50% et 80%. Les climats humides exigeront des réglages plus élevés que les climats secs. Lorsque le niveau d'humidité de la salle est inférieur à ce réglage, le ventilateur restera éteint. Lorsque le niveau d'humidité monte à ce réglage, le ventilateur s'allumera et fonctionnera jusqu'à ce que le niveau d'humidité tombe au-dessous de ce réglage.

3. Réinstaller la grille et rétablir le courant.

SECTION 9
Utilisation et entretien

AVERTISSEMENT : VOUS ASSURER QUE L'ALIMENTATION EST COUPÉE AU PANNEAU DE SERVICE AVANT DE COMMENCER L'INSTALLATION.

1. **Nettoyage de la grille :** Retirer la grille et utiliser un détergent doux, tel que du liquide pour la vaisselle, puis sécher à l'aide d'un chiffon doux. NE JAMAIS UTILISER D'ABRASIF OU DE POUDRE À RÉCURER. Sécher complètement la grille avant de la réinstaller. Pour réinstaller la grille, vous référer à la **Section 6 - Complétion de l'installation.**
2. **Nettoyage de l'assemblage du ventilateur :** Nettoyer toutes les parties à l'aide d'un chiffon sec ou passer délicatement l'aspirateur sur le ventilateur. NE JAMAIS IMMERGER LES PARTIES ÉLECTRIQUES DANS L'EAU.

Guide de dépannage

Trouble	Cause Possible	Solution Suggérée
1. Le ventilateur ne fonctionne pas lorsque l'interrupteur est à la position en marche.	1a. Un fusible peut être grillé ou un disjoncteur peut être déclenché. 1b. La fiche de raccord du moteur n'est pas connectée. 1c. Le câblage n'est pas raccordé correctement. 1d. La moteur est terminée	1a. Remplacer le fusible ou réinitialiser le disjoncteur. 1b. Couper l'alimentation à l'unité. Retirer la grille et brancher le moteur dans le réceptacle dans le cabinet. Remettre l'alimentation sur l'unité. 1c. Couper l'alimentation de l'unité. Vérifier que tous les fils sont raccordés. 1d. Remplacez la moteur
2. Le ventilateur fonctionne, mais l'air circule plus lentement que la normale.	2. Obstruction dans les conduits d'évacuation.	2. Vérifier pour toute obstruction dans les conduits. Les plus courantes sont des nids d'oiseau dans le chapeau de toit ou mural là où le ventilateur s'évacue vers l'extérieur.
3. Le ventilateur fonctionne de manière plus bruyante que la normale.	3a. Le moteur est lâche. 3b. L'hélice du ventilateur frotte contre le cabinet de l'unité.	3a. Couper l'alimentation à l'unité. Retirer la grille et vérifier que toutes les vis sont complètement serrées. Remettre l'alimentation sur l'unité. 3b. Appeler votre marchand pour un service.

GARANTIE LIMITÉE

QUE COUVRE CETTE GARANTIE : Ce produit est garanti contre tout vice de fabrication ou de matière.

COMBIEN DE TEMPS CETTE GARANTIE DURE : Cette garantie se rapporte seulement à l'acheteur original du produit et dure pendant cinq (5) années de la date de l'achat original ou jusqu'à ce que l'acheteur original du produit vend ou transfère le produit, celui qui se produit en premier.

QUE FERA AIR KING : Au cours de la période de garantie, Air King, à son choix, réparera ou remplacera n'importe quelle partie ou pièces qui s'avèrent défectueuses ou remplacera le produit entier par le même modèle ou un modèle comparable.

CE QUE CETTE GARANTIE NE COUVRE PAS : Cette garantie ne s'applique pas si le produit était endommagé ou arrête de fonctionner en raison d'un accident, d'une mauvaise manipulation ou opération, de dommages d'expédition, d'abus, de mauvaise utilisation, de réparation faite ou tentées non autorisées. Cette garantie ne couvre pas les coûts d'expédition pour le retour des produits à Air King pour la réparation ou le remplacement. Air King payera les frais d'expédition de retour de Air King après les réparations ou le remplacement de garantie.

TOUTES LES GARANTIES, EXPRESSES OU TACITES (COMPRENANT, SANS LIMITATION, TOUTE GARANTIE TACITE DE VALEUR MARCHANDE), DURENT UN AN DE LA DATE DE L'ACHAT ORIGINAL OU JUSQU'À CE QUE L'ACHETEUR ORIGINAL DU PRODUIT VEND OU TRANSFÈRE LE PRODUIT, CELUI QUI SE PRODUIT EN PREMIER ET DANS AUCUN CAS AIR KING N'ASSUME AUCUNE RESPONSABILITÉ EXPRESSE OU TACITE POUR (I) DES DOMMAGES ACCIDENTELS OU INDIRECTS DE N'IMPORTE QUELLE CAUSE, OU (II) LE REMPLACEMENT OU LA RÉPARATION DE TOUS FUSIBLES, DISJONCTEURS OU RÉCEPTACLES DE MAISON. MALGRÉ N'IMPORTE QUOI À L'EFFET CONTRAIRE, DANS AUCUN CAS LA RESPONSABILITÉ D'AIR KING, SOUS UNE GARANTIE EXPRESSE OU TACITE, NE DÉPASSERA LE PRIX D'ACHAT DU PRODUIT ET UNE TELLE RESPONSABILITÉ SE TERMINERA AVEC L'EXPIRATION DE LA PÉRIODE DE GARANTIE.

Certains états et provinces ne permettent pas les limitations de la période de garantie, ou l'exclusion ou la restriction des dommages accidentels ou indirects, et, par conséquent, les présentes restrictions ne peuvent pas s'appliquer. La présente garantie vous donne des droits légaux spécifiques et peut-être certains autres droits qui peuvent varier selon la province. La preuve d'achat est exigée avant qu'une réclamation de garantie ne soit acceptée.

SERVICE À LA CLIENTÈLE :

Sans frais (800) 465-7300

Notre équipe de service à la clientèle est disponible pour vous aider avec des questions sur le produit, les adresses des centres de service, et les pièces de rechange. Vous pouvez la rejoindre, du lundi au vendredi, de 8h:00 à 16h:00 HNE. Veuillez avoir le numéro du modèle disponible, ainsi que le genre et le style (qui se trouvent sur l'étiquette à l'intérieur de votre produit). Veuillez ne pas renvoyer le produit à l'endroit de l'achat.

www.airkinglimited.com

IL SE PEUT QUE LES PIÈCES POUR LES PRODUITS DISCONTINUÉS, OBSOLÈTES ET AUTRES PRODUITS NE SOIENT PAS DISPONIBLES. POUR DES RAISONS DE SÛRETÉ, BEAUCOUP DE COMPOSANTS ÉLECTRONIQUES ET LA PLUPART DES COMPOSANTS DES CHAUFFAGES NE SONT PAS À LA DISPOSITION DES CONSOMMATEURS POUR L'INSTALLATION OU LE REMPLACEMENT.

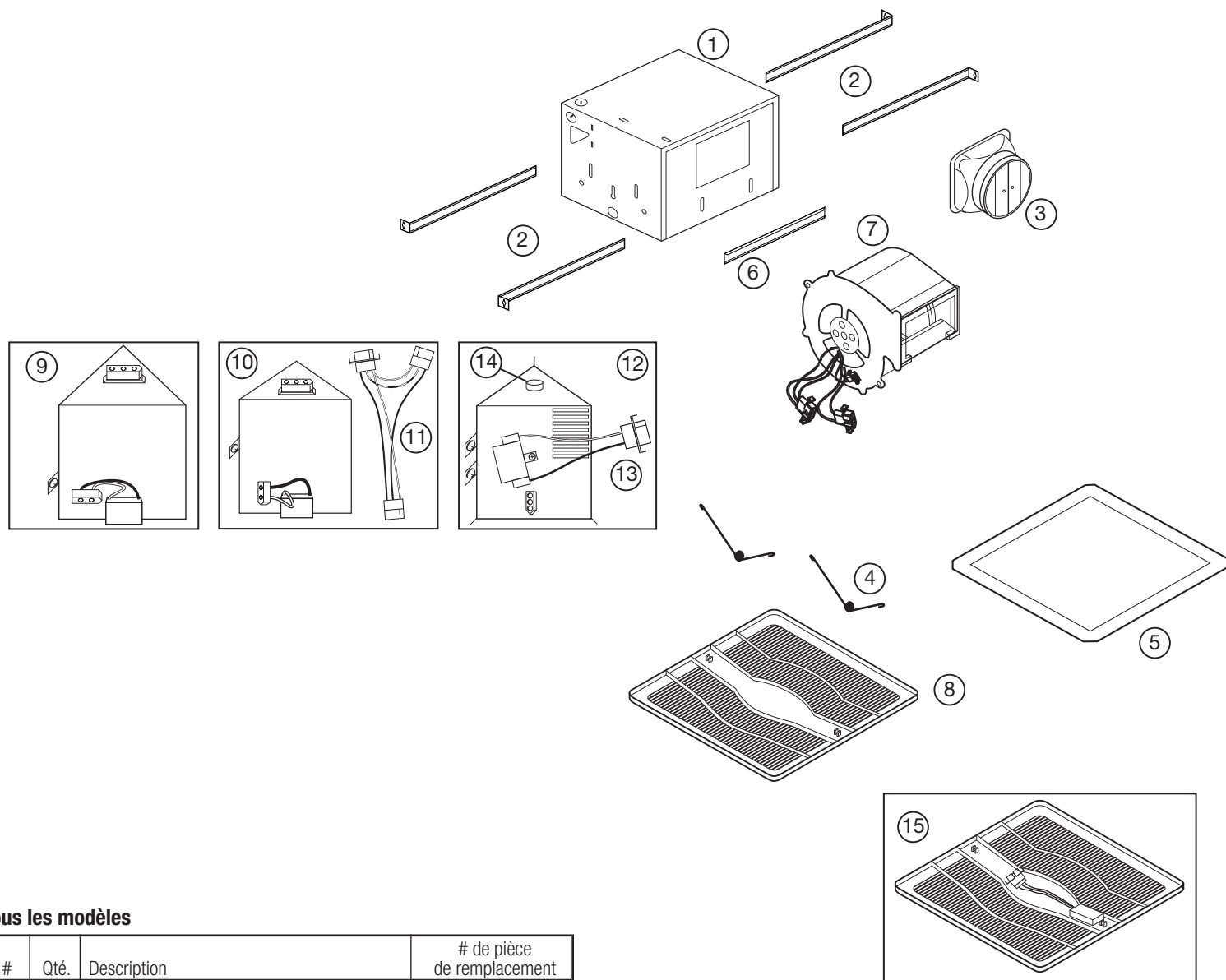
Installateur : _____

Date d'installation : _____

Endroit de l'achat : _____

Numéro de modèle : _____

DIAGRAMME DES PIÈCES DE REMPLACEMENT



Tous les modèles

#	Qté.	Description	# de pièce de remplacement
1	1	Cabinet du ventilateur	5S1239009
2	4	Traverses de Montage	5S1299002
3	1	Assemblée de collier en métal de 6 po	5S5299100
4	2	Ressorts de la grille	5S1202046
5	1	Bride du plafond	5S1202050
6	2	Canal de montage	5S1239021
7	1	Assemblée de la Soufflante	5S2239008

Particularités des modèles ES80S, ES130S

#	Qté.	Description	# de pièce de remplacement
8	1	Grille	5S1202048
9	1	Assemblée du compartiment du fil - ES80S	5S1239001
	1	Assemblée du compartiment du fil - ES130S	5S1239002

Particularités des modèles AK150LS

#	Qté.	Description	# de pièce de remplacement
8	1	Grille	5S1202048
9	1	Assemblée du compartiment du fil	5S1239016

Particularités des modèles ES80SG, ES130SG

#	Qté.	Description	# de pièce de remplacement
10	1	Assemblée du compartiment du fil - ES80SG	5S1239016
	1	Assemblée du compartiment du fil - ES130SG	5S1239017
11	1	Faisceau électrique	5S1239001
15	1	Assemblée de Grille	5S1239002

Particularités des modèles ES80SH, ES130SH

#	Qté.	Description	# de pièce de remplacement
8	1	Grille	5S1202048
12	1	Assemblée du compartiment du fil	5S1299801
13	1	Faisceau électrique - ES80SH	5S2239002
	1	Faisceau électrique - ES130SH	5S2239003
14	1	Bouton	5S1299802