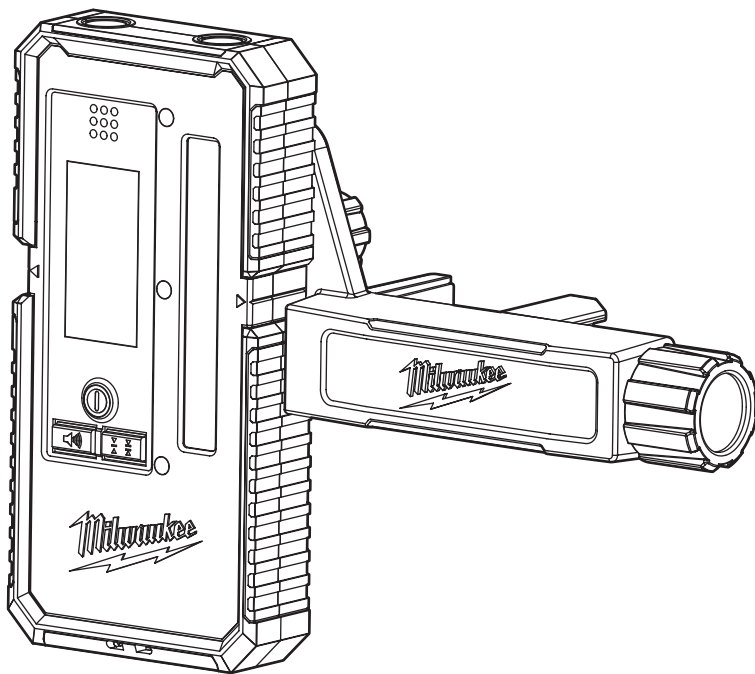




OPERATOR'S MANUAL
MANUEL de L'UTILISATEUR
MANUAL del OPERADOR



Cat. No. / No de cat.
48-35-1211

165' LASER LINE DETECTOR
DETECTEUR DE LIGNE DE LASER DE 50 m (165')
DETECTOR DE LÍNEA DE LASER DE 50 m (165')



WARNING To reduce the risk of injury, user must read and understand operator's manual.

AVERTISSEMENT Afin de réduire le risque de blessures, l'utilisateur doit lire et bien comprendre le manuel.

ADVERTENCIA Para reducir el riesgo de lesiones, el usuario debe leer y entender el manual.

GENERAL POWER TOOL SAFETY WARNINGS

WARNING Read and understand all instructions. Failure to follow all instructions listed below, may result in electric shock, fire and/or serious personal injury. **Save all warnings and instructions for future reference.**

• **Save these instructions** - This operator's manual contains important safety and operating instructions.

WORK AREA SAFETY

- **Ensure adequate safeguards at the work site (e.g., surveying site when measuring on roads, construction sites, etc.).**
- **Avoid dangerous environments.** Avoid extended exposure to rain, snow, damp or wet locations. Do not use in the presence of explosive atmospheres (gaseous fumes, dust or flammable materials).

PERSONAL SAFETY

- **Do not allow persons unfamiliar with the tool, these safety instructions, and the tool's operator's manual to operate the tool.** This tool can be dangerous in the hands of untrained users.
- **Do not overreach. Keep proper footing and balance at all times.** This enables better control of the tool in unexpected situations.

BATTERY USE AND CARE

- **This tool is designed to be powered by 2-AA batteries properly inserted into the tool.** Do not attempt to use with any other voltage or power supply.
- **Do not leave batteries within the reach of children.**
- **Do not mix new and used batteries. Do not mix brands (or types within brands) of batteries.**
- **Do not mix rechargeable and non-rechargeable batteries.**
- **Install batteries according to polarity (+ / -) diagrams.**
- **Properly dispose of used batteries immediately.**
- **Do not incinerate or dismantle batteries.**
- **Under abusive conditions, liquid may be ejected from the battery, avoid contact. If contact accidentally occurs, flush with water. If liquid contacts eyes, additionally seek medical help.** Liquid ejected from the battery may cause irritation or burns.

SPECIFIC SAFETY RULES FOR LASER LINE DETECTOR

- **Watch out for erroneous results if the tool is defective or if it has been dropped, misused or modified.**
- **Do not dispose of tool or batteries together with household waste material!** Tool and batteries that have reached the end of their life must be collected separately and returned to an environmentally compatible recycling facility.
- **Ensure tool magnets are securely mounted to a metal surface. Magnet strength may not hold on thin metal surfaces, causing the tool to fall.**
- **Maintain labels and nameplates.** These carry important information. If unreadable or missing, contact a MILWAUKEE service facility for a free replacement.
- **The device conforms to the most stringent requirements of the relevant Electromagnetic Compatibility (EMC) Standards and Regulations.** Yet, the possibility of causing interference in other devices cannot be totally excluded.

• **CAUTION** Use of controls or adjustments or performance of procedures other than those specified herein may result in hazardous radiation exposure.

• **Be sure to power off instrument after use.** When instrument will not be used for a long period, place it in storage after removing batteries.

FC Federal Communications Commission **WARNING** Changes or modifications to this unit not expressly approved by the party responsible for compliance could void the user's authority to operate the equipment.

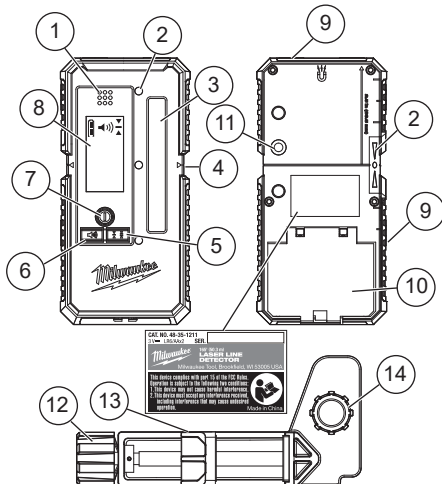
This equipment has been tested and found to comply with the limits for a Class B digital device, pursuant to Part 15 of the FCC Rules. These limits are designed to provide reasonable protection against harmful interference in a residential installation. This equipment generates, uses and can radiate radio frequency energy and, if not installed and used in accordance with the instructions, may cause harmful interference to radio communications.

However, there is no guarantee that interference will not occur in a particular installation. If this equipment does cause harmful interference to radio or television reception, which can be determined by turning the equipment off and on, the user is encouraged to try to correct the interference by one or more of the following measures:





- Reorient or relocate the receiving antenna.
- Increase the separation between the equipment and receiver.
- Consult the dealer or an experienced radio/TV technician for help.

FUNCTIONAL DESCRIPTION

- | | |
|---------------------------------|-----------------------------|
| 1. Speaker | 8. Display |
| 2. Laser locator indicator LEDs | 9. Magnets |
| 3. Sensor | 10. Battery door |
| 4. Center line | 11. Clamp connection thread |
| 5. Accuracy mode button | 12. Clamping knob |
| 6. Volume button | 13. Clamping jaws |
| 7. Power button | 14. Attachment knob |



SYMBOLLOGY

	Volts
	Direct Current
	Magnets
	Read operator's manual

SPECIFICATIONS

Cat. No.	48-35-1211
Voltage	3 V (2xAA) LR6
Reception Angle	±40°
Measuring Accuracy Fine	±0.03" @ 33'
Measuring Accuracy Course	±0.04" @ 33'
Wavelength Compatibility	510-530 nm
Storage Temp.	-4°F to 140°F
Working Range	15' up to 165' (dependent on laser source)
Receiving Area	3"
Ingress Protection	IP54
Center Indication (from top)	2-1/2"
Auto Shut Off	15 min
NO button press	3 hrs
Operating Temperature	14°F to 104°F

ASSEMBLY

Changing the Battery

Only use alkaline batteries. Do not use zinc-carbon batteries. If the laser will not be used for a long time, remove the batteries as a protection against corrosion.

Change batteries when the battery indication begins flashing. To change the batteries:

1. Lift latch to open battery door.
2. Insert two AA batteries according to the +/- polarity marked in the compartment.
3. Install the battery door securely.

Fuel Gauge

To determine the amount of charge left in the battery, turn the tool **ON**. Charge will show in the display: Full, 3/4, 1/2 and Low Battery warning.



*Battery life may vary by brand/age. Replace the batteries as soon as possible.


OPERATION


⚠WARNING To reduce the risk of injury or temporary effects on vision, do not look directly into the laser when it is on.

⚠CAUTION Use of controls or adjustments or performance of procedures other than those specified herein may result in hazardous radiation exposure.



NOTICE Perform the Accuracy Field Check procedure immediately upon unboxing of each new Laser Level Detector and before exposure to jobsite conditions. See "Accuracy Field Check" for information.

Turning On/Off

To turn on the laser detector, press the Power Button  until the units BEEPS and ICONS and LEDs Flash.

To turn off the laser detector, press and hold the power button  for more than 2 seconds. Unit will automatically turn off after 15 minutes with NO buttons pressed and NO lasers detected, 3 hours with laser detected and NO buttons pressed.

Using the Laser Detector


1. Press the Power Button  to toggle between Back Light ON and Back Light Off.
2. Press the Volume Button  to toggle between volume options:

 High Volume (Default)

 Low Volume

 Mute/Silent

3. Press the Accuracy Mode Bottom to toggle between accuracy options:

 Fine (Default)

 Coarse

4. Hold the detector so the sensor is facing the laser source. For best results, ensure the detector is level or plumb to the ground and the sensor is perpendicular to the light source.
5. Slowly move the detector up/down or left/ right in the general area of the projected laser beam.
6. Once the beam is detected, use the Display or LED indication to align the Center Line of the detector with the Laser Beam*.

*Use with MILWAUKEE Laser Levels for best results.

Clamp

To use clamp, align locating posts with the back of the Detector.

Tighten attachment knob until secure.

Use clamping knob to open/close knobs and attach to grade rod, 2x4 or similar.

Laser Locating Display and Audible Indicator

An arrow will be displayed to indicate which direction the user must move the Detector in order to align the Center Line with Laser Beam being detected.

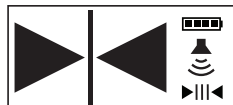
Depending which direction, the speaker will beep at either 10 hz (fast) or 4 hz (slow) to indicate which direction to move the detector.

*A solid line will be displayed when the detector center line is aligned with the laser beam being detected. The speaker will play a solid tone and the Green LED will blink.

*When the laser beam being detected is left of the detector center line, an arrow pointing left will be displayed. The speaker will beep quickly at 10 hz and the Red LED will blink.

*When the laser beam being detected is right of the detector center line, an arrow pointing right will be displayed. The speaker will beep slowly at 4 hz and the Blue LED will blink.

*Side LEDs supply the same color and sound indicators.



Troubleshooting

If the tool does not turn on:

- Ensure batteries are inserted correctly according to the +/- polarity marked in the compartment.
 - Replace batteries that may be at the end of life.
 - Ensure the tool's internal temperature is within specified operating ranges. If stored in excessive heat or cold, allow at least 2 hours to acclimate to ambient temperature before turning on the tool.
- If problem persists, please contact a MILWAUKEE service facility for support.

ACCURACY FIELD CHECK

NOTICE Perform the Accuracy Field Check procedure immediately upon unboxing of each new Laser Level Detector and before exposure to jobsite conditions. See "Accuracy Field Check" for information. Should any deviation from listed product accuracy be found, please contact a MILWAUKEE service facility. Failure to do so could result in rejection of warranty claim.

Influences on Accuracy

Sunlight or other extreme lighting conditions can inversely impact accuracy. For best results, use indoors or avoid direct sunlight.

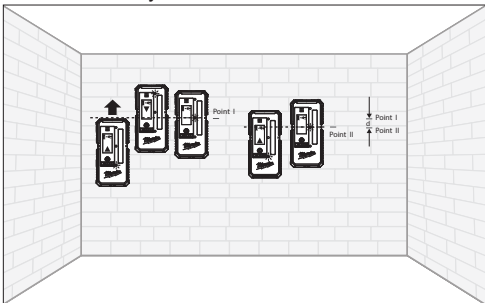
Abusive treatment of the Laser Level Detector, such as excessive impacts from drop, can lead to deviations in product accuracy.

Therefore, it is recommended to conduct the Field Check procedure after any impact or before completing any critical jobs.

For best results, use with MILWAUKEE Lasers.

Horizontal Leveling Accuracy

1. Set up compatible laser 33' from flat wall. Turn on lasers horizontal beam.
2. Ensure the laser source is self leveled and perpendicular to wall.
3. Place detector flat on wall directly in front of the laser source and slightly below the projected laser line.
4. Keeping the detector bottom parallel with the ground, raise detector until down arrow appears.
5. Lower detector until center line appears.
6. Mark a line on the wall – Point I.
7. Continue to lower detector until up arrow appears.
8. Raise detector until center line appears.
9. Mark a line on the wall – Point II.
10. Measure the distance between Point I and Point II – divide by 2.



MAINTENANCE

WARNING To reduce the risk of injury, always remove the battery before performing any maintenance. Never disassemble the tool.

Maintain Laser Detector

Maintain tools. If damaged, have the tool repaired before use. Accidents may be caused by poorly maintained tools.

WARNING To reduce the risk of personal injury and damage, never immerse your tool in liquid or allow a liquid to flow inside them.

Cleaning

Keep tool housing clean, dry and free of oil or grease. Use only mild soap and a damp cloth to clean the tool since certain cleaning agents and solvents are harmful to plastics and other insulated parts. Some of these include gasoline, turpentine, lacquer thinner, paint thinner, chlorinated cleaning solvents, ammonia and household detergents containing ammonia. Never use flammable or combustible solvents around tools.

Cleaning the Sensor Window

Blow off loose particles with clean compressed air. Carefully wipe the surface with a cotton swab moistened with water.

Repairs

This tool has limited serviceable parts. Do not open housing or disassemble tool. For repairs, return the tool, battery pack and charger to the nearest authorized service center.

ACCESSORIES

WARNING Use tools only with specifically designated accessories. Use of any other accessories may create risk of injury.

SERVICE - UNITED STATES

1-800-SAWDUST (1.800.729.3878)

Monday-Friday, 7:00 AM - 6:30 PM CST

or visit www.milwaukeeetool.com

Contact Corporate After Sales Service Technical Support with technical, service/repair, or warranty questions.

Email: metproductsupport@milwaukeeetool.com

Become a Heavy Duty Club Member at www.milwaukeeetool.com to receive important notifications regarding your tool purchases.

SERVICE - CANADA

Milwaukee Tool (Canada) Ltd

1.800.268.4015

Monday-Friday, 7:00 AM - 4:30 PM CST

or visit www.milwaukeeetool.ca

LIMITED WARRANTY USA & CANADA

Every MILWAUKEE power tool* (see exceptions below) is warranted to the original purchaser only to be free from defects in material and workmanship. Subject to certain exceptions, MILWAUKEE will repair or replace any part on an electric power tool which, after examination, is determined by MILWAUKEE to be defective in material or workmanship for a period of five (5) years** after the date of purchase unless otherwise noted. Return of the power tool to a MILWAUKEE factory Service Center location or MILWAUKEE Authorized Service Station, freight prepaid and insured, is required. A copy of the proof of purchase should be included with the return product. This warranty does not apply to damage that MILWAUKEE determines to be from repairs made or attempted by anyone other than MILWAUKEE authorized personnel, misuse, alterations, abuse, normal wear and tear, lack of maintenance, or accidents. Normal Wear: Many power tools need periodic parts replacement and

service to achieve best performance. This warranty does not cover repair when normal use has exhausted the life of a part including, but not limited to, chucks, brushes, cords, saw shoes, blade clamps, o-rings, seals, bumpers, driver blades, pistons, strikers, lifters, and bumper cover washers. *This warranty does not cover Air Nailers & Staplers; Airless Paint Sprayer; Cordless Battery Packs; Gasoline Driven Portable Power Generators; Hand Tools; Hoist – Electric, Lever & Hand Chain; M12™ Heated Gear; Reconditioned Product; and Test & Measurement Products. There are separate and distinct warranties available for these products, **The warranty period for: Job Site Radios, M12™ Power Fort, M18™ Power Source, Jobsite Fan and Trade Titan™ Industrial Work Carts is one (1) year from the date of purchase. The warranty period for the M18 FUEL™ 1" D-Handle High Torque Impact Wrenches, Drain Cleaning Cables, AIRSNAKE™ Drain Cleaning Air Gun Accessories, and REDLITHIUM™ USB Laser Levels is two (2) years from the date of purchase. The warranty period for the M18™ Compact Heat Gun, 8 Gallon Dust Extractor, M18™ Framing Nailers, M18 FUEL™ 1/2" Ext. Anvil Controlled Torque Impact Wrench w/ ONE-KEY™, M18 FUEL™ 1" High Torque Impact Wrench w/ ONE-KEY™, M18 FUEL™ 2 Gal. Compact QuiG Compressor, M12™ USB Laser Levels, 165' Laser Detector, and M12™ 23GA Pin Nailer is three (3) years from the date of purchase. The warranty period for the LED in the LED Work Light and the LED Upgrade Bulb for the Work Light is the lifetime of the product subject to the limitations above. If during normal use the LED or LED Bulb fails, the part will be replaced free of charge.

Warranty Registration is not necessary to obtain the applicable warranty or a MILWAUKEE power tool product. The manufacturing date of the product will be used to determine the warranty period if no proof of purchase is provided at the time warranty service is requested. ACCEPTANCE OF THE EXCLUSIVE REPAIR AND REPLACEMENT REMEDIES DESCRIBED HEREIN IS A CONDITION OF THE CONTRACT FOR THE PURCHASE OF EVERY MILWAUKEE PRODUCT. IF YOU DO NOT AGREE TO THIS CONDITION, YOU SHOULD NOT PURCHASE THE PRODUCT. IN NO EVENT SHALL MILWAUKEE BE LIABLE FOR ANY INCIDENTAL, SPECIAL, CONSEQUENTIAL OR PUNITIVE DAMAGES, OR FOR ANY COSTS, ATTORNEY FEES, EXPENSES, LOSSES OR DELAYS ALLEGED TO BE AS A CONSEQUENCE OF ANY DAMAGE TO, FAILURE OF, OR DEFECT IN ANY PRODUCT INCLUDING, BUT NOT LIMITED TO, ANY CLAIMS FOR LOSS OF PROFITS. SOME STATES DO NOT ALLOW THE EXCLUSION OR LIMITATION OF INCIDENTAL OR CONSEQUENTIAL DAMAGES SO THE ABOVE LIMITATION OR EXCLUSION MAY NOT APPLY TO YOU. THIS WARRANTY IS EXCLUSIVE AND IN LIEU OF ALL OTHER EXPRESS WARRANTIES, WRITTEN OR ORAL, TO THE EXTENT PERMITTED BY LAW. MILWAUKEE DISCLAIMS ANY IMPLIED WARRANTIES, INCLUDING WITHOUT LIMITATION ANY IMPLIED WARRANTY OF MERCHANTABILITY OR FITNESS FOR A PARTICULAR USE OR PURPOSE; TO THE EXTENT SUCH DISCLAIMER IS NOT PERMITTED BY LAW, SUCH IMPLIED WARRANTIES ARE LIMITED TO THE DURATION OF THE APPLICABLE EXPRESS WARRANTY AS DESCRIBED ABOVE. SOME STATES DO NOT ALLOW LIMITATIONS ON HOW LONG AN IMPLIED WARRANTY LASTS, SO THE ABOVE LIMITATION MAY NOT APPLY TO YOU. THIS WARRANTY GIVES YOU SPECIFIC LEGAL RIGHTS, AND YOU MAY ALSO HAVE OTHER RIGHTS WHICH VARY FROM STATE TO STATE.

This warranty applies to product sold in the U.S.A. and Canada only. Please consult the 'Service Center Search' in the Parts & Service section of MILWAUKEE's website www.milwaukeeetool.com or call 1.800.SAWDUST (1.800.729.3878) to locate your nearest service facility for warranty and non-warranty service on a Milwaukee electric power tool.

RÈGLES DE SÉCURITÉ GÉNÉRALES RELATIVES AUX OUTILS ÉLECTRIQUES

- AVERTISSEMENT** Lire et veiller à bien comprendre toutes les instructions. Le non-respect des instructions ci-dessous peut entraîner un choc électrique, un incendie et des blessures graves. Garder tous les avertissements et toutes les consignes à des effets de référence ultérieure.
- **Conserver ces instructions** - Ce manuel d'utilisation contient d'importantes instructions de sécurité et de fonctionnement.

SÉCURITÉ DU LIEU DE TRAVAIL

- **Veillez s'assurer qu'il y ait les protections correspondantes au lieu de travail (c'est-à-dire, surveiller le site lorsqu'on mesure les chemins, les chantiers de construction, etc.).**
- **Éviter les environnements dangereux.** Ne pas exposer le dispositif à la pluie ou à la neige et ne pas l'utiliser dans un endroit humide ou mouillé. Ne pas utiliser le dispositif au milieu d'atmosphères explosives (où l'on trouve de fumées gazeuses, de la poussière ou bien, de matériaux inflammables).

SECURITE PERSONNELLE

- **Ne pas laisser personne n'ayant aucune idée de comment ce dispositif fonctionne s'approcher de l'appareil, de ces instructions de sécurité et du manuel d'utilisation.** Ce dispositif peut être dangereux si manipulé par d'utilisateurs novices.
- **Ne pas travailler hors de portée. Toujours se tenir bien campé et en équilibre.** Une bonne stabilité procure un meilleur contrôle du dispositif en cas de situations imprévues.

UTILISATION ET ENTRETIEN DE LA BATTERIE

- **Cet outil a été conçu pour fonctionner à 2 piles AA correctement installés dans l'outil.** Ne pas tenter d'utiliser le produit à une autre tension ou avec un autre type d'alimentation.
- **Ne pas laisser les piles à la portée des enfants.**
- **Ne pas combiner des piles neuves et usagées. Ne pas mélanger des piles de marques différentes (ou des piles de même marque mais de types différents).**
- **Ne pas mélanger des piles rechargeables et non rechargeables.**
- **Mettre les piles en respectant la polarité (+ / -) indiquée.**
- **Se débarrasser adéquatement des piles usagées. Ne pas brûler ni démonter les piles.**
- **En cas d'usage abusif, du liquide peut s'échapper des piles. Éviter tout contact avec ce liquide. En cas de contact accidentel, rincer immédiatement les parties atteintes avec de l'eau. Si le liquide entre en contact avec les yeux, consulter un médecin.** Le liquide s'échappant des batteries peut causer des irritations ou des brûlures.

RÈGLES DE SÉCURITÉ SPÉCIFIQUES POUR DETECTEUR DE LIGNE DE LASER

- **Faire attention à toute action erronée qui résulte d'une anomalie dans l'outil ou bien, si l'outil est tombé, mal utilisé ou modifié.**
- **Ne pas se débarrasser de l'outil conjointement avec les piles en les mettant avec les déchets ménagers !** L'outil et les piles qui ont atteint leur durée de vie utile devront être ramassés indépendamment pour les retourner à une installation de recyclage respectueuse de l'environnement.
- **Maintenir en l'état les étiquettes et les plaques d'identification.** Des informations importantes y figurent. Si elles sont illisibles ou manquantes, contacter un centre de services et d'entretien MILWAUKEE pour un remplacement gratuit.
- **Veillez s'assurer que les aimants de l'outil soient bien fixés à une surface en métal. Il est possible que la puissance de l'aimant l'empêche de se fixer sur de surfaces en métal fines, ce qui causera la chute de l'outil.**
- **Le dispositif est conforme aux exigences les plus strictes des Normes et Réglementations de Compatibilité Electromagnétique (EMC). Néanmoins, il n'est pas tout à fait impossible que d'autres dispositifs causent de brouillage.**
- **ATTENTION** L'usage de contrôles, de réglages ou de procédures ne figurant pas dans ce manuel peut entraîner l'exposition à de radiations dangereuses.
- **Veiller à mettre l'instrument hors tension après l'utilisation.** Si l'instrument n'est pas utilisé pendant une longue période, l'entreposer après avoir retiré piles.

qui n'a pas été expressément approuvée par le responsable de la conformité du produit pourrait suffire à révoquer le droit de l'utilisateur à se servir de l'équipement.

Après avoir effectué un essai à l'équipement, il a été déterminé que celui-ci est conforme aux normes relatives à un appareil numérique de classe B, selon la partie 15 des règles de la FCC. Ces limites sont conçues pour assurer une protection raisonnable contre les perturbations nuisibles dans une installation résidentielle. Cet équipement produit, utilise et peut irradier une énergie haute fréquence et, s'il n'est pas installé conformément aux présentes instructions, peut causer le brouillage des communications radio.

Toutefois, il n'existe aucune garantie que le brouillage ne se produira pas dans une installation donnée. Si cet équipement cause du brouillage de la réception d'émissions de radio ou de télévision, ce qui peut être déterminé en l'éteignant et en le rallumant, il est conseillé que l'utilisateur essaie de corriger le problème en prenant l'une ou plusieurs des mesures suivantes:

- Réorientation de l'antenne réceptrice.
- Augmentation de la distance entre le matériel et le récepteur.
- Consulter le concessionnaire ou un technicien radio/TV qualifié pour obtenir de l'aide.

SPÉCIFICATIONS

No de Cat..... **48-35-1211**

Tension 3 V (2xAA) LR6

Angle de réception..... ±40°

Mesure de précision fine ±0,76 mm (0,03")
à 10 m (33')

Mesure de précision de cours ±1 mm (0,04")
à 10 m (33')

Compatibilité de longueur d'onde 510 à 530 nm

Température d'entreposage..... -20°C à 49°C
(-4°F to 120°F)

Plage de travail..... 4,6 m (15') à 50 m (165')
(d'après la source du laser)

Aire de réception 76,2 mm (3")

Indice de protection IP54

Marque central (depuis la partie supérieure)..... 63,5 mm (2-1/2")

Arrêt automatique 15 min
Sans appuyer le bouton..... 3h

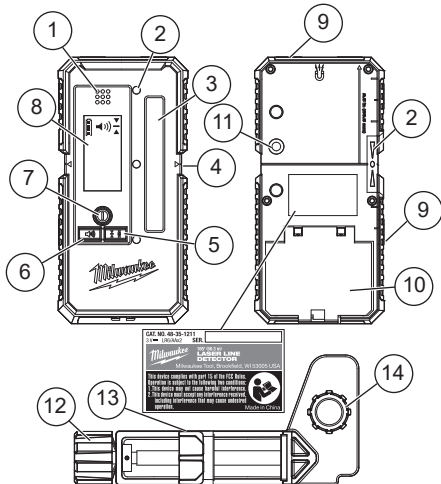
Température de fonctionnement..... -10°C à 40°C
(14°F à 104°F)

PICTOGRAPHIE

- Volts
- Courant direct
- Aimants
- Lire le manuel d'utilisation

DESCRIPTION FONCTIONNELLE

1. Haut-parleur
2. Avertisseurs à DEL du localisateur du laser
3. Capteur
4. Ligne centrale
5. Bouton de mode de précision
6. Bouton de volume
7. Bouton d'alimentation
8. Écran
9. Aimants
10. Porte du compartiment des piles
11. Fil de connexion de serre-joint Connection Thread
12. Bouton de serre-joint
13. Mâchoires de serrage
14. Bouton d'attachement



ASSEMBLAGE

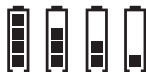
Remplacement des piles

Utiliser uniquement de piles alcalines. Ne pas utiliser de piles au zinc-charbon. Si le laser ne sera pas utilisé pour une longue période, retirer les piles en tant qu'une mesure de protection contre la corrosion. Changer les piles lorsque le témoin de piles commence à clignoter. Pour changer les piles :

1. Soulever le loquet afin d'ouvrir la porte du compartiment de piles.
2. Insérer deux piles AA, en respectant la polarité +/- indiquée sur le compartiment.
3. Bien fermer la porte du compartiment des piles.

Indicateur de charge de la batterie

Pour déterminer la quantité de charge restante de la pile, mettre l'outil **EN MARCHÉ**. La charge s'affichera sur l'écran : Avertissement de charge complète, 3/4, 1/2 et faible.



*La durée de vie des piles pourra varier d'une marque/temps d'usage à l'autre. Remplacer les piles dès que possible.

UTILISATION

AVERTISSEMENT Afin de minimiser le risque de blessures ou d'effets temporaires sur la vision, ne pas regarder directement dans le laser lorsqu'il est allumé.

PRÉCAUTION L'usage de contrôles, de réglages ou de procédures ne figurant pas dans ce manuel peut entraîner l'exposition à des rayonnements dangereux.

AVIS Effectuer une révision de précision sur le champ au moment où chaque niveau laser est sorti de sa boîte et avant de l'exposer aux conditions du chantier. Pour de plus amples renseignements, voire la section « Vérification de précision sur champ ».

Mise en marche et à l'arrêt

Pour allumer le détecteur du laser, appuyer sur le bouton d'alimentation ① jusqu'à ce que les unités émettent un BIP et les ICONES et les avertisseurs à DEL CLIGNOTENT.

Pour éteindre le détecteur du laser, appuyer, sans relâcher, le bouton d'alimentation ① durant, au moins, 2 secondes. L'unité s'éteindra automatiquement après 15 minutes si AUCUN bouton n'est appuyé et AUCUN laser n'est détecté, une fois 3 heures passées sans avoir détecté aucun laser et si AUCUN bouton n'est appuyé.

Mise à l'emploi du détecteur de laser

- Appuyer sur le bouton d'alimentation ① pour ALLUMER ou ÉTEINDRE le rétroéclairage.
- Appuyer sur le bouton de volume pour passer entre les différentes options de volume:

- ▶) Volume élevé (préétabli)
- ▶) Volume faible
- ▶) Muet/inaudible

- Appuyer sur le bouton de mode de précision pour passer entre les différentes options de précision:

- ▼ Fin (préétabli)
- ▲ Grossier

- Tenir le détecteur d'une façon telle que le capteur se trouve en direction de la source du laser. Pour obtenir les meilleurs résultats, veuillez s'assurer que le détecteur soit au niveau ou en aplomb sur le sol et le capteur soit en perpendiculaire par rapport à la source d'éclairage.
- Déplacer doucement le détecteur vers le haut et vers le bas, à droite et à gauche de l'aire générale du faisceau laser projeté.
- Une fois le faisceau est détecté, se servir de l'écran ou de l'avertisseur à DEL pour aligner la ligne centrale du détecteur avec le faisceau du laser*.

*Pour obtenir les meilleurs résultats, l'utiliser avec les niveaux laser MILWAUKEE.

Serre-joint

Pour utiliser le serre-joint, aligner les poteaux d'emplacement avec la partie arrière du détecteur. Serrer fermement le bouton d'accessoire jusqu'à ce qu'il soit bien sécurisé.

Se servir du bouton de serre-joint pour ouvrir/fermer les boutons et l'attacher à une tige de grade de 2x4 ou similaire.

Écran d'emplacement de laser et avertisseur sonore

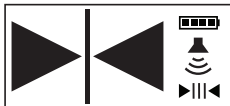
Une flèche s'affichera pour indiquer vers quelle direction l'utilisateur doit déplacer le détecteur afin d'aligner la ligne centrale avec le faisceau détecté. Selon la direction, le haut-parleur fera un bip à une vitesse de soit 10 HZ (rapide), soit 4 HZ (lente) pour indiquer dans quelle direction il faut déplacer le détecteur.

• Une ligne fixe s'affichera lorsque la ligne centrale du détecteur s'aligne avec le faisceau du laser détecté. Le haut-parleur émettra un son continu et l'avertisseur à DEL vert clignotera.

• Lorsque le faisceau du laser à détecter se trouve à gauche de la ligne centrale du détecteur, s'affichera une flèche pointant à gauche. Le haut-parleur émettra un son continu rapide à 10 hz et l'avertisseur à DEL rouge clignotera.

• Lorsque le faisceau du laser à détecter se trouve à droite de la ligne centrale du détecteur, s'affichera une flèche pointant à droite. Le haut-parleur émettra un son continu lent à 4 hz et l'avertisseur à DEL bleu clignotera.

• Les avertisseurs à DEL latéraux afficheront la même couleur et émettront la même sonnerie.



Dépannage

Si l'outil ne s'allume pas:

- Veuillez s'assurer que les piles ont été bien mises, en respectant la polarité +/- marquée sur le compartiment.
- Remplacer les piles qui peut-être sont presque épuisées.
- S'assurer que la température interne de l'outil se trouve auprès des plages de fonctionnement indiquées. Si l'outil a été rangé dans de conditions de chaleur ou de froid extrême, le laisser, pendant deux heures, s'ajuster à la température ambiante avant de l'allumer.

Si le problème persiste, contacter une installation de réparations MILWAUKEE à des fins d'assistance.

REVISION DE PRECISION SUR CHAMP

AVIS Effectuer une révision de précision sur le champ au moment où chaque niveau laser est sorti de sa boîte et avant de l'exposer aux conditions du chantier. Pour de plus amples renseignements, voire la section « Vérification de précision sur champ ». Si jamais une anomalie est trouvée par rapport à l'efficacité listée du produit, veuillez contacter un centre de réparations MILWAUKEE. La faute de cette procédure pourra entraîner le rejet de la réclamation de la garantie.

Influences sur la précision

Les rayons du soleil ou d'autres conditions d'éclairage extrême pourront affecter la précision. Pour obtenir les meilleurs résultats, utiliser ce produit à l'intérieur ou bien, éviter tout contact direct avec les rayons du soleil.

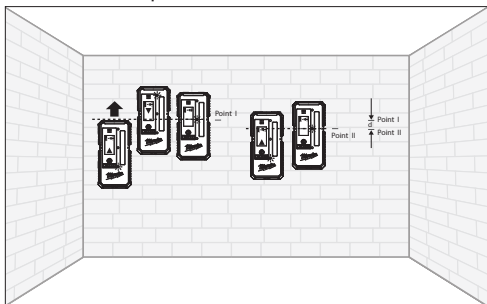
L'usage abusif du détecteur du niveau laser, tel que les impacts excessifs à cause des chutes, pourra causer de déviations dans la précision du produit.

Il est donc conseillé d'effectuer la procédure de vérification sur champ après tout choc et avant d'entreprendre toute tâche critique.

Pour obtenir les meilleurs résultats, utiliser ce produit jumelé aux lasers MILWAUKEE.

Précision de nivellement horizontal

1. Mettre en place le laser compatible à une distance de 10 m (33') par rapport d'un mur plat. Allumer le faisceau horizontal des lasers.
2. Veuillez s'assurer que la source du laser se met à niveau automatiquement et se trouve en perpendiculaire par rapport au mur.
3. Mettre le détecteur en plat sur le mur qui se trouve directement en face de la source du laser et légèrement au-dessous de la ligne laser projetée.
4. Tenir la partie inférieure du détecteur en parallèle par rapport au sol, soulever le détecteur jusqu'à ce que la flèche s'affiche.
5. Abaisser le détecteur jusqu'à ce que la ligne centrale s'affiche.
6. Marquer une ligne sur le mur, le Point I.
7. Continuer à abaisser le détecteur jusqu'à ce que la flèche haut s'affiche.
8. Soulever le détecteur jusqu'à ce que la ligne centrale s'affiche.
9. Marquer une ligne sur le mur, le Point II.
10. Mesurer la distance entre le Point I et le Point II, et la diviser par 2.



ENTRETIEN

AVERTISSEMENT Afin de minimiser le risque de blessures, toujours enlever les piles avant d'effectuer tout entretien. Ne jamais démonter l'outil.

Entretien du détecteur du laser

Entretien les outils. En cas de dommages, faire réparer l'outil avant de l'utiliser. Les accidents pourront survenir à cause d'outils mal entretenus.

AVERTISSEMENT Afin de minimiser le risque de blessures physiques ou de dommages, ne jamais immerger l'outil dans un liquide et ne laisser aucun liquide entrer dans l'outil.

Nettoyage

Maintenir le boîtier de l'outil propre, sec et exempt de la graisse et de l'huile. Utiliser uniquement un savon neutre et un linge humide, car certains agents de nettoyage et certains solvants peuvent détériorer le plastique et les autres pièces isolées. En voici quelques exemples : l'essence, la térébenthine, les diluants à laque ou à peinture, les solvants chlorés, l'ammoniaque et les détergents à usage domestique qui en contiennent. Ne jamais utiliser de solvants inflammables ou combustibles autour des outils.

Nettoyage de la vitre du capteur

Souffler les particules volantes à l'aide de l'air comprimé propre. Essuyer soigneusement la surface à l'aide d'un coton-tige imbibé de l'eau.

Réparations

Cet outil comporte de pièces desservables limitées. Ne pas ouvrir la boîte et ne pas désarmer l'outil. À des fins de réparations, retourner l'outil, le bloc-piles et le chargeur au centre de service agréé le plus près.

ACCESSOIRES

AVERTISSEMENT N'utiliser les outils qu'avec les accessoires spécifiquement recommandés. L'usage de tout autre accessoire peut entraîner un risque de blessure.

SERVICE - CANADA

Milwaukee Tool (Canada) Ltd
1.800.268.4015

Monday-Friday, 7:00 AM - 4:30 PM CST
www.milwaukeetool.ca

GARANTIE LIMITÉE - AUX ÉTATS-UNIS ET AU CANADA

Chaque outil électrique* MILWAUKEE (voir exceptions ci-dessous) est garanti à l'acheteur d'origine uniquement pour être exempt de vices de matériaux et de fabrication. Sous réserve de certaines exceptions, MILWAUKEE réparera ou remplacera toute pièce d'un outil électrique qui, après examen par MILWAUKEE, s'est avérée être affectée d'un vice de matériau ou de fabrication et ce pendant une période de cinq (5) ans** à compter de la date d'achat, sauf indication contraire. Retourner l'outil électrique à un centre de réparation en usine MILWAUKEE ou à un poste d'entretien agréé MILWAUKEE, en port prépayé et assuré. Une copie de la preuve d'achat doit être présentée lors du retour du produit. Cette garantie ne couvre pas les dommages que MILWAUKEE détermine être causés par des réparations ou des tentatives de réparation par quiconque autre que le personnel agréé par MILWAUKEE, ou par des utilisations incorrectes, des altérations, des utilisations abusives, une usure normale, une carence d'entretien ou des accidents.

Usure normale : Plusieurs outils électriques requièrent un remplacement et un entretien périodique de leurs pièces pour un meilleur rendement. Cette garantie ne couvre pas la réparation des pièces due à l'utilisation normale de l'outil, y compris, mais sans s'y limiter, les mandrins, les broches, les cordes, les sabots de scie, les porte-lames, les joints toriques, les joints, les amortisseurs, les lames d'entraînement, les pistons, les perceurs, les crochets et les rondelles à couvercle amortisseur.

* Cette garantie ne s'applique pas aux clouuses-griffes pneumatiques, aux pulvérisateurs à peinture sans air, aux blocs-piles pour outils sans fil, aux génératrices d'alimentation portatives à essence, aux outils à main, aux monte-charges - électriques, à levier et à chaîne, aux vestes chauffantes M12™, aux produits ré-usinés, ni aux produits d'essai et de mesure. Il existe des garanties séparées distinctes pour ces produits.

** La période de garantie applicable pour les radios de chantier, le port d'alimentation M12™, la source électrique M18™, le ventilateur de chantier et les chariots de travail industriels Trade Titan™ est d'une durée d'un (1) an à compter de la date d'achat. La période de garantie pour les M18 FUEL™ 1" chocs à couple élevé à poignée en « D », câbles de nettoyage des drains, les accessoires de pistolet à air de vidange AIRSNAKE™ et les niveaux laser USB REDLITHIUM™ est de deux (2) ans à compter de la date d'achat. La période de garantie pour le pistolet thermique compact M18™ Dépoussièreur de 6 gallons, M18™ clouuses à ossature, M18 FUEL™ 1/2" clé à chocs de enclume prolongé, couple contrôlé avec ONE-KEY™, M18 FUEL™ 1" clé à chocs de couple élevé avec ONE-KEY™, M18 FUEL™ compresseur silencieux compact de 7.6 L, les niveaux laser M12™, détecteur laser de 19.8 m, et clouuse à chevilles 23GA M12™ est de trois (3) ans à compter de la date d'achat. La période de garantie couvrant la DEL de la lampe de travail à DEL et l'ampoule améliorée à DEL de la lampe de travail est une garantie à vie du produit soumise aux limitations ci-dessus. En cas de défaillance de la DEL ou de l'ampoule à DEL pendant son utilisation normale, la pièce défectueuse sera remplacée gratuitement.

L'enregistrement de la garantie n'est pas nécessaire pour bénéficier de la garantie en vigueur sur un outil électrique MILWAUKEE. La date de fabrication du produit servira à établir la période de garantie, si aucune preuve d'achat n'est fournie lorsqu'une demande de service sous garantie est déposée.

ACCEPTATION DES RECOURS EXCLUSIFS DE RÉPARATION ET DE REMPLACEMENT DÉCRITS DANS LES PRÉSENTES EST UNE CONDITION DU CONTRAT D'ACHAT DE TOUT PRODUIT MILWAUKEE. SI VOUS N'ACCEPTEZ PAS CETTE CONDITION, VOUS NE DEVEZ PAS ACHETER LE PRODUIT. EN AUCUN CAS, MILWAUKEE NE SAURAIT ÊTRE RESPONSABLE DE TOUT DOMMAGE ACCESSOIRE, SPÉCIAL OU INDIRECT, DE DOMMAGES-INTÉRÊTS PUNITIFS OU DE TOUTE DÉPENSE, D'HONORAIRES D'AVOCAT, DE FRAIS, DE PERTE OU DE DÉLAIS ACCESSOIRES À TOUT DOMMAGE, DÉFAILLANCE OU DÉFAUT DE TOUT PRODUIT, Y COMPRIS NOTAMMENT LES PERTES DE PROFIT. CERTAINS ÉTATS ET PROVINCES NE PERMETTENT L'EXCLUSION OU LA LIMITATION DES DOMMAGES DIRECTS OU INDIRECTS. LES RESTRICTIONS CI-DESSUS PEUVENT NE PAS VOUS ÊTRE APPLICABLES. CETTE GARANTIE EST EXCLUSIVE ET REMPLACE TOUTE AUTRE GARANTIE EXPRIMÉE OU ÉCRITE SOIT VERBALE OU ÉCRITE, DANS LA MESURE PERMISE PAR LA LOI. MILWAUKEE RENONCE À TOUTE GARANTIE IMPLICITE, Y COMPRIS, MAIS SANS S'Y LIMITER, TOUTE GARANTIE IMPLICITE

DE QUALITÉ MARCHANDE, OU D'ADAPTATION À UNE UTILISATION OU À UNE FIN PARTICULIÈRE. DANS LA MESURE OU UNE TELLE STIPULATION D'EXONÉRATION N'EST PAS PERMISE PAR LA LOI, LA DURÉE DE CES GARANTIES IMPLICITES EST LIMITÉE À LA PÉRIODE APPLICABLE DE LA GARANTIE EXPRESSE, TEL QUE CELA EST DÉCRIT PRÉCÉDEMMENT. CERTAINS ÉTATS ET PROVINCES NE PERMETTANT PAS DE LIMITATION DE DURÉE DES GARANTIES IMPLICITES, LES RESTRICTIONS CI-DESSUS PEUVENT DONC NE PAS VOUS ÊTRE APPLICABLES. LA PRÉSENTE VOUS CONFÈRE DES DROITS LÉGAUX PARTICULIERS, VOUS BÉNÉFICIEZ ÉGALEMENT D'AUTRES DROITS QUI VARIENT D'UN ÉTAT À UN AUTRE. Cette garantie s'applique aux produits vendus aux États-Unis et au Canada uniquement.

Veuillez consulter la rubrique Centre SAV Milwaukee, dans la section Pièces et Services du site Web de MILWAUKEE, à l'adresse www.milwaukeeool.com, ou composer le 1-800-SAWDUST (1-800-729-3878) afin de trouver le centre de service de votre région le plus proche pour l'entretien, sous garantie ou non, de votre outil électrique Milwaukee.

REGLAS ESPECIFICAS DETECTEUR DE LIGNE DE LASER

- **Esté alerta a resultados erróneos si la herramienta está defectuosa o si cayó al suelo, se utilizó incorrectamente o se modificó.**
- **¡No deseché la herramienta ni las baterías junto con material de agua doméstica!** Los aparatos y las baterías que hayan llegado al final de su vida deben recolectarse por separado y devolverse a un centro de reciclado ambientalmente compatible.
- **Asegúrese de que los imanes de la herramienta estén montados fijamente a una superficie de metal. La fuerza del imán puede no sostenerse en superficies metálicas delgadas, provocando que se caiga la herramienta.**
- **Conserve las etiquetas y las placas nominales.** Contienen información importante. Si son ilegibles o no están presentes, comuníquese con un centro de servicio MILWAUKEE para obtener un reemplazo gratuito.
- **El dispositivo cumple con los requisitos más exigentes de las normas y reglamentos relevantes de compatibilidad electromagnética (EMC).** Sin embargo, no puede excluirse por completo la posibilidad de que se ocasione interferencia en otros dispositivos.
- **ADVERTENCIA** El uso de controles o ajustes, o el desempeño de los procedimientos que no sean los que se especifican aquí puede provocar una exposición peligrosa a la radiación.
- **Asegúrese de apagar el instrumento después de utilizarlo.** Cuando no se utilice el instrumento por un período largo, almacénelo después de retirar las baterías.

FCC Comisión Federal de Comunicaciones

- **ADVERTENCIA** Los cambios o modificaciones realizadas a esta unidad que no sean expresamente aprobados por la parte responsable del cumplimiento podrían anular la autoridad del usuario para operar el equipo. Este equipo ha sido probado y se ha encontrado que cumple con los límites de un dispositivo digital de Clase B, en cumplimiento con la parte 15 de las reglas de la FCC. Estos límites están diseñados para proporcionar protección razonable contra la interferencia nociva en una instalación residencial. Este equipo genera, usa y puede irradiar energía de radiofrecuencia y, si no se instala y se utiliza de acuerdo con las instrucciones, puede ocasionar interferencia nociva con las comunicaciones por radio. Sin embargo, no existe garantía de que no ocurrirá interferencia en una instalación en particular. Si este equipo ocasiona interferencia nociva con la recepción de radio o televisión que pueda determinarse encendiendo y apagando el equipo, se anima al usuario a intentar corregir la interferencia mediante una o más de las siguientes medidas:
- Reorientar o reubicar la antena receptora.
- Aumentar la distancia entre el equipo y el receptor.
- Consulte al distribuidor o a un técnico experimentado de radio/TV para solicitar ayuda.

ADVERTENCIAS DE SEGURIDAD GENERALES PARA LA HERRAMIENTA ELÉCTRICA

- **ADVERTENCIA** Lea y comprenda todas las instrucciones. No seguir todas las instrucciones que se enumeran a continuación podría provocar una descarga eléctrica, incendio o lesiones graves. **Guarde todas las advertencias e instrucciones para futura consulta.**
- **Guarde estas instrucciones:** este manual del operador contiene instrucciones importantes de seguridad y operación.

SEGURIDAD EN EL ÁREA DE TRABAJO

- **Asegúrese de que haya protecciones adecuadas en el sitio de trabajo (por ej., revisión del sitio al realizar mediciones en carreteras, obras de construcción, etc.).**
- **Evite los entornos peligrosos.** Evite la exposición prolongada en la lluvia, nieve o lugares húmedos o mojados. No se use en presencia de atmósferas explosivas (vapores gaseosos, polvo o materiales inflamables).

SEGURIDAD PERSONAL

- **No permita que operen esta herramienta personas que no estén familiarizadas con el aparato, estas instrucciones de seguridad y el manual del operador de la herramienta.** Este aparato puede ser peligroso en manos de usuarios sin capacitación.
- **No estire el cuerpo demasiado. Mantenga una posición segura y equilibrada adecuada en todo momento.** Esto permite un mejor control del aparato en situaciones inesperadas.

USO Y CUIDADO DE LAS HERRAMIENTAS CON BATERÍA

- **Esta herramienta está diseñada para funcionar con 2 baterías AA insertadas correctamente en la herramienta.** No intente utilizarla con otro voltaje o fuente de alimentación.
- **No deje las baterías al alcance de los niños.**
- **No mezcle baterías nuevas y usadas. No mezcle marcas (o diferentes tipos de las mismas marcas) de baterías.**
- **No mezcle baterías recargables y no recargables.**
- **Instale la batería de acuerdo con los diagramas de polaridad (+/-).**
- **De inmediato, deseché correctamente las baterías usadas.**
- **No incinere ni desmantele las baterías.**
- **Bajo condiciones de maltrato, el líquido puede ser expulsado de la batería, evite el contacto. Si ocurre un contacto accidental, enjuague con agua. Si el líquido entra a los ojos, busque también ayuda médica.** El líquido expulsado de la batería puede causar irritación o quemaduras.

SIMBOLOGÍA



Volts



Corriente continua



Imanes



Lea el manual del operador

DESCRIPCION FUNCIONAL

- | | |
|--|-----------------------------------|
| 1. Altavoz | 9. Imanes |
| 2. Indicadores LED del localizador del láser | 10. Puerta de la batería |
| 3. Sensor | 11. Hilo de conexión de sujetador |
| 4. Línea central | 12. Perilla de sujeción |
| 5. Botón de modo de precisión | 13. Mordazas de sujeción |
| 6. Botón de volumen | 14. Perilla de fijación |
| 7. Botón de encendido | |
| 8. Pantalla | |

2. Inserte dos baterías AA de acuerdo con la polaridad +/- que esté marcada en el compartimento.
3. Instale firmemente la puerta del compartimento de batería.

Indicador de carga

Para determinar la cantidad de carga que queda en la batería, ENCIENDA la herramienta. La carga aparecerá en la pantalla: Aviso de carga completa, 3/4, 1/2 y batería baja.



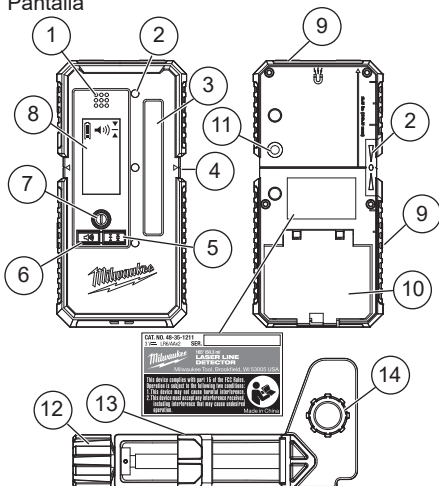
*La vida útil de la batería será distinta según la marca/antigüedad. Cambie las baterías tan pronto como sea posible.

OPERACION

⚠ ADVERTENCIA Para reducir el riesgo de lesiones o efectos temporales en la visión, no mire directamente hacia el láser mientras está encendido.

⚠ PRECAUCIÓN El uso de los controles, los ajustes o la efectividad de los procedimientos distintos a los que se mencionan en este manual podría ocasionar la exposición a radiación peligrosa.

⚠ AVISO Realice el procedimiento de verificación de precisión en campo inmediatamente después de sacar cada nuevo detector de nivel de láser de su caja y antes de exponerlo a las condiciones de la obra. Consulte la sección "Verificación de precisión en campo" para más información.



ESPECIFICACIONES

Cat. No.	48-35-1211
Voltaje.....	3 V (2xAA) LR6
Ángulo de recepción.....	$\pm 40^\circ$
Medición de precisión fina.....	$\pm 0,76$ mm (0,03") à 10 m (33")
Medición de precisión de curso.....	± 1 mm (0,04") à 10 m (33")
Compatibilidad de longitud de onda ..	510 a 530 nm
Temperatura de almacenamiento	-20°C a 60°C (-4°F a 140°F)
Rango de trabajo.....	4,6 m (15') hasta 50 m (165') (según la fuente del láser)
Área de recepción	76,2 mm (3")
Índice de protección	IP54
Indicación central (desde la parte superior).....	63,5 mm (2-1/2")
Apagado automático.....	15 m
Sin presión de botón.....	3h
Température de fonctionnement.....	-10°C a 40°C (14°F a 104°F)

ENSAMBLADO

Cambio de batería

Use solamente baterías alcalinas. No utilice baterías de zinc-carbón. Si no se usará el láser durante mucho tiempo, retire las baterías como medida de protección contra la corrosión.

Cambie las baterías cuando el indicador de batería empiece a parpadear. Para cambiar las baterías:

1. Levante el pestillo para abrir la puerta del compartimento de las baterías.

Encendido/apagado

Para encender el detector de láser, presione el botón de encendido ① hasta que la unidad emita un BIP y los ICONOS y las luces LED PARPADEARÁN.

Para apagar el detector del láser, mantenga presionado el botón de encendido ① durante, al menos, 2 segundos. La unidad se apagará automáticamente después de 15 minutos si no se presiona NINGÚN botón y si no se detecta NINGÚN láser, al cabo de 3 horas si no se detecta NINGÚN láser y si no se presiona NINGÚN botón.

Uso del detector del láser

1. Presione el botón de encendido ① para ENCENDER o APAGAR la luz de fondo.
2. Presione el botón de volumen (◀▶) para pasar entre las distintas opciones de volumen:
 - ▶▶) Volumen alto (predeterminado)
 - ▶) Volumen bajo
 - ◀) Mudo/silenciado
3. Presione el botón de modo de precisión para pasar entre las distintas opciones de precisión:

- ▼) Fino (predeterminado)
- ▲) Áspero

4. Sostenga el detector de tal manera que el sensor se encuentre de frente a la fuente del láser. Para mejores resultados, asegúrese de que el detector esté nivelado o en aplomo en el suelo y el sensor se encuentre en perpendicular a la fuente de iluminación.

5. Mueva lentamente el detector hacia arriba y hacia abajo, a la derecha y a la izquierda en el área general del haz del láser proyectado.

6. Cuando se detecte el haz, utilice la pantalla o la indicación del LED para alinear la línea central del detector con el haz del láser*.

*Utilícelo con los niveles del láser MILWAUKEE para mejores resultados.

Sujetador

Para usar el sujetador, alinee los postes de localización con la parte posterior del detector.

Apriete la perilla de fijación hasta que esté apretada. Utilice la perilla de sujeción para abrir/cerrar las perillas y fijar la varilla de grado de 2x4 o similar.

Pantalla de ubicación de láser e indicador sonoro

Aparecerá una flecha para indicar la dirección hacia la que el usuario debe mover el detector para alinear la línea central con el haz del láser a detectar.

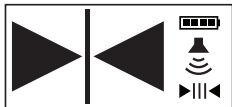
Según la dirección, el altavoz emitirá un "bip" ya sea a 10 Hz (rápido) o a 4 Hz (lento) para indicar hacia dónde debe moverse el detector.

• Se mostrará una línea constante cuando la línea central del detector esté alineada con el haz del láser a detectar. El altavoz emitirá un tono constante y parpadeará la luz LED verde.

• Cuando el haz del láser a detectar se encuentre a la izquierda de la línea central del detector, aparecerá una flecha que indique hacia la izquierda. El altavoz emitirá un tono rápido a una velocidad de 10 Hz y parpadeará la luz LED roja.

• Cuando el haz del láser a detectar se encuentre a la derecha de la línea central del detector, aparecerá una flecha que indique hacia la derecha. El altavoz emitirá un tono lento a una velocidad de 4 Hz y parpadeará la luz LED azul.

• Las luces LED laterales mostrarán el mismo color y el mismo sonido.



Resolución de problemas

Si la herramienta no enciende:

• Asegúrese de haber insertado correctamente las baterías según la polaridad +/- que está marcada en el compartimiento.

• Cambie las baterías que es posible que estén por acabarse.

• Asegúrese de que la temperatura interna de la herramienta se encuentre dentro de los rangos de funcionamiento especificados. Si se almacena en lugares donde impera el calor o el frío excesivos, deje que pasen, cuando menos, 2 horas para que la herramienta se aclimate a la temperatura ambiente antes de encenderla.

Si persiste el problema, comuníquese con un centro de servicio MILWAUKEE para recibir ayuda.

VERIFICACIÓN DE PRECISIÓN EN CAMPO

AVISO Realice el procedimiento de verificación de precisión en campo inmediatamente después de sacar cada nuevo detector de nivel de láser de su caja y antes de exponerlo a las condiciones de la obra. Consulte la sección "Verificación de precisión en campo" para más información. En caso de que encuentre alguna desviación en la precisión mencionada para el pro-

ducto, comuníquese con un centro de servicio MILWAUKEE. El no hacerlo puede ocasionar el rechazo en la aceptación de la garantía.

Influencias en la precisión

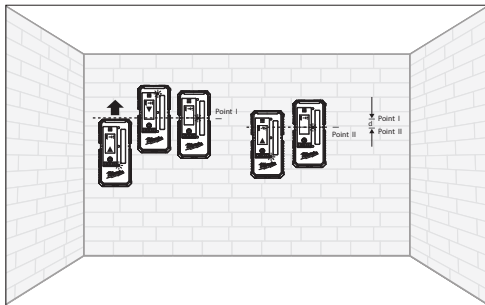
La luz solar y otras condiciones de iluminación extrema pueden tener un efecto adverso en la precisión. Para conseguir los mejores resultados, utilice este producto en interiores o evite el contacto directo con la luz solar.

El uso abusivo del detector de nivel de láser, como es el caso de golpes excesivos a raíz de una caída, puede ocasionar desviaciones en la precisión del producto. Por consiguiente, se recomienda realizar el procedimiento de verificación en campo después de todo impacto o antes de realizar alguna tarea crítica.

Para mejores resultados use este producto en conjunto con los láseres MILWAUKEE.

Precisión de nivelación horizontal

1. Coloque el láser compatible a 10 m (33') de un muro plano. Encienda el haz horizontal del láser.
2. Asegúrese de que la fuente del láser esté autonivelada y se encuentre en perpendicular al muro.
3. Coloque el detector plano sobre el muro que está directamente en frente del a fuente del láser y ligeramente por debajo de la línea del láser proyectada.
4. Manteniendo la parte baja del detector en paralelo en relación con el suelo, eleve el detector hasta que aparezca la flecha.
5. Baje el detector hasta que aparezca la línea central.
6. Marque una línea en el muro, el Punto I.
7. Siga bajando el detector hasta que aparezca la flecha hacia arriba.
8. Suba el detector hasta que aparezca la línea central.
9. Marque una línea en el muro, el Punto II.
10. Mida la distancia entre el Punto I y el Punto II, y divídala entre 2.



MANTENIMIENTO

⚠ ADVERTENCIA Para reducir el riesgo de lesiones, siempre retire la batería antes de realizar labores de mantenimiento. Nunca desarme la herramienta.

Mantenimiento del detector del láser

Dé mantenimiento a las herramientas. Si se dañan, asegúrese de que la herramienta sea reparada antes de utilizarse. La falta de mantenimiento de las herramientas puede ocasionar accidentes.

⚠ ADVERTENCIA Para reducir el riesgo de lesiones personales y daños materiales, nunca sumerja su herramienta en líquido ni permita que un líquido fluya hacia su interior.

Limpieza

Mantenga la carcasa de la herramienta limpia, seca y libre de grasa y aceite. Use solamente jabón suave y un paño húmedo para limpiar, puesto que ciertos agentes de limpieza y solventes son dañinos para los plásticos y otras piezas aisladas. Algunos de estos incluyen la gasolina, trementina, adelgazador de barniz, adelgazador de pintura, solventes de limpieza con cloro, amoníaco y detergentes caseros que contienen amoníaco. Nunca use solventes inflamables o combustibles alrededor de las herramientas.

Limpieza de la ventanilla del sensor

Utilice aire comprimido para limpiar las partículas sueltas. Limpie cuidadosamente la superficie con un hisopo de algodón humedecido en agua.

Reparaciones

Esta herramienta cuenta con piezas con reparaciones limitadas. No abra la carcasa ni desarme la herramienta. Para reparaciones, regrese la herramienta, la batería y el cargador al centro de servicio autorizado más cercano.

ACCESORIOS

ADVERTENCIA Utilice sólo los accesorios específicamente recomendados. Otros accesorios puede ser peligroso.

Para una lista completa de accesorios, visite nuestro sitio en Internet: www.milwaukeetool.com o póngase en contacto con un distribuidor.

SOPORTE DE SERVICIO - MEXICO

CENTRO DE ATENCION A CLIENTES
Techtronic Industries Mexico, S.A. de C.V.

Av. Presidente Masarik 29 Piso 7
11560 Polanco V Seccion

Miguel Hidalgo, Distrito Federal, México
01 (800) 030-7777 o (55) 4160-3540

Lunes a Viernes (9am a 6pm)

O contáctanos en www.milwaukeetool.com.mx

GARANTÍA LIMITADA - E.U.A. Y CANADÁ

Cada herramienta eléctrica* de MILWAUKEE (ver excepciones a continuación) está garantizada para el comprador original únicamente de que no tenga material y mano de obra defectuosos. Sujeto a ciertas excepciones, MILWAUKEE reparará o reemplazará cualquier parte en una herramienta eléctrica que tenga defectos de material o mano de obra según lo determine MILWAUKEE mediante una revisión, por un periodo de cinco (5) años** después de la fecha de compra a menos que se indique lo contrario. Al devolver la herramienta eléctrica a un Centro de Servicio de la fábrica de MILWAUKEE o a una Estación de Servicio Autorizada de MILWAUKEE, se requiere que el flete esté pagado por adelantado y asegurado. Se debe incluir una copia del comprobante de compra con el producto devuelto. Esta garantía no aplica a daños que MILWAUKEE determine que son ocasionados por reparaciones o intentos de reparaciones realizados por una persona que no sea personal autorizado de MILWAUKEE, uso indebido, alteraciones, maltrato, desgaste normal, falta de mantenimiento o accidentes. Desgaste normal: Muchas herramientas eléctricas necesitan un reemplazo periódico de partes y servicio para lograr el mejor desempeño. Esta garantía no cubre la reparación cuando el uso normal ha agotado la vida de una parte, incluyendo sin limitar a mandriles, cepillos, cables, zapatas de la sierra, abrazaderas de la hoja, anillos en O, sellos, protectores, hojas de desatornilladores, pistones, herrajes, levantadores y arandelas de cubierta de los protectores.

*Esta garantía no cubre clavadoras y grapadoras neumáticas, pistola de pintura a presión, baterías inalámbricas, generadores de energía portátil de gasolina, herramientas de mano, palanca y cadena de mano de polipasto -eléctricos, indumentaria calefata M12™, producto reacondicionado y productos de prueba y medición. Existen garantías por separado y distintas disponibles para estos productos.

**El periodo de garantía para los radios para obra, puerto de energía M12™, fuente de poder M18™, ventiladores para obra y carretillas de trabajo industrial Trade Titan™ es de un (1) año a partir de la fecha de compra. El periodo de garantía para los M18 FUEL™ 1" llaves de impacto de alto torque con d en empuñadura, cables de limpieza de drenaje y AIRSNAKE™ los accesorios de pistola de aire de limpieza de drenaje, y los niveles láser mediante USB REDLITHIUM® es de dos (2) años a partir de la fecha de compra. El periodo de garantía de la pistola de calor compacta M18™, Extractor de polvo de 8 galones, M18™ enmarcar clavadoras, M18 FUEL™ 1/2" yunque prolongado torque controlado llave de impacto con ONE-KEY™, M18 FUEL™ 1" llave de impacto de alto esfuerzo de torsión con ONE-KEY™, M18 FUEL™ de 7.6 galones compresor silencioso los niveles láser M12™, detector láser de 19.8 m, y clavadora M12™ 23GA es de tres (3) años a partir de la fecha de compra. El periodo de

garantía de las lámparas de LED en la Lámpara de trabajo LED y el Bulbo mejorado de LAD para la Luz de trabajo es por la vida del producto sujeto a las limitaciones anteriores. Si durante el uso normal el LED o Bulbo de LED falla, la parte será reemplazada sin cargo.

No se requiere el registro de la garantía para obtener la garantía correspondiente a un producto de herramienta eléctrica de MILWAUKEE. La fecha de manufactura del producto se utilizará para determinar el periodo de garantía si no se proporciona comprobante de compra al solicitar el servicio en garantía.

LA ACEPTACIÓN DE LOS REMEDIOS EXCLUSIVOS DE REPARACIÓN Y REEMPLAZO AQUÍ DESCRITOS ES UNA CONDICIÓN DEL CONTRATO PARA LA COMPRA DE TODO PRODUCTO DE MILWAUKEE, SI USTED NO ACEPTA ESTA CONDICIÓN, NO DEBE COMPRAR EL PRODUCTO. MILWAUKEE NO SERÁ RESPONSABLE EN NINGUN CASO DE DAÑOS INCIDENTALES ESPECIALES, EMERGENTES O PUNITIVOS NI DE NINGUN COSTO, HONORARIOS LEGALES, GASTOS, PERDIDAS O DEMORAS ALEGADAS COMO CONSECUENCIA DE ALGUN DAÑO, FALLA O DEFECTO EN NINGUN PRODUCTO, INCLUYENDO, ENTRE OTROS, RECLAMACIONES POR PÉRDIDA DE UTILIDADES, ALGUNOS ESTADOS NO PERMITEN LA EXCLUSIÓN O LIMITACIÓN DE RESPONSABILIDAD POR DAÑOS INCIDENTALES O EMERGENTES, POR LO QUE LA ANTERIOR LIMITACIÓN O EXCLUSIÓN PODRÍA NO APLICARSE EN ALGUNOS ESTADOS. ESTAS GARANTÍAS SON EXCLUSIVAS Y REEMPLAZAN TODAS LAS DEMÁS GARANTÍAS EXPRESAS, ESCRITAS U ORALES. EN LA MEDIDA EN QUE LO PERMITA LA LEY, MILWAUKEE DESCONOCE CUALQUIER GARANTÍA IMPLÍCITA, INCLUYENDO SIN LIMITACIÓN CUALQUIER GARANTÍA IMPLÍCITA DE COMERCIABILIDAD O IDONEIDAD PARA UN FIN O USO ESPECÍFICO; EN LA MEDIDA EN QUE DICHO DESCONOCIMIENTO NO SEA PERMITIDO POR LA LEY, DICHAS GARANTÍAS IMPLÍCITAS SE LIMITAN A LA DURACIÓN DE LA GARANTÍA EXPRESA CORRESPONDIENTE SEGÚN SE DESCRIBIO ANTERIORMENTE. ALGUNOS ESTADOS NO PERMITEN LIMITACIONES SOBRE LA DURACIÓN DE UNA GARANTÍA IMPLÍCITA, POR LO QUE LA ANTERIOR LIMITACIÓN PODRÍA NO APLICARSE A USTED. ESTA GARANTÍA LE DA DERECHOS LEGALES ESPECÍFICOS Y USTED PODRÍA ADEMÁS TENER OTROS DERECHOS QUE VARIAN DE UN ESTADO A OTRO.

Esta garantía aplica al producto vendido en los Estados Unidos y Canadá únicamente.

Consulte la "Búsqueda de centro de servicio" en la sección de Partes y servicio del sitio web.de MILWAUKEE en www.milwaukeetool.com o llame al 1.800.SAWDUST (1.800.729.3878) para localizar su centro de servicio más cercano para darle servicio con y sin garantía a una herramienta eléctrica de Milwaukee.

PÓLIZA DE GARANTÍA - VALIDA SOLO PARA MEXICO, AMERICA CENTRAL Y EL CARIBE

La garantía de TECHTRONIC INDUSTRIES es por 5 años a partir de la fecha original de compra.

Esta tarjeta de garantía cubre cualquier defecto de material y mano de obra en ese Producto.

Para hacer válida esta garantía, presente esta tarjeta de garantía, cerrada/ sellada por el distribuidor o la tienda donde compró el producto, al Centro de Servicio Autorizado (ASC). O, si esta tarjeta no se ha cerrado/sellado, presente la prueba original de compra a ASC. Llame 55 4160-3547 para encontrar el ASC más cercano, para servicio, partes, accesorios o componentes.

Procedimiento para hacer válida esta garantía

Lleve el producto a ASC, junto con la tarjeta de garantía cerrada/sellada por el distribuidor o la tienda donde compró el producto, y cualquier pieza o componente defectuoso se reemplazará sin costo para usted. Cubriremos todos los costos de flete con relación a este proceso de garantía

Excepciones

Esta garantía no tendrá validez en las siguientes situaciones:

- Cuando el producto se use de manera distinta a la que indica el manual del usuario final o de instrucciones.
- Cuando las condiciones de uso no sean normales.
- Cuando otras personas no autorizadas por TECHTRONIC INDUSTRIES modifiquen o reparen el producto.

Nota: si el juego de cables está dañado, tiene que reemplazarse en un Centro de Servicio Autorizado para evitar riesgos eléctricos.

CENTRO DE SERVICIO Y ATENCIÓN

Llame al 55 4160-3547

IMPORTADO Y COMERCIALIZADO POR

TECHTRONIC INDUSTRIES, MEXICO, S.A. DE C.V.

Miguel de Cervantes Saavedra No.301 Piso 5, Torre Norte

11520 Colonia Ampliación Granada

Miguel Hidalgo, Ciudad de Mexico, Mexico

Modelo: _____

Fecha de Compra: _____

Sello del Distribuidor: _____

MILWAUKEE TOOL
13135 West Lisbon Road
Brookfield, WI 53005 USA

58140175d2
02/21

0065840175Q0-02(A)
Printed in China