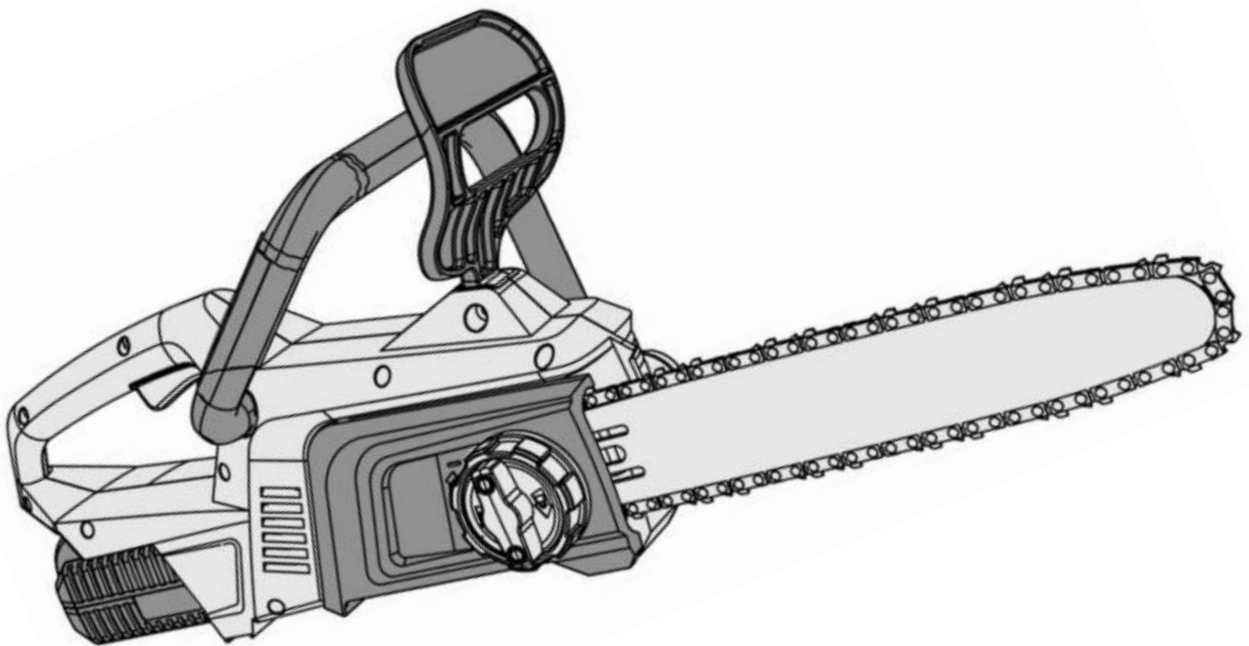




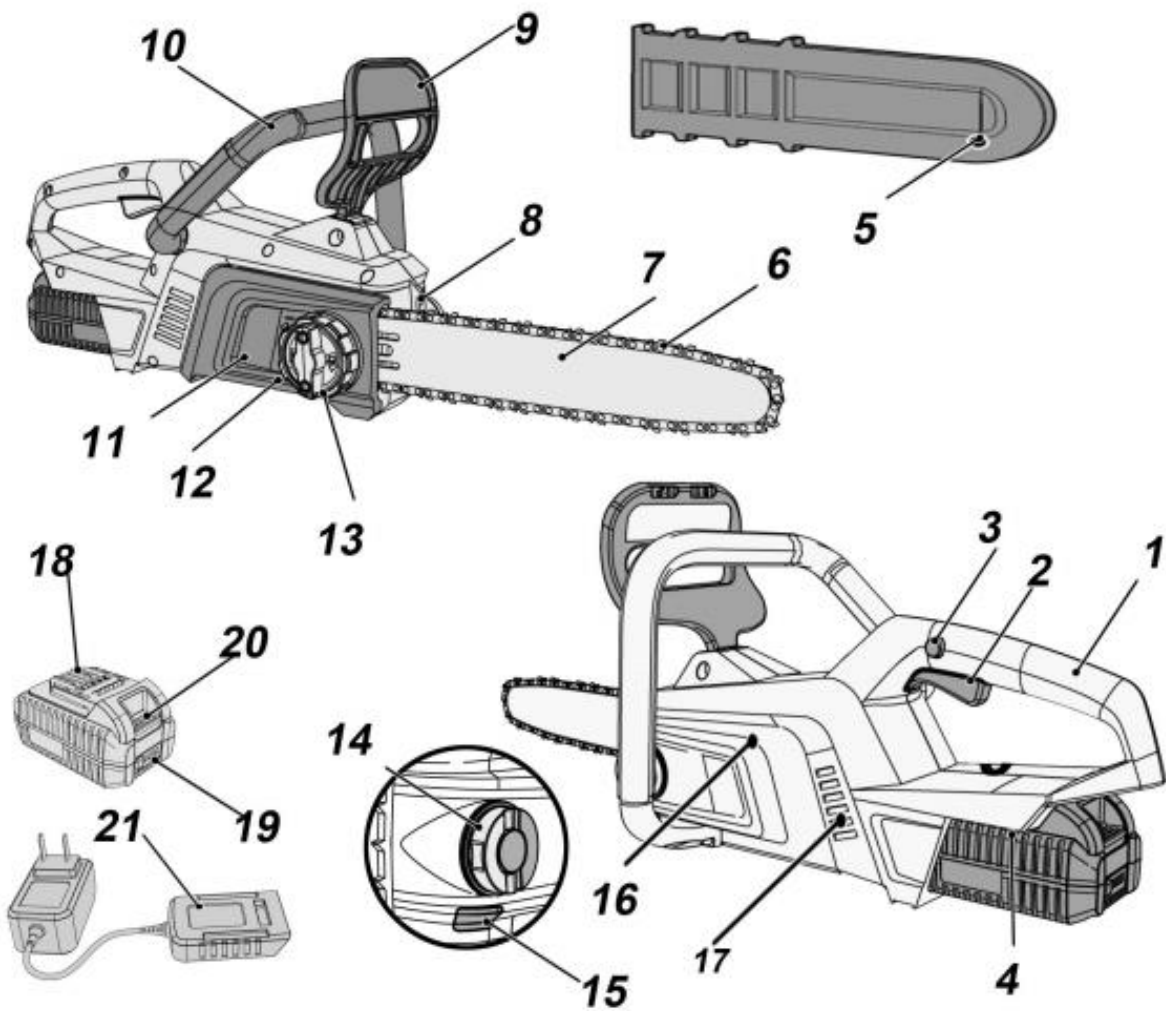
---

**40V LITHIUM-ION CORDLESS CHAINSAW**

Model: EB212D



**Parts List**



- 1. Rear handle
- 2. On/Off button
- 3. Switch interlock
- 4. Insertions slot for battery
- 5. Protection hood
- 6. Chain hood
- 7. Chain guide bar
- 8. Spiked bumper
- 9. Hand guard/chain brake
- 10. Handlebar
- 11. Chain tensioning wheel

- 12. Chain cover
- 13. Handwheel
- 14. Oil tank cap
- 15. Oil tank with oil level indicator
- 16. Housing
- 17. Ventilation opening
- 18. Battery (EB20)
- 19. LED state of charge indicator
- 20. Battery release button
- 21. Battery charger (EBC05)