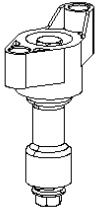
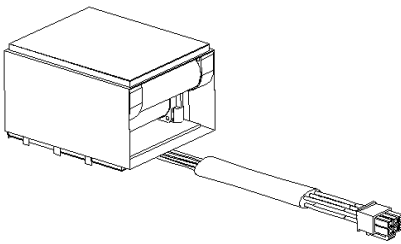
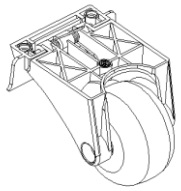
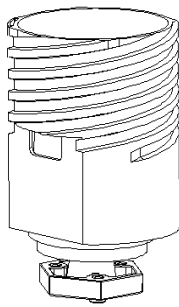
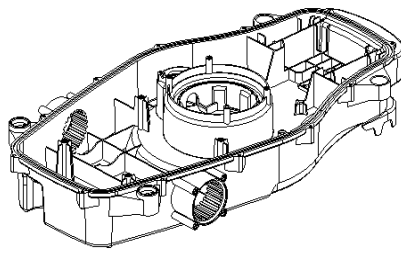
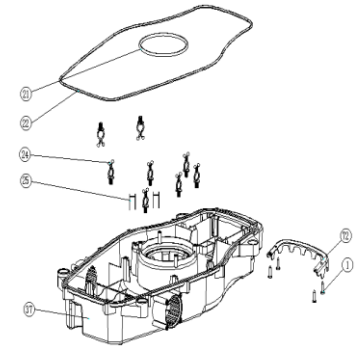
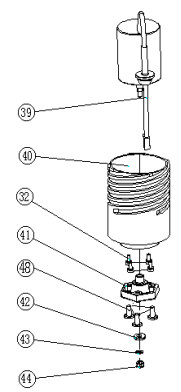
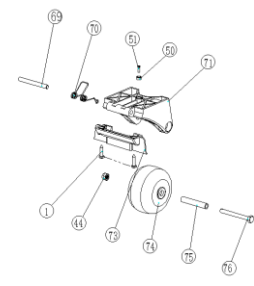
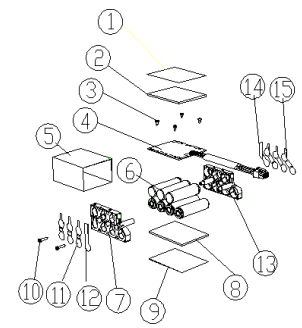
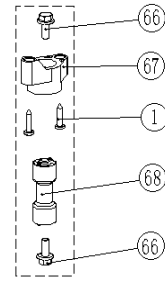
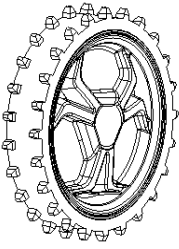
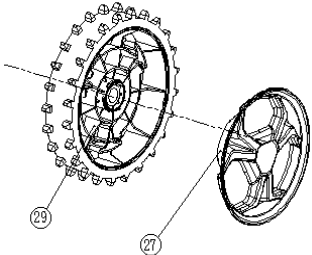
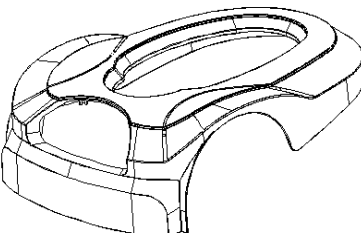
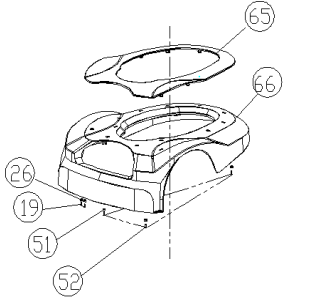
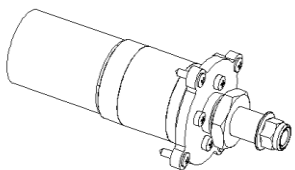
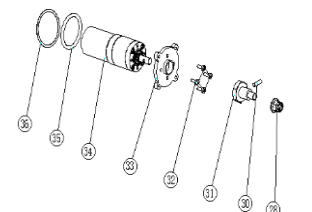
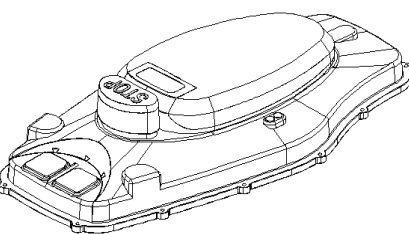
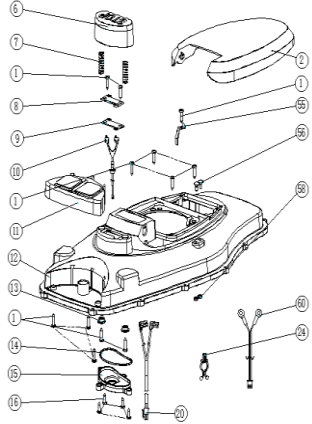
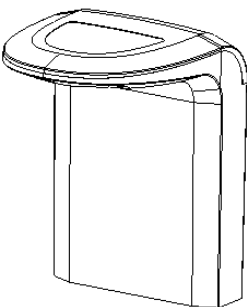
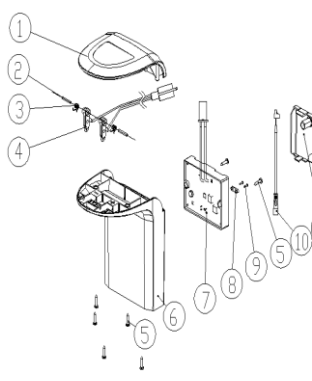
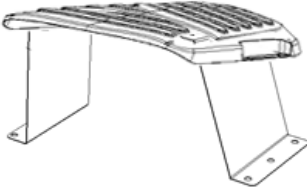
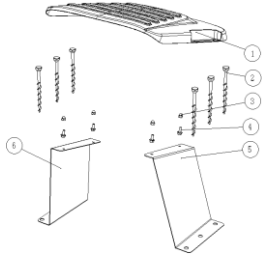

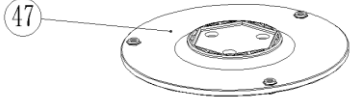
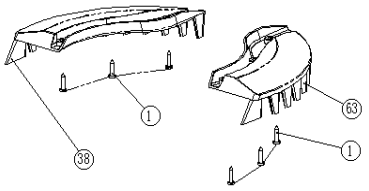
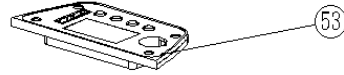
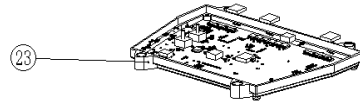
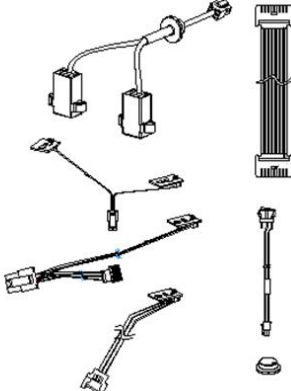
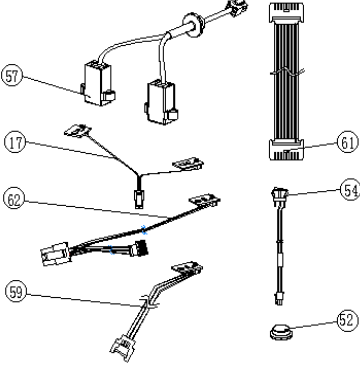
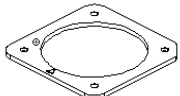



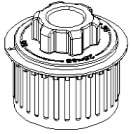
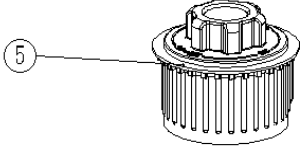
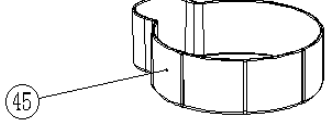
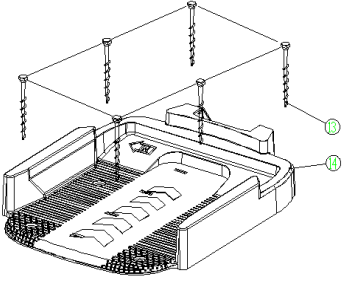
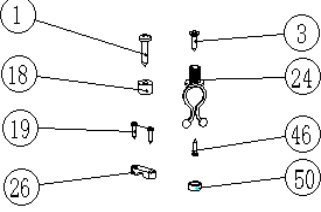
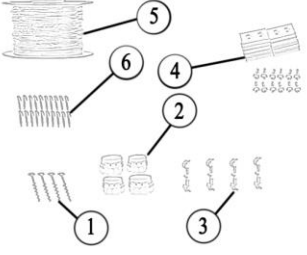
RM18 Service Assembly/Parts

RM18--01	Bumping Bracket Assembly	No.	Material Code	Description	Q-ty		
		1	60170670	Cross Recessed Pan Head Tapping Screw	8		
		66	60020730	Hexagon Head Flange Bolt	8		
		67	26340010	Bumping Bracket 1	4		
		68	26350060	Bumping Rubber Connector	4		
Sold as set only.							
		1	30011120	Tracing Paper-1	1		
		2	80010290	Double-side Adhesive Foam -1	1		
		3	60170650	Cross Recessed Pan Head Tapping Screw	4		
		4	30090630	Battery Pack PCB Assembly	1		
		5	80010280	Thermal Shrinkage - Blue	1		
		6	30050040	SDI Battery Cell	7		
		7	20140340	Bracket -2	1		
		8	80010300	Double-side Adhesive Foam -2	1		
		9	30011130	Tracing Paper-2	1		
		10	60480130	Special Tapping Screw	2		
		11	30011260	Nickle -2	3		
		12	30011280	Nickle -4	1		
		13	20140330	Bracket -1	1		
		14	30011270	Nickle -3	1		
		15	30011250	Nickle -1	3		
Sold as set only.							
		1	60170670	Cross Recessed Pan Head Tapping Screw	2		
		44	60150080	Self-locking Nut	1		
		50	71270070	Bumping Detection Magnet	1		
		51	60172000	Cross Recessed Countersunk Head Tapping Screws	1		
		69	70031130	Wheel Driving Shaft	1		
		70	70031120	Wheel Torsion Spring	1		
		71	20140300	Wheel Bracket	1		
		73	20490100	Mounting Sleeve	1		
		74	20880530	Wheel	1		
		75	70750030	Wheel Bush	1		
		76	60061480	Hexagon Head Flange Bolt	1		
		Sold as set only.					
				32	60020750	Assembly of Cross Recessed Pan Head Falling Resistant Screw, Spring Gasket, and Flast Washer	4
39	30071590			Cutting Motor	1		
40	26150010			Cutting Motor Barrel	1		
41	70030880			Cutting Driving Shaft	1		
42	60020570			Cutting Driving Shaft Ring	1		
43	60210140			Spring Spring	1		
44	60150080			Self-locking Nut	1		
48	60090270			Large Flat Round Head Hexagon Bolt	3		
Sold as set only.							
		1	60170670	Cross Recessed Pan Head Tapping Screw	4		
		21	20940330	Height Adjustment Ring	1		
		22	20940460	Principal Machine Sealing Strip	1		
		24	80010320	Thread Clamp	6		
		25	60410750	Noise Reduction Spring	2		
		37	20570310	Lower Cover	1		
		72	70250280	Rear Wheel Baffle	1		
Sold as set only.							



RM18--06 	Wheel Assembly	<table border="1"> <thead> <tr> <th>No.</th> <th>Material Code</th> <th>Description</th> <th>Q-ty</th> </tr> </thead> <tbody> <tr> <td>27</td> <td>26090010</td> <td>Wheel Cover</td> <td>2</td> </tr> <tr> <td>29</td> <td>20880500</td> <td>Wheel Assembly</td> <td>2</td> </tr> </tbody> </table>	No.	Material Code	Description	Q-ty	27	26090010	Wheel Cover	2	29	20880500	Wheel Assembly	2																																																																					
No.	Material Code	Description	Q-ty																																																																																
27	26090010	Wheel Cover	2																																																																																
29	20880500	Wheel Assembly	2																																																																																
Sold as set only.																																																																																			
RM18--07 	Outer Cover Assembly	<table border="1"> <thead> <tr> <th>No.</th> <th>Material Code</th> <th>Description</th> <th>Q-ty</th> </tr> </thead> <tbody> <tr> <td>19</td> <td>60020830</td> <td>Cross Recessed Pan Head Tapping Screw</td> <td>2</td> </tr> <tr> <td>26</td> <td>26350030</td> <td>Power Cord Pressplate</td> <td>1</td> </tr> <tr> <td>51</td> <td>71270070</td> <td>Bumping Detection Magnet</td> <td>3</td> </tr> <tr> <td>52</td> <td>60172000</td> <td>Cross Recessed Countersunk Head Tapping Screws</td> <td>3</td> </tr> <tr> <td>65</td> <td>20740220</td> <td>1# Housing Decoration Cover (Option)</td> <td>1</td> </tr> <tr> <td>66</td> <td>26310020</td> <td>1# Housing (Option)</td> <td>1</td> </tr> <tr> <td></td> <td>26310030</td> <td>2# Housing (Option)</td> <td>1</td> </tr> </tbody> </table>	No.	Material Code	Description	Q-ty	19	60020830	Cross Recessed Pan Head Tapping Screw	2	26	26350030	Power Cord Pressplate	1	51	71270070	Bumping Detection Magnet	3	52	60172000	Cross Recessed Countersunk Head Tapping Screws	3	65	20740220	1# Housing Decoration Cover (Option)	1	66	26310020	1# Housing (Option)	1		26310030	2# Housing (Option)	1																																																	
No.	Material Code	Description	Q-ty																																																																																
19	60020830	Cross Recessed Pan Head Tapping Screw	2																																																																																
26	26350030	Power Cord Pressplate	1																																																																																
51	71270070	Bumping Detection Magnet	3																																																																																
52	60172000	Cross Recessed Countersunk Head Tapping Screws	3																																																																																
65	20740220	1# Housing Decoration Cover (Option)	1																																																																																
66	26310020	1# Housing (Option)	1																																																																																
	26310030	2# Housing (Option)	1																																																																																
Sold as set only.																																																																																			
RM18--08 	Driving Motor Assembly	<table border="1"> <thead> <tr> <th>No.</th> <th>Material Code</th> <th>Description</th> <th>Q-ty</th> </tr> </thead> <tbody> <tr> <td>28</td> <td>60140060</td> <td>Hexagon Flange Lock Nut M10</td> <td>2</td> </tr> <tr> <td>30</td> <td>60250270</td> <td>Spring Pin</td> <td>2</td> </tr> <tr> <td>31</td> <td>70030860</td> <td>Driving Shaft</td> <td>2</td> </tr> <tr> <td>32</td> <td>60020750</td> <td>Assembly of Cross Recessed Pan Head Falling Resistant Screw, Spring Gasket, and Flast Washer</td> <td>8</td> </tr> <tr> <td>33</td> <td>26070010</td> <td>Driving Motor Bracket</td> <td>2</td> </tr> <tr> <td>34</td> <td>30071600</td> <td>Driving Motor</td> <td>2</td> </tr> <tr> <td>35</td> <td>20940360</td> <td>Driving Motor Sealing Gasket</td> <td>2</td> </tr> <tr> <td>36</td> <td>70040270</td> <td>Driving Motor Gasket</td> <td>2</td> </tr> </tbody> </table>	No.	Material Code	Description	Q-ty	28	60140060	Hexagon Flange Lock Nut M10	2	30	60250270	Spring Pin	2	31	70030860	Driving Shaft	2	32	60020750	Assembly of Cross Recessed Pan Head Falling Resistant Screw, Spring Gasket, and Flast Washer	8	33	26070010	Driving Motor Bracket	2	34	30071600	Driving Motor	2	35	20940360	Driving Motor Sealing Gasket	2	36	70040270	Driving Motor Gasket	2																																													
No.	Material Code	Description	Q-ty																																																																																
28	60140060	Hexagon Flange Lock Nut M10	2																																																																																
30	60250270	Spring Pin	2																																																																																
31	70030860	Driving Shaft	2																																																																																
32	60020750	Assembly of Cross Recessed Pan Head Falling Resistant Screw, Spring Gasket, and Flast Washer	8																																																																																
33	26070010	Driving Motor Bracket	2																																																																																
34	30071600	Driving Motor	2																																																																																
35	20940360	Driving Motor Sealing Gasket	2																																																																																
36	70040270	Driving Motor Gasket	2																																																																																
Sold as set only.																																																																																			
RM18--09 	Upper Cover Assembly	<table border="1"> <thead> <tr> <th>No.</th> <th>Material Code</th> <th>Description</th> <th>Q-ty</th> </tr> </thead> <tbody> <tr> <td>1</td> <td>60170670</td> <td>Cross Recessed Pan Head Tapping Screw</td> <td>12</td> </tr> <tr> <td>2</td> <td>25190290</td> <td>Transparent Cover</td> <td>1</td> </tr> <tr> <td>6</td> <td>26220020</td> <td>STOP Button</td> <td>1</td> </tr> <tr> <td>7</td> <td>60380400</td> <td>Resetting Spring</td> <td>2</td> </tr> <tr> <td>8</td> <td>20440190</td> <td>Switch Pressplate</td> <td>1</td> </tr> <tr> <td>9</td> <td>20940450</td> <td>Sealing Gasket</td> <td>1</td> </tr> <tr> <td>10</td> <td>30041360</td> <td>STOP Signal Wire</td> <td>1</td> </tr> <tr> <td>11</td> <td>26410030</td> <td>Wafer Assembly</td> <td>1</td> </tr> <tr> <td>12</td> <td>20650250</td> <td>Upper Cover</td> <td>1</td> </tr> <tr> <td>13</td> <td>20530210</td> <td>Button Stopper</td> <td>2</td> </tr> <tr> <td>14</td> <td>20940440</td> <td>STOP Button Sealing Ring</td> <td>1</td> </tr> <tr> <td>15</td> <td>20550070</td> <td>Sealing Cover Plate</td> <td>1</td> </tr> <tr> <td>16</td> <td>60020800</td> <td>Cross Recessed Pan Head Tapping Screw</td> <td>4</td> </tr> <tr> <td>20</td> <td>30041350</td> <td>Charging Line</td> <td>1</td> </tr> <tr> <td>24</td> <td>80010320</td> <td>Thread Clamp</td> <td>4</td> </tr> <tr> <td>55</td> <td>60020590</td> <td>Height Adjustment Locking Piece</td> <td>1</td> </tr> <tr> <td>56</td> <td>60020600</td> <td>Rain Detection Bolt</td> <td>2</td> </tr> <tr> <td>58</td> <td>60150030</td> <td>Hexagon</td> <td>2</td> </tr> <tr> <td>60</td> <td>30041410</td> <td>Rain Detection Signal Wire</td> <td>1</td> </tr> </tbody> </table>	No.	Material Code	Description	Q-ty	1	60170670	Cross Recessed Pan Head Tapping Screw	12	2	25190290	Transparent Cover	1	6	26220020	STOP Button	1	7	60380400	Resetting Spring	2	8	20440190	Switch Pressplate	1	9	20940450	Sealing Gasket	1	10	30041360	STOP Signal Wire	1	11	26410030	Wafer Assembly	1	12	20650250	Upper Cover	1	13	20530210	Button Stopper	2	14	20940440	STOP Button Sealing Ring	1	15	20550070	Sealing Cover Plate	1	16	60020800	Cross Recessed Pan Head Tapping Screw	4	20	30041350	Charging Line	1	24	80010320	Thread Clamp	4	55	60020590	Height Adjustment Locking Piece	1	56	60020600	Rain Detection Bolt	2	58	60150030	Hexagon	2	60	30041410	Rain Detection Signal Wire	1	
No.	Material Code	Description	Q-ty																																																																																
1	60170670	Cross Recessed Pan Head Tapping Screw	12																																																																																
2	25190290	Transparent Cover	1																																																																																
6	26220020	STOP Button	1																																																																																
7	60380400	Resetting Spring	2																																																																																
8	20440190	Switch Pressplate	1																																																																																
9	20940450	Sealing Gasket	1																																																																																
10	30041360	STOP Signal Wire	1																																																																																
11	26410030	Wafer Assembly	1																																																																																
12	20650250	Upper Cover	1																																																																																
13	20530210	Button Stopper	2																																																																																
14	20940440	STOP Button Sealing Ring	1																																																																																
15	20550070	Sealing Cover Plate	1																																																																																
16	60020800	Cross Recessed Pan Head Tapping Screw	4																																																																																
20	30041350	Charging Line	1																																																																																
24	80010320	Thread Clamp	4																																																																																
55	60020590	Height Adjustment Locking Piece	1																																																																																
56	60020600	Rain Detection Bolt	2																																																																																
58	60150030	Hexagon	2																																																																																
60	30041410	Rain Detection Signal Wire	1																																																																																
Sold as set only.																																																																																			
RM18--10 	Upper Cover Assembly of Charging Base	<table border="1"> <thead> <tr> <th>No.</th> <th>Material Code</th> <th>Description</th> <th>Q-ty</th> </tr> </thead> <tbody> <tr> <td>1</td> <td>26400020</td> <td>Upper Cover of Charging Base</td> <td>1</td> </tr> <tr> <td>2</td> <td>70031140</td> <td>Inserting Pin</td> <td>2</td> </tr> <tr> <td>3</td> <td>70031110</td> <td>Charging Inserting Torsion Tension</td> <td>2</td> </tr> <tr> <td>4</td> <td>30011380</td> <td>Charging Line Assembly</td> <td>1</td> </tr> <tr> <td>5</td> <td>60170670</td> <td>Cross Recessed Pan Head Tapping Screw</td> <td>7</td> </tr> <tr> <td>6</td> <td>26390020</td> <td>Charging Base Bracket</td> <td>1</td> </tr> <tr> <td>7</td> <td>30011330</td> <td>Charging Base PCB Assembly</td> <td>1</td> </tr> <tr> <td>8</td> <td>26350030</td> <td>Wire Pressplate</td> <td>1</td> </tr> <tr> <td>9</td> <td>60020830</td> <td>Cross Recessed Pan Head Tapping Screw</td> <td>2</td> </tr> <tr> <td>10</td> <td>30041430</td> <td>Power Line</td> <td>1</td> </tr> <tr> <td>11</td> <td>20420130</td> <td>Back Cover of Charging Base</td> <td>1</td> </tr> <tr> <td>12</td> <td>20800410</td> <td>Light Pipe</td> <td>1</td> </tr> </tbody> </table>	No.	Material Code	Description	Q-ty	1	26400020	Upper Cover of Charging Base	1	2	70031140	Inserting Pin	2	3	70031110	Charging Inserting Torsion Tension	2	4	30011380	Charging Line Assembly	1	5	60170670	Cross Recessed Pan Head Tapping Screw	7	6	26390020	Charging Base Bracket	1	7	30011330	Charging Base PCB Assembly	1	8	26350030	Wire Pressplate	1	9	60020830	Cross Recessed Pan Head Tapping Screw	2	10	30041430	Power Line	1	11	20420130	Back Cover of Charging Base	1	12	20800410	Light Pipe	1																													
No.	Material Code	Description	Q-ty																																																																																
1	26400020	Upper Cover of Charging Base	1																																																																																
2	70031140	Inserting Pin	2																																																																																
3	70031110	Charging Inserting Torsion Tension	2																																																																																
4	30011380	Charging Line Assembly	1																																																																																
5	60170670	Cross Recessed Pan Head Tapping Screw	7																																																																																
6	26390020	Charging Base Bracket	1																																																																																
7	30011330	Charging Base PCB Assembly	1																																																																																
8	26350030	Wire Pressplate	1																																																																																
9	60020830	Cross Recessed Pan Head Tapping Screw	2																																																																																
10	30041430	Power Line	1																																																																																
11	20420130	Back Cover of Charging Base	1																																																																																
12	20800410	Light Pipe	1																																																																																
Sold as set only.																																																																																			

RM18--11 	Canopy Assembly	<table border="1"> <thead> <tr> <th>No.</th> <th>Material Code</th> <th>Description</th> <th>Q-ty</th> </tr> </thead> <tbody> <tr> <td>1</td> <td>20940070</td> <td>Canopy Cover</td> <td>1</td> </tr> <tr> <td>2</td> <td>26440010</td> <td>Fixing Pegs</td> <td>6</td> </tr> <tr> <td>3</td> <td>60130020</td> <td>Cap Nut</td> <td>4</td> </tr> <tr> <td>4</td> <td>60020730</td> <td>Hexagon Bolts Serratedflange</td> <td>4</td> </tr> <tr> <td>5</td> <td>70080300</td> <td>Right Bracket for Fixing Canopy</td> <td>1</td> </tr> <tr> <td>6</td> <td>70080120</td> <td>Left Bracket for Fixing Canopy</td> <td>1</td> </tr> </tbody> </table>	No.	Material Code	Description	Q-ty	1	20940070	Canopy Cover	1	2	26440010	Fixing Pegs	6	3	60130020	Cap Nut	4	4	60020730	Hexagon Bolts Serratedflange	4	5	70080300	Right Bracket for Fixing Canopy	1	6	70080120	Left Bracket for Fixing Canopy	1	<table border="1"> <thead> <tr> <th>No.</th> <th>Material Code</th> <th>Description</th> <th>Q-ty</th> </tr> </thead> <tbody> <tr> <td colspan="4" style="text-align: center;">Sold as set only.</td> </tr> </tbody> </table>	No.	Material Code	Description	Q-ty	Sold as set only.								
No.	Material Code	Description	Q-ty																																									
1	20940070	Canopy Cover	1																																									
2	26440010	Fixing Pegs	6																																									
3	60130020	Cap Nut	4																																									
4	60020730	Hexagon Bolts Serratedflange	4																																									
5	70080300	Right Bracket for Fixing Canopy	1																																									
6	70080120	Left Bracket for Fixing Canopy	1																																									
No.	Material Code	Description	Q-ty																																									
Sold as set only.																																												
RM18--12 	Blade Disc Assembly	<table border="1"> <thead> <tr> <th>No.</th> <th>Material Code</th> <th>Description</th> <th>Q-ty</th> </tr> </thead> <tbody> <tr> <td>47</td> <td>26370020</td> <td>Blade Disc</td> <td>1</td> </tr> </tbody> </table>	No.	Material Code	Description	Q-ty	47	26370020	Blade Disc	1	<table border="1"> <thead> <tr> <th>No.</th> <th>Material Code</th> <th>Description</th> <th>Q-ty</th> </tr> </thead> <tbody> <tr> <td colspan="4" style="text-align: center;">Sold as set only.</td> </tr> </tbody> </table>	No.	Material Code	Description	Q-ty	Sold as set only.																												
No.	Material Code	Description	Q-ty																																									
47	26370020	Blade Disc	1																																									
No.	Material Code	Description	Q-ty																																									
Sold as set only.																																												
RM18--13	Comb Board Assembly	<table border="1"> <thead> <tr> <th>No.</th> <th>Material Code</th> <th>Description</th> <th>Q-ty</th> </tr> </thead> <tbody> <tr> <td>1</td> <td>60170670</td> <td>Cross Recessed Pan Head Tapping Screw</td> <td>6</td> </tr> <tr> <td>38</td> <td>20920790</td> <td>Right Protection Cover</td> <td>1</td> </tr> <tr> <td>63</td> <td>20920780</td> <td>Left Protection Cover</td> <td>1</td> </tr> </tbody> </table>	No.	Material Code	Description	Q-ty	1	60170670	Cross Recessed Pan Head Tapping Screw	6	38	20920790	Right Protection Cover	1	63	20920780	Left Protection Cover	1	<table border="1"> <thead> <tr> <th>No.</th> <th>Material Code</th> <th>Description</th> <th>Q-ty</th> </tr> </thead> <tbody> <tr> <td colspan="4" style="text-align: center;">Sold as set only.</td> </tr> </tbody> </table>	No.	Material Code	Description	Q-ty	Sold as set only.																				
No.	Material Code	Description	Q-ty																																									
1	60170670	Cross Recessed Pan Head Tapping Screw	6																																									
38	20920790	Right Protection Cover	1																																									
63	20920780	Left Protection Cover	1																																									
No.	Material Code	Description	Q-ty																																									
Sold as set only.																																												
RM18--14	Key Display Board Assembly	<table border="1"> <thead> <tr> <th>No.</th> <th>Material Code</th> <th>Description</th> <th>Q-ty</th> </tr> </thead> <tbody> <tr> <td>53</td> <td>30011350</td> <td>Key Display Board Assembly</td> <td>1</td> </tr> </tbody> </table>	No.	Material Code	Description	Q-ty	53	30011350	Key Display Board Assembly	1	<table border="1"> <thead> <tr> <th>No.</th> <th>Material Code</th> <th>Description</th> <th>Q-ty</th> </tr> </thead> <tbody> <tr> <td colspan="4" style="text-align: center;">Sold as set only.</td> </tr> </tbody> </table>	No.	Material Code	Description	Q-ty	Sold as set only.																												
No.	Material Code	Description	Q-ty																																									
53	30011350	Key Display Board Assembly	1																																									
No.	Material Code	Description	Q-ty																																									
Sold as set only.																																												
RM18--15	Main PCB Assembly	<table border="1"> <thead> <tr> <th>No.</th> <th>Material Code</th> <th>Description</th> <th>Q-ty</th> </tr> </thead> <tbody> <tr> <td>23</td> <td>30011320</td> <td>Main PCB Assembly</td> <td>1</td> </tr> </tbody> </table>	No.	Material Code	Description	Q-ty	23	30011320	Main PCB Assembly	1	<table border="1"> <thead> <tr> <th>No.</th> <th>Material Code</th> <th>Description</th> <th>Q-ty</th> </tr> </thead> <tbody> <tr> <td colspan="4" style="text-align: center;">Sold as set only.</td> </tr> </tbody> </table>	No.	Material Code	Description	Q-ty	Sold as set only.																												
No.	Material Code	Description	Q-ty																																									
23	30011320	Main PCB Assembly	1																																									
No.	Material Code	Description	Q-ty																																									
Sold as set only.																																												
RM18--16 	Harness Assembly	<table border="1"> <thead> <tr> <th>No.</th> <th>Material Code</th> <th>Description</th> <th>Q-ty</th> </tr> </thead> <tbody> <tr> <td>17</td> <td>30011360</td> <td>Bumping Detection PCB Assembly</td> <td>1</td> </tr> <tr> <td>52</td> <td>20800360</td> <td>Switch Tarpaulin</td> <td>1</td> </tr> <tr> <td>54</td> <td>30041340</td> <td>Main Switch Wire</td> <td>1</td> </tr> <tr> <td>57</td> <td>30011340</td> <td>Boundary Wire PCB Assembly</td> <td>1</td> </tr> <tr> <td>59</td> <td>30011390</td> <td>Side Bumping Detection PCB Assembly</td> <td>1</td> </tr> <tr> <td>61</td> <td>30041420</td> <td>Key Display Board Harness</td> <td>1</td> </tr> <tr> <td>62</td> <td>30011370</td> <td>Lifting Detection PCB Assembly</td> <td>1</td> </tr> </tbody> </table>	No.	Material Code	Description	Q-ty	17	30011360	Bumping Detection PCB Assembly	1	52	20800360	Switch Tarpaulin	1	54	30041340	Main Switch Wire	1	57	30011340	Boundary Wire PCB Assembly	1	59	30011390	Side Bumping Detection PCB Assembly	1	61	30041420	Key Display Board Harness	1	62	30011370	Lifting Detection PCB Assembly	1	<table border="1"> <thead> <tr> <th>No.</th> <th>Material Code</th> <th>Description</th> <th>Q-ty</th> </tr> </thead> <tbody> <tr> <td colspan="4" style="text-align: center;">Sold as set only.</td> </tr> </tbody> </table>	No.	Material Code	Description	Q-ty	Sold as set only.				
No.	Material Code	Description	Q-ty																																									
17	30011360	Bumping Detection PCB Assembly	1																																									
52	20800360	Switch Tarpaulin	1																																									
54	30041340	Main Switch Wire	1																																									
57	30011340	Boundary Wire PCB Assembly	1																																									
59	30011390	Side Bumping Detection PCB Assembly	1																																									
61	30041420	Key Display Board Harness	1																																									
62	30011370	Lifting Detection PCB Assembly	1																																									
No.	Material Code	Description	Q-ty																																									
Sold as set only.																																												
RM18--17 	Height Adjustment Pressplate	<table border="1"> <thead> <tr> <th>No.</th> <th>Material Code</th> <th>Description</th> <th>Q-ty</th> </tr> </thead> <tbody> <tr> <td>4</td> <td>26280020</td> <td>Height Adjustment Pressplate</td> <td>1</td> </tr> </tbody> </table>	No.	Material Code	Description	Q-ty	4	26280020	Height Adjustment Pressplate	1	<table border="1"> <thead> <tr> <th>No.</th> <th>Material Code</th> <th>Description</th> <th>Q-ty</th> </tr> </thead> <tbody> <tr> <td colspan="4" style="text-align: center;">Sold as set only.</td> </tr> </tbody> </table>	No.	Material Code	Description	Q-ty	Sold as set only.																												
No.	Material Code	Description	Q-ty																																									
4	26280020	Height Adjustment Pressplate	1																																									
No.	Material Code	Description	Q-ty																																									
Sold as set only.																																												

RM18--18 	Height Adjustment Handle	No. 5	Material Code 26270020	Description Height Adjustment Handle	Q-ty 1	
<i>Sold as set only.</i>						
RM18--19	Protection Cover	No. 45	Material Code 20920800	Description Protection Cover	Q-ty 1	
<i>Sold as set only.</i>						
RM18--20	Lower Base Assembly of Charging Base	No. 13 14	Material Code 26440010 26010020	Description Charging Base Fixing Peg Lower Base of Charging Base	Q-ty 6 1	
<i>Sold as set only.</i>						
RM18--21	Standard Parts 1	No. 1 3 18 19 24 26 46 50	Material Code 60170670 60171060 60020580 60020830 80010320 26350030 60020840 71270070	Description Cross Recessed Pan Head Tapping Screw Cross Recessed Countersunk Head Tapping Screw Bumping Detection Fixing Gasket Cross Recessed Pan Head Tapping Screw Thread Clamp Wire Pressplate Cross Recessed Pan Head Tapping Screw Bumping Detection	Q-ty 60 10 4 8 8 2 4 4	
<i>Sold as set only.</i>						
RM18--22	Standard Parts 2	No. 1 2 3 4	Material Code 26440010 30020110 30020160 /	Description Charging Base Fixing Peg Connector for Boundary Wires T Type Connecting Terminal Blade Assembly	Q-ty 6 4 4 9	
<i>Sold as set only.</i>						
RM18--23	Adaptor	No. 1	Material Code 30080380	Description Adaptor	Q-ty 1	