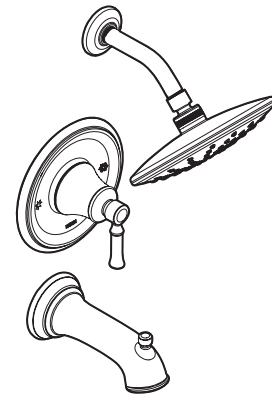




Buy it for looks. Buy it for life.®

# Specifications



## DESCRIPTION

- Metal construction with various finishes identified by suffix
- Includes showerhead, arm, flange and diverter spout

## OPERATION

- Handle operates counterclockwise through a 270° arc with off at 6 o'clock and maximum hot at the 9 o'clock position. Shut off in clockwise direction
- Adjustable temperature limit stop to control maximum hot water temperature
- Pressure balancing mechanism maintains selected discharge temperature to  $\pm 3^\circ$

## FLOW

- EP suffix models are limited to 2.0 gpm (7.6 L/min) at 80 psi

## CARTRIDGE

- 1222 cartridge design
- Nonmetallic/nonferrous and stainless steel materials
- Accommodates back to back installations

## STANDARDS

- Third party certified to meet ASME A112.18.1/CSA B125.1 and all applicable requirements referenced therein
- EP suffix models are third party certified to WaterSense®

- **ADA** for lever handle

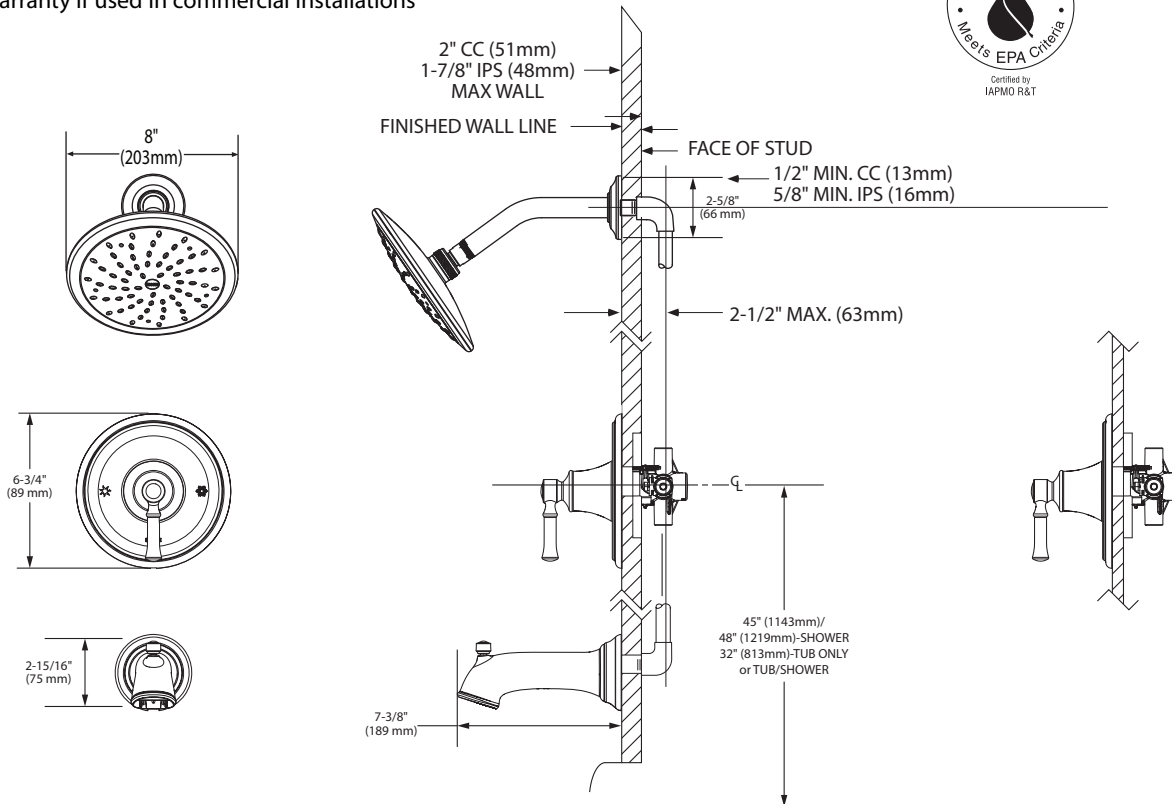
## WARRANTY

- Lifetime limited warranty against leaks, drips and finish defects to the original consumer purchaser
- 5 year warranty if used in commercial installations

## DARTMOOR™ POSI-TEMP® Single-Handle Tub/Shower Trim Kit with Rainshower

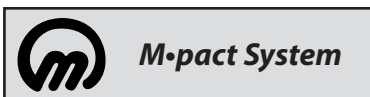
**Models:** T2282EP series - shower trim only  
T2283EP series - tub/shower trim

**Valves:** 62300 series  
2500 series



**THICK WALL APPLICATION**

**THIN WALL APPLICATION**



## CRITICAL DIMENSIONS

(DO NOT SCALE)