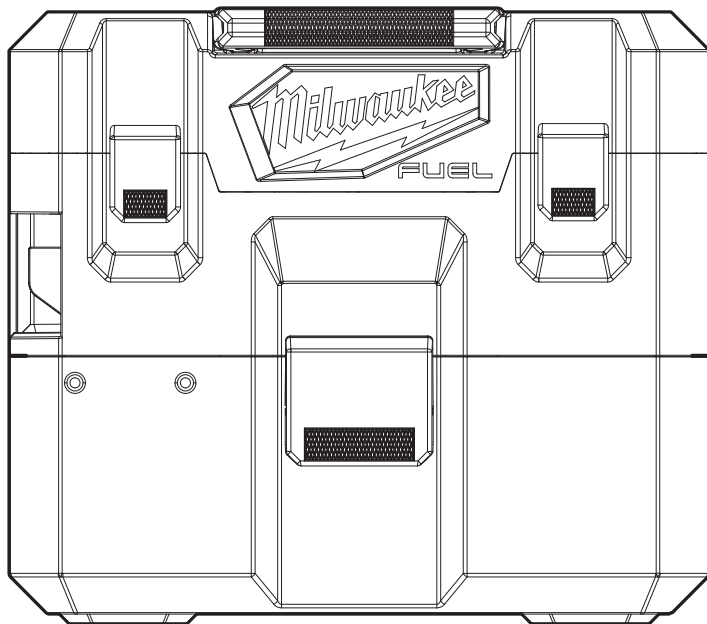




OPERATOR'S MANUAL
MANUEL de L'UTILISATEUR
MANUAL del OPERADOR



Cat. No. / No de cat.

0960-20

M12 FUEL™ 1.6 GALLON WET/DRY VACUUM

**ASPIRATEUR DE DÉTRITUS SECS ET LIQUIDES DE
6,1 L (1,6 GAL) M12 FUEL™**

**ASPIRADORA PARA MATERIALES HÚMEDOS/SECOS DE
6,1 L (1,6 GALONES) M12 FUEL™**

⚠ WARNING To reduce the risk of injury, user must read and understand operator's manual.

⚠ AVERTISSEMENT Afin de réduire le risque de blessures, l'utilisateur doit lire et bien comprendre le manuel.

⚠ ADVERTENCIA Para reducir el riesgo de lesiones, el usuario debe leer y entender el manual.

IMPORTANT SAFETY INSTRUCTIONS

⚠️WARNING WHEN USING AN ELECTRICAL VACUUM, BASIC PRECAUTIONS SHOULD ALWAYS BE FOLLOWED, INCLUDING THE FOLLOWING: READ ALL INSTRUCTIONS BEFORE USING VACUUM. BEFORE USING THE VACUUM, READ THIS OPERATOR'S MANUAL, BATTERY PACK AND CHARGER OPERATOR'S MANUALS, AND ALL LABELS ON THE VACUUM, BATTERY PACK, AND CHARGER. FAILURE TO FOLLOW THE WARNINGS AND INSTRUCTIONS MAY RESULT IN ELECTRIC SHOCK, FIRE AND/OR SERIOUS INJURY.

WORK AREA SAFETY

- Keep work area clean and well lit. Cluttered or dark areas invite accidents.
- Vacuums have motors and other parts that can produce sparks during normal use. Do not use within 30 feet of areas where explosive materials may be present (such as gasoline pumps and places where liquids like paint thinners, cleaners, solvents, etc. are stored).
- Do not use in the presence of explosive dust, liquids or vapors.
- Do not use where oxygen or anesthetics are used.
- Do not allow to be used as a toy. Close attention is necessary when used by or near children.
- Use extra care when using on stairs.

ELECTRICAL SAFETY

- Do not handle battery pack or vacuum with wet hands.

PERSONAL SAFETY

- STAY ALERT. Watch what you are doing and use common sense. Do not use vacuum when you are tired, distracted or under the influence of drugs, alcohol or medication causing diminished control.
- The operation of a vacuum can result in foreign objects being blown into eyes, which can result in eye damage. Always wear safety goggles or glasses with side shields when operating vacuum.
- Wear a dust mask or use an OSHA compliant vacuum solution when working in dusty situations. Dust particles can harm your lungs.
- Avoid accidental starting. Ensure the switch is in the off-position before inserting battery pack. Inserting battery pack in vacuum that has the switch on invites accidents.
- Do not overreach. Keep proper footing and balance at all times. This enables better control of the vacuum in unexpected situations.
- Keep hair, loose clothing, fingers, and all parts of body away from openings and moving parts.
- Use only as described in this manual. Use only manufacturer's recommended attachments.
- Prevent unintentional starting. Ensure the switch is in the off-position before connecting to power source and/or battery pack, picking up or carrying the tool. Carrying power tools with your finger on the switch or energizing power tools that have the switch on invites accidents.

VACUUM USE AND CARE

- Do not use without dust canister and/or filter in place.
- Do not use to pick up flammable or combustible liquids such as gasoline or use in areas where they may be present.
- Do not pick up anything that is burning or smoking such as cigarettes, matches, or hot ashes.

- Do not pick up soot, cement, plaster or drywall dust without filter in place. These are very fine particles that may affect the performance of the motor or be exhausted back into the air.
- This product is suitable for collection of silica dust when used in accordance with these instructions. To reduce the risk of health hazards from other vapors or dust, do not vacuum carcinogenic, toxic or hazardous materials such as asbestos, arsenic, barium, beryllium, lead, pesticides or other health endangered materials.
- Use special care when emptying heavily loaded tanks.
- To avoid spontaneous combustion, empty dust box after each use.
- Do not leave vacuum unattended when battery pack is installed. Remove battery pack when not in use and before servicing.
- Disconnect the battery pack from the appliance before making any adjustments, changing accessories, or storing appliance. Such preventive safety measures reduce the risk of starting the appliance accidentally.
- Do not put any object into openings. Do not use with any opening blocked; keep free of dust, lint, hair, and anything else that may reduce air flow.
- Maintain vacuum. Check for misalignment or binding of moving parts, breakage of parts and any other condition that may affect the vacuum's operation. If damaged, have the vacuum repaired before use. Many accidents are caused by poorly maintained tools.

BATTERY TOOL USE AND CARE

- Recharge only with the charger specified by the manufacturer. A charger that is suitable for one type of battery pack may create a risk of fire when used with another battery pack.
- Use power tools only with specifically designated battery packs. Use of any other battery packs may create a risk of injury and fire.
- When battery pack is not in use, keep it away from other metal objects, like paper clips, coins, keys, nails, screws or other small metal objects, that can make a connection from one terminal to another. Shorting the battery terminals together may cause burns or a fire.
- Under abusive conditions, liquid may be ejected from the battery; avoid contact. If contact accidentally occurs, flush with water. If liquid contacts eyes, additionally seek medical help. Liquid ejected from the battery may cause irritation or burns.
- Do not use a battery pack or tool that is damaged or modified. Damaged or modified batteries may exhibit unpredictable behavior resulting in fire, explosion or risk of injury.

- Do not expose a battery pack or tool to fire or excessive temperature. Exposure to fire or temperature above 265°F (130°C) may cause explosion.
- Follow all charging instructions and do not charge the battery pack or tool outside the temperature range specified in the instructions. Charging improperly or at temperatures outside the specified range may damage the battery and increase the risk of fire.

SERVICE

- Have your power tool serviced by a qualified repair person using only identical replacement parts. This will ensure that the safety of the power tool is maintained.
- Do not modify or attempt to repair the appliance or the battery pack (as applicable) except as indicated in the instructions for use and care.

SPECIFIC SAFETY RULES FOR WET/DRY VACUUM

- Never use vacuum without tank and filter properly installed.
- Wear ear protectors. Exposure to noise can cause hearing loss.

⚠️WARNING To reduce the risk of injury, when working in dusty situations, wear appropriate respiratory protection or use an OSHA compliant dust extraction solution.

- Always use common sense and be cautious when using tools. It is not possible to anticipate every situation that could result in a dangerous outcome. Do not use this tool if you do not understand these operating instructions or you feel the work is beyond your capability; contact Milwaukee Tool or a trained professional for additional information or training.
- Maintain labels and nameplates. These carry important information. If unreadable or missing, contact a MILWAUKEE service facility for a free replacement.

⚠️WARNING Some dust created by power sanding, sawing, grinding, drilling, and other construction activities contains chemicals known to cause cancer, birth defects or other reproductive harm. Some examples of these chemicals are:

- lead from lead-based paint
- crystalline silica from bricks and cement and other masonry products, and
- arsenic and chromium from chemically-treated lumber.

Your risk from these exposures varies, depending on how often you do this type of work. To reduce your exposure to these chemicals: work in a well ventilated area, and work with approved safety equipment, such as those dust masks that are specially designed to filter out microscopic particles.

READ AND SAVE ALL INSTRUCTIONS FOR FUTURE USE

FOR HOUSEHOLD OR COMMERCIAL USE.

SYMBOLOLOGY

- Volts
- Direct Current
- Read operator's manual
- Wear eye protection
- Do not step
- Unlock
- Lock
- UL Listing for Canada and U.S.

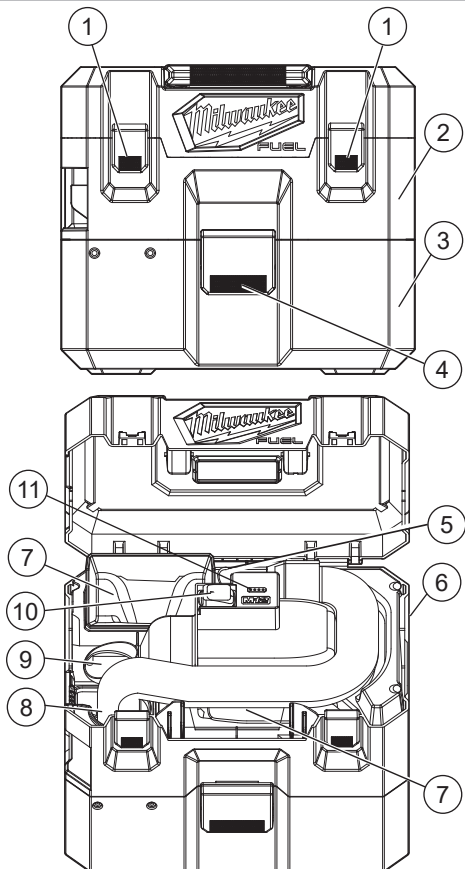
SPECIFICATIONS

Cat. No.	0960-20
Volts.....	12V DC
Battery Type	M12™
Charger Type.....	M12™
Max Air Flow	45 CFM
Max Suction.....	42 inH2O
Capacity.....	1.6 Gal. (6.1 L)
Recommended Ambient Operating Temperature.....	0°F to 125°F
Foam Filter	49-90-2015
Washable HEPA Filter	49-90-1900
Fleece Dust Bag.....	49-90-2016
Round Brush Tool	49-90-2017
Power Tool Adapter	49-90-2018

FUNCTIONAL DESCRIPTION

ASSEMBLY

OPERATION



- | | |
|----------------------------------|----------------------------|
| 1. Battery compartment latches | 7. Accessory storage areas |
| 2. Motor housing | 8. Intake port |
| 3. Tank | 9. Battery bay |
| 4. Tank latches (front and back) | 10. Switch |
| 5. Vacuum inlet | 11. Fuel gauge |
| 6. Blower port | |

⚠ WARNING To reduce the risk of injury, always remove the battery pack before removing the tank.

⚠ CAUTION Keep filter clean. Efficiency of the vacuum is largely dependent on the filter. A dirty filter will reduce the air flow and overall efficiency of the system. Remove from tank and tap clean.

⚠ WARNING Recharge only with the charger specified for the battery. For specific charging instructions, read the operator's manual supplied with your charger and battery.

Removing/Inserting the Battery
To **remove** the battery, push in the release buttons and pull the battery pack away from the tool.

⚠ WARNING Always remove battery pack before changing or removing accessories.
To **insert** the battery, slide the pack into the body of the tool. Make sure it latches securely into place.

Removing/Installing the Filter
Use the filter for dry pickup **only**.
1. Remove the battery pack. Close and latch the battery compartment.
2. Release the tank latches and lift off the motor housing. Place it upside down on a flat surface.
3. To **remove** the filter, turn it 1/2" counter clockwise and pull it off of the motor housing/float cage.
4. Empty all debris from the tank.

NOTE: When applicable, adhere to jobsite guidelines pertaining to the disposal of silica dust.
5. To **install** the filter, slide it over the float cage. Line up the filter tabs with the motor housing notches and turn it 1/2" clockwise to lock in place.
6. Replace the motor housing and secure both latches.

Pick-Up/Blower
The vacuum can be used for debris pick-up or as a blower, depending on the port used.

- For the debris **pick-up**, insert the large end of the hose into the intake port of the motor housing, lining up the tabs on the hose with the notches in the port. Twist to secure and form a tight fit.
- To use as a **blower**, insert the large end of hose into the blower port of the motor housing, lining up the tabs on the hose with the notches in the port. Twist to secure and form a tight fit.

⚠ WARNING Only use accessories specifically recommended for this tool. Others may be hazardous.

Installing/Removing the Accessories
To install the nozzles, hoses or extensions, push the accessory onto the vacuum inlet.

⚠ WARNING To reduce the risk of injury, always wear proper eye protection marked to comply with ANSI Z87.1.

When working in dusty situations, wear appropriate respiratory protection or use an OSHA compliant dust extraction solution.

To reduce the risk of fire and injury, do not use to pick up flammable or combustible materials. Empty tank before use.

Before use, ensure the filter and float cage are properly installed. Remove filter before all wet pick-up operations.

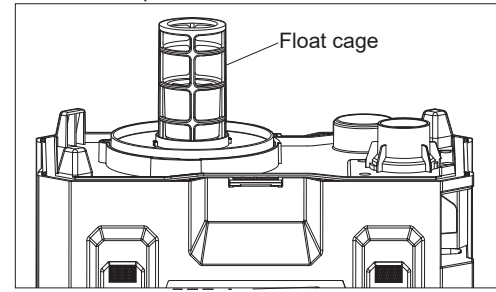
Fuel Gauge
To determine the amount of charge left in the battery, turn the tool **ON**. The Fuel Gauge will light up for 2-3 seconds. When less than 10% of charge is left, 1 light on the fuel gauge will flash 4 times.
To signal the end of charge, 1 light on the fuel gauge will flash 8 times and the tool will not run. Charge the battery pack.
If the battery becomes too hot, the fuel gauge lights will flash in an alternating pattern and the tool will not run. Allow the battery to cool down.

Starting and Stopping Vacuum
To turn the vacuum on **low**, push the switch to the Speed One (I) position.
To turn the vacuum on **high**, push the switch to the Speed Two (II) position.
To turn **off** the vacuum, push the switch to the OFF (O) position.

CAUTION: If the float is clean, moves freely, and the suction does not shut off when the tank is filled, contact a MILWAUKEE service facility for repairs. A malfunctioning tool can cause personal injury or property damage.

Wet Pick-Up Operation
For wet pick-up operation, it is recommended to use the foam filter (Single pack, Cat. No. 49-90-2015).

- Remove ALL dirt and debris found in the tank.
- Remove the filter. Ensure that the float cage remains in place.



- A float cage shuts off suction when the tank is full. Be sure that the float is clean and moves freely in the float cage to ensure that the float valve works.
- Turn on the vacuum and begin pick-up.
- Turn off the vacuum immediately upon completing a wet pick-up job or when tank is full and ready to be emptied.
NOTE: If suction shuts off, turn off the vacuum immediately and empty the tank.

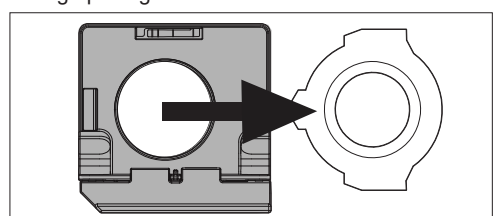
- Remove the battery pack.
- Raise the hose to drain any excess liquid into the tank.
- Remove motor housing and pour liquid waste into a suitable drain.
- Clean the interior of the tank and pick-up accessories periodically, more often when used to pick up wet, sticky materials. Use warm, soapy water.

Automatic Suction Shut-Off
When picking up liquids, an internal float rises until it seats itself against a seal at the intake of the motor, shutting off suction. When this happens, the motor will develop a higher than normal pitch noise and the suction is drastically reduced. If this occurs, turn off the vacuum immediately.

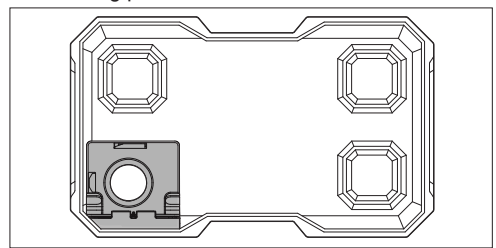
CAUTION: Failure to turn off unit after float rises and shuts off suction will result in extensive damage to the motor.
To continue use, empty the liquid waste from the tank.

NOTE: If the vacuum is accidentally tipped over, it could lose suction. Turn off the vacuum and return it to an upright position. The float will return to its normal position.

Fine Dust Collection
Use the fleece dust bag to collect fine dust particles.
1. Slide the dust bag holder on top of the fleece dust bag opening.



- Hang the dust bag on the fine dust collection mounting plate inside the tank.



Installing the Vacuum Hanger Mounting Plate

The vacuum comes equipped with a hanger and attachable mounting plate. Position the mounting plate as desired, taking into account the wall orientation.

Mounting plate must be installed on a flat, even surface. An uneven surface could cause the mounting plate to warp, resulting in possible problems when installing vacuum.

Use the below recommended fasteners in the four corner holes.

If installing into wood:

- Install onto dimensional lumber 2x4 (or larger) or 3/4" thick plywood.
- Use four Ø 1/4" x 1-1/4" lag screws.

If installing into concrete:

- Use four suitable concrete anchors.

Storage

Before storing your vacuum, empty and clean the tank, filter, and accessories. Remove the battery pack.

MAINTENANCE

⚠️WARNING To reduce the risk of injury, always unplug the charger and remove the battery pack from the charger or tool before performing any maintenance. Never disassemble the tool, battery pack or charger. Contact a MILWAUKEE service facility for ALL repairs.

Maintaining Tool

Keep your tool, battery pack and charger in good repair by adopting a regular maintenance program. Inspect your tool for issues such as undue noise, misalignment or binding of moving parts, breakage of parts, or any other condition that may affect the tool operation. Return the tool, battery pack, and charger to a MILWAUKEE service facility for repair. After six months to one year, depending on use, return the tool, battery pack and charger to a MILWAUKEE service facility for inspection.

If the tool does not start or operate at full power with a fully charged battery pack, clean the contacts on the battery pack. If the tool still does not work properly, return the tool, charger and battery pack, to a MILWAUKEE service facility for repairs.

⚠️WARNING To reduce the risk of personal injury and damage, never immerse your tool, battery pack or charger in liquid or allow a liquid to flow inside them.

Cleaning

Clean dust and debris from vents. Keep handles clean, dry and free of oil or grease. Use only mild soap and a damp cloth to clean, since certain cleaning agents and solvents are harmful to plastics and other insulated parts. Some of these include gasoline, turpentine, lacquer thinner, paint thinner, chlorinated cleaning solvents, ammonia and household detergents containing ammonia. Never use flammable or combustible solvents around tools.

Cleaning the Filter

To clean the filter, tap clean, or rinse in water.

NOTE: If cleaning with water, let filter dry 24 hours before using with vacuum. Replace filter if damaged or suction decreases.

Repairs

For repairs, return the tool, battery pack and charger to the nearest authorized service center.

ACCESSORIES

⚠️WARNING Use only recommended accessories. Others may be hazardous.

For a complete listing of accessories, go online to www.milwaukeeetool.com or contact a distributor.

SERVICE - UNITED STATES

1-800-SAWDUST (1.800.729.3878)

Monday-Friday, 7:00 AM - 6:30 PM CST

or visit www.milwaukeeetool.com

Contact Corporate After Sales Service Technical Support with technical, service/repair, or warranty questions.

Email: metproductsupport@milwaukeeetool.com

Become a Heavy Duty Club Member at www.milwaukeeetool.com to receive important notifications regarding your tool purchases.

SERVICE - CANADA

Milwaukee Tool (Canada) Ltd

1.800.268.4015

Monday-Friday, 7:00 AM - 4:30 PM CST

or visit www.milwaukeeetool.ca

LIMITED WARRANTY USA & CANADA

LIMITED WARRANTY USA & CANADA

Every MILWAUKEE power tool* (see exceptions below) is warranted to the original purchaser only to be free from defects in material and workmanship. Subject to certain exceptions, MILWAUKEE will repair or replace any part on an electric power tool which, after examination, is determined by MILWAUKEE to be defective in material or workmanship for a period of five (5) years** after the date of purchase unless otherwise noted. Return of the power tool to a MILWAUKEE factory Service Center location or MILWAUKEE Authorized Service Station, freight prepaid and insured, is required. A copy of the proof of purchase should be included with the return product. This warranty does not apply to damage that MILWAUKEE determines to be from repairs made or attempted by anyone other than MILWAUKEE authorized personnel, misuse, alterations, abuse, normal wear and tear, lack of maintenance, or accidents.

Normal Wear: Many power tools need periodic parts replacement and service to achieve best performance. This warranty does not cover repair when normal use has exhausted the life of a part including, but not limited to, chucks, brushes, cords, saw shoes, blade clamps, o-rings, seals, bumpers, driver blades, pistons, strikers, lifters, and bumper cover washers.

*This warranty does not cover Air Nailers & Staplers; Airless Paint Sprayer; Cordless Battery Packs; Gasoline Driven Portable Power Generators; Hand Tools; Hoist - Electric, Lever & Hand Chain; M12™ Heated Gear; Reconditioned Product; and Test & Measurement Products. There are separate and distinct warranties available for these products.

**The warranty period for Job Site Radios, M12™ Power Port, M18™ Power Source, Jobsite Fan and Trade Titan™ Industrial Work Carts is one (1) year from the date of purchase. The warranty period for the M18 FUEL™ 1" D-Handle High Torque Impact Wrenches, Drain Cleaning Cables, AIRSNAKE™ Drain Cleaning Air Gun Accessories, and REDLITHIUM™ USB Laser Levels is two (2) years from the date of purchase. The warranty period for the M18™ Compact Heat Gun, 8 Gallon Dust Extractor, M18™ Framing Nailers, M18 FUEL™ 1/2" Ext.

Anvil Controlled Torque Impact Wrench w/ ONE-KEY™, M18 FUEL™ 1" High Torque Impact Wrench w/ ONE-KEY™, M18 FUEL™ 2 Gal. Compact Quiet Compressor, and M12™ Laser Levels is three (3) years from the date of purchase. The warranty period for the LED in the LED Work Light and the LED Upgrade Bulb for the Work Light is the lifetime of the product subject to the limitations above. If during normal use the LED or LED Bulb fails, the part will be replaced free of charge. Warranty Registration is not necessary to obtain the applicable warranty on a MILWAUKEE power tool product. The manufacturing date of the product will be used to determine the warranty period if no proof of purchase is provided at the time warranty service is requested. ACCEPTANCE OF THE EXCLUSIVE REPAIR AND REPLACEMENT REMEDIES DESCRIBED HEREIN IS A CONDITION OF THE CONTRACT FOR THE PURCHASE OF EVERY MILWAUKEE PRODUCT. IF YOU DO NOT AGREE TO THIS CONDITION, YOU SHOULD NOT PURCHASE THE PRODUCT. IN NO EVENT SHALL MILWAUKEE BE LIABLE FOR ANY INCIDENTAL, SPECIAL, CONSEQUENTIAL OR PUNITIVE DAMAGES, OR FOR ANY COSTS, ATTORNEY FEES, EXPENSES, LOSSES OR DELAYS ALLEGED TO BE AS A CONSEQUENCE OF ANY DAMAGE TO, FAILURE OF, OR DEFECT IN ANY PRODUCT INCLUDING, BUT NOT LIMITED TO, ANY CLAIMS FOR LOSS OF PROFITS. SOME STATES DO NOT ALLOW THE EXCLUSION OR LIMITATION OF INCIDENTAL OR CONSEQUENTIAL DAMAGES, SO THE ABOVE LIMITATION OR EXCLUSION MAY NOT APPLY TO YOU. THIS WARRANTY IS EXCLUSIVE AND IN LIEU OF ALL OTHER EXPRESS WARRANTIES, WRITTEN OR ORAL. TO THE EXTENT PERMITTED BY LAW, MILWAUKEE DISCLAIMS ANY IMPLIED WARRANTIES, INCLUDING WITHOUT LIMITATION ANY IMPLIED WARRANTY OF MERCHANTABILITY OR FITNESS FOR A PARTICULAR USE OR PURPOSE; TO THE EXTENT SUCH DISCLAIMER IS NOT PERMITTED BY LAW, SUCH IMPLIED WARRANTIES ARE LIMITED TO THE DURATION OF THE APPLICABLE EXPRESS WARRANTY AS DESCRIBED ABOVE. SOME STATES DO NOT ALLOW LIMITATIONS ON HOW LONG AN IMPLIED WARRANTY LASTS. SO THE ABOVE LIMITATION MAY NOT APPLY TO YOU. THIS WARRANTY GIVES YOU SPECIFIC LEGAL RIGHTS, AND YOU MAY ALSO HAVE OTHER RIGHTS WHICH VARY FROM STATE TO STATE.

This warranty applies to product sold in the U.S.A. and Canada only. Please consult the 'Service Center Search' in the Parts & Service section of MILWAUKEE's website www.milwaukeeetool.com or call 1.800.SAWDUST (1.800.729.3878) to locate your nearest service facility for warranty and non-warranty service on a Milwaukee electric power tool.

RÈGLES GÉNÉRALES DE SÉCURITÉ

⚠️AVERTISSEMENT

LORS DE L'UTILISATION D'UN ASPIRATEUR ÉLECTRIQUE, DES PRÉCAUTIONS ÉLÉMENTAIRES, Y COMPRIS CELLES PRÉSENTÉES CI-DESSOUS, DOIVENT TOUJOURS ÊTRE PRISES EN COMPTE : LIRE TOUTES LES INSTRUCTIONS AVANT D'UTILISER L'ASPIRATEUR. AVANT D'UTILISER L'ASPIRATEUR, LIRE LE PRÉSENT MANUEL D'UTILISATION, LE MANUEL D'UTILISATION DU BLOC-PILES ET DU CHARGEUR, AINSI QUE TOUTES LES ÉTIQUETTES SE TROUVANT SUR L'ASPIRATEUR, LE BLOC-PILES, ET LE CHARGEUR. NE PAS SUIVRE L'ENSEMBLE DES AVERTISSEMENTS ET INSTRUCTIONS PEUT ENTRAÎNER UN CHOC ÉLECTRIQUE, UN INCENDIE ET/ DES BLESSURES GRAVES.

SÉCURITÉ DU LIEU DE TRAVAIL

- Veuillez conserver votre zone de travail propre et bien éclairée. Les zones encombrées ou sombres sont propices aux accidents.
- Les aspirateur et autres pièces pouvant produire des étincelles durant leur fonctionnement normal. Veuillez conserver une distance de 10 mètres avec les zones pouvant contenir des matières explosives (tels que des pompes à essence et des endroits où des produits comme du diluant à peinture, des produits nettoyants, des solvants, etc. sont stockés).
- Ne pas utiliser en présence de poussières, liquides ou vapeurs explosives.
- Ne pas utiliser là où de l'oxygène ou des anesthésiants sont utilisés.
- Interdire son utilisation comme un jouet. Portez une attention particulière lorsque l'appareil est utilisé par ou proche d'enfants.
- Utilisez des soins supplémentaires lors de l'utilisation sur les escaliers

SÉCURITÉ ÉLECTRIQUE

- N'aspirez pas de matériaux humides. N'utilisez pas d'eau pour contenir la poussière.
- Ne pas manipuler la batterie ou le aspirateur mains mouillées.

SÉCURITÉ INDIVIDUELLE

- RESTEZ ATTENTIF Restez attentif à ce que vous faites et utilisez votre bon sens. N'utilisez pas le dépoussiéreur si vous êtes fatigué, distrait ou sous l'influence de drogues, d'alcool ou d'une médication pouvant entraîner une diminution de votre contrôle.

• Lors du fonctionnement d'un aspirateur des objets étrangers peuvent être projetés dans les yeux, pouvant entraîner des blessures à l'oeil. Toujours porter des lunettes de sécurité ou des lunettes avec des protections latérales lorsque vous utilisez le aspirateur.

• Porter un masque anti-poussière ou utiliser une solution d'extraction de poussière conforme aux normes OSHA pendant que vous travaillez dans des circonstances poussiéreuses. Les particules de poussière peuvent nuire vos poumons.

• Éviter les démarrages accidentels. Veuillez vous assurer que l'interrupteur est sur la position arrêt avant d'insérer la batterie. Insérer la batterie dans le aspirateur dont l'interrupteur est sur le position marche est propice aux accidents.

• Ne pas trop tendre les bras lors de son utilisation. Toujours se tenir bien campé et en équilibre. Ceci vous permettra d'avoir un meilleur contrôle du aspirateur lors de situations inattendues.

• Gardez les cheveux, les vêtements amples et les doigts loin des ouvertures et des parties en mouvement.

• Utiliser seulement tel que décrit dans le présent manuel. N'utiliser que les attaches recommandées par le fabricant.

• Empêcher les démarrages accidentels. S'assurer que la gâchette est en position d'arrêt avant de brancher l'outil à une source de courant, d'insérer la batterie, de le ramasser ou de le transporter. Le fait de transporter un outil électrique en gardant le doigt sur la gâchette ou de mettre sous tension un outil électrique lorsque la gâchette est en position de marche favorise les accidents.

UTILISATION ET ENTRETIEN DE L'OUTIL ÉLECTRIQUE

• Ne pas utiliser si la boîte à poussière et/ou les filtres ne sont pas en place.

• Ne pas utiliser pour ramasser des liquides inflammables tels que l'essence ou ne pas utiliser dans des endroits où de tels produits peuvent être présents.

• Ne pas ramasser de matériaux en feu ou fumants comme des cigarettes, des allumettes ou des cendres chaudes.

• Ne pas ramasser de suie, de ciment, de plâtre ou de poussière de cloison sèche sans filtre en place. Il s'agit de particules très fines pouvant affecter la performance du moteur ou être rejetées dans l'air.

• Ce produit convient à la collecte de la poussière de silice lorsqu'il est utilisé conformément à ces instructions. Afin de réduire les risques pour la santé issus de autres vapeurs ou de poussières, ne pas aspirer de matières toxiques, cancérigènes ou autres matières dangereuses comme l'amiante, l'arsenic, le baryum, le béryllium, le plomb, les pesticides ou autres matières pouvant mettre en danger la santé.

• Apportez une attention toute particulière lorsque vous videz des réservoirs très chargés.

• Afin d'éviter toute combustion spontanée, vider la boîte à poussière après chaque utilisation.

• Ne laissez pas le aspirateur sans surveillance lorsque la batterie est installée. Retirez la batterie lorsque l'appareil n'est pas en service et avant son entretien.

• Débrancher le bloc-piles de l'appareil avant d'entreprendre tout réglage, de changer les accessoires ou d'entreposer l'appareil même. De telles mesures préventives de sécurité minimisent le risque de démarrage accidentel de l'appareil.

• Ne pas insérer d'objet dans les ouvertures. Ne pas utiliser lorsqu'une des ouvertures est obstruée: les garder libre de toute poussière, peluches, cheveux et tout autre matière pouvant réduire le flux d'air.

• Maintenance du aspirateur. Vérifier le désalignement ou le blocage des pièces mobiles, le bris de pièces ou de toute autre condition pouvant affecter le fonctionnement du aspirateur. Si endommagé, veuillez faire réparer le aspirateur avant de l'utiliser. Beaucoup d'accidents se produisent suite à une mauvaise maintenance des outils.

UTILISATION ET ENTRETIEN DE LA BATTERIE

• Pour recharger le bloc-piles, utiliser seulement le chargeur spécifié par le fabricant. Un chargeur pouvant convenir à un type de bloc-piles peut entraîner un risque d'incendie lorsqu'il est utilisé avec un autre type de bloc-piles.

• N'utiliser l'outil électrique qu'avec une batterie recommandée. L'utilisation de tout autre bloc-piles peut créer un risque de blessures et d'incendie.

• Lorsque le bloc-piles n'est pas utilisé, le tenir éloigné des objets en métal tels que les trombones, les pièces de monnaie, les clés, les clous, les vis ou d'autres petits objets métalliques qui pourraient connecter les bornes. Le court-circuitage des bornes d'une pile peut entraîner des brûlures ou un incendie.

• Éviter tout contact avec le liquide pouvant être éjecté de la pile en cas de manutention abusive. En cas de contact accidentel, rincer immédiatement les parties atteintes avec de l'eau. Si le liquide entre en contact avec les yeux, consulter un médecin. Le liquide éjecté des piles peut causer des irritations ou des brûlures.

• N'utiliser aucun bloc-piles ni aucun outil ayant été endommagé ou modifié. Des piles endommagées ou modifiées peuvent adopter un comportement imprévisible pouvant causer un incendie, une explosion ou le risque de blessures.

• Ne pas exposer le bloc-piles ou l'outil aux flammes ou à une température excessive. Une exposition aux flammes ou à une température supérieure à 130°C (265°F) peut causer une explosion.

• Suivre toutes les instructions de charge et ne pas charger le bloc-piles ou l'outil en dehors de la plage de température spécifiée. Une charge incorrecte ou à des températures en dehors de la plage spécifiée peut endommager la pile et augmenter le risque d'incendie.

ENTRETIEN

• Assurez-vous que votre outil électrique soit réparé par une personne qualifiée utilisant des pièces de rechange identiques. Ceci vous garantira que la sécurité de l'appareil est conservée.

• Ne pas ni modifier ni essayer d'entretenir l'appareil ou le bloc-piles (selon le cas), sauf si une mesure telle est indiquée dans les instructions d'emploi et entretien.

RÈGLES DE SÉCURITÉ SPÉCIFIQUES POUR ASPIRATEUR

• Ne jamais utiliser l'aspirateur sans avoir le réservoir et le filtre correctement installés.

• Porter des protecteurs d'oreille. L'exposition au bruit peut entraîner une perte auditive.

AVERTISSEMENT

Afin de minimiser le risque de blessures, lorsque de travaux sont faits dans de situations poussiéreuses, porter une protection respiratoire ou bien, utiliser une solution d'extraction de poussière conforme aux normes OSHA.

• Toujours faire preuve de bons sens et procéder avec prudence lors de l'utilisation d'outils. C'est impossible de prévoir toutes les situations dont le résultat est dangereux. Ne pas utiliser cet outil si vous ne comprenez pas ces instructions d'opération ou si vous pensez que le travail dépasse votre capacité ; veuillez contacter Milwaukee Tool ou un professionnel formé pour recevoir plus d'information ou formation.

• Maintenir en l'état les étiquettes et les plaques d'identification. Des informations importantes y figurent. Si elles sont illisibles ou manquantes, contacter un centre de services et d'entretien MILWAUKEE pour un remplacement gratuit.

AVERTISSEMENT

Certaines poussières générées par les activités de ponçage, de coupe, de rectification, de perçage et d'autres activités de construction contiennent des substances considérées être la cause de malformations congénitales et de troubles de l'appareil reproducteur. Parmi ces substances figurent:

- le plomb contenu dans les peintures à base de plomb;
- la silice cristalline des briques, du ciment et d'autres matériaux de maçonnerie, ainsi que
- l'arsenic et le chrome des sciages traités chimiquement. Les risques encourus par l'opérateur envers ces expositions varient en fonction de la fréquence de ce type de travail. Pour réduire l'exposition à ces substances chimiques, l'opérateur doit: travailler dans une zone bien ventilée et porter l'équipement de sécurité approprié, tel qu'un masque anti-poussière spécialement conçu pour filtrer les particules microscopiques.

LIRE TOUTES LES INSTRUCTIONS ET LES CONSERVER À DES FINS DE RÉFÉRENCE ULTÉRIEURE

POUR UTILISATION DOMESTIQUE OU COMMERCIALE.

PICTOGRAPHIE

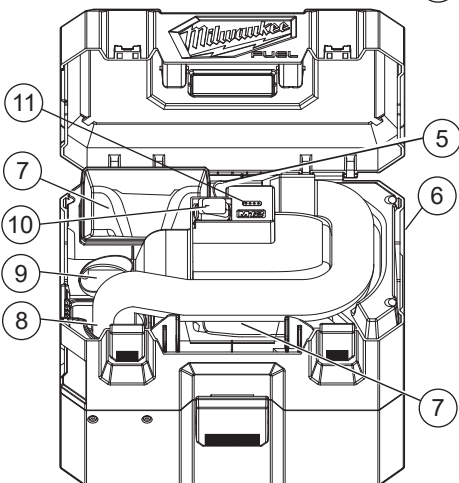
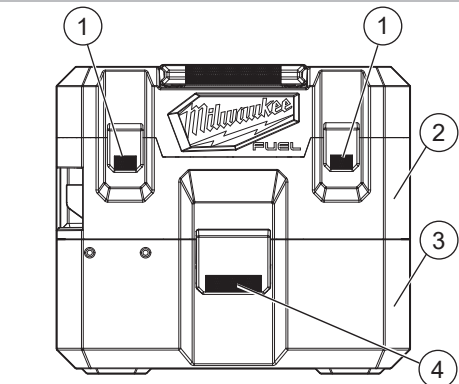
- Volts
- Courant direct
- Lire le manuel d'utilisation
- Toujours porter une protection oculaire
- Ne pas étape
- Déverrouiller
- Verrouillage
- UL Listing Mark pour Canada et États-unis

SPÉCIFICATIONS

No de Cat.....	0960-20
Volts.....	12V CD
Type de batterie	M12™
Type de chargeur	M12™
Max Debit d'air....	21,1 litres par seconde (45 CFM)
Max Suction	10 kPa (42 inH2O)
Capacité	6,1 L (1,6 Gal.)
Température ambiante de fonctionnement recommandée	
-18°C à 50°C (0°F à 125°F)	
Filter en mousse	49-90-2015
Filter HEPA lavable	49-90-1900
Sac à poussière en molleton	49-90-2016
Brosse ronde	49-90-2017
Adaptation outil électrique	49-90-2018

FUNCTIONAL DESCRIPTION

MONTAGE DE L'OUTIL



- | | |
|--|---|
| 1. Loquets du compartiment à piles | 7. Zones de rangement des accessoires |
| 2. Boîtier du moteur | 8. Port d'admission |
| 3. Réservoir | 9. Compartiment des piles |
| 4. Loquets du réservoir (avant et arrière) | 10. Commutateur |
| 5. Entrée de l'aspirateur | 11. Indicateur de charge de la batterie |
| 6. Orifice de soufflante | |

⚠ AVERTISSEMENT

Afin de réduire les risques de blessures, toujours retirer le bloc-piles avant de retirer le réservoir.

⚠ ATTENTION Garder le filtre propre. L'efficacité de l'aspirateur dépend en grande partie du filtre. Un filtre sale réduit la circulation de l'air ainsi que l'efficacité globale du système. Retirer du réservoir et appuyez sur propre.

⚠ AVERTISSEMENT

Ne recharger la batterie qu'avec le chargeur spécifié. Pour les instructions de charge spécifiques, lire le manuel d'utilisation fourni avec le chargeur et les batteries.

Insertion/Retrait de la batterie

Pour retirer la batterie, enfoncer les boutons de déverrouillage et la tirer hors de l'outil.

⚠ AVERTISSEMENT

Il faut toujours retirer la batterie et verrouiller la détente de l'outil avant de changer ou d'enlever les accessoires.

Pour insérer la batterie, la glisser dans le corps de l'outil. S'assurer qu'elle est fixée solidement.

Retrait/installation du filtre

Utiliser le filtre pour le ramassage à sec uniquement.

1. Retirer le bloc-piles. Fermer et verrouiller la porte du compartiment du bloc-piles avec le loquet.
2. Libérer les loquets du réservoir et soulever le boîtier du moteur. Le poser renversé sur une surface plane.
3. Pour retirer le filtre, le tourner de 13 mm (1/2") dans le sens antihoraire et retirer le filtre du boîtier du moteur/de la cage du flotteur.
4. Vider tous les débris du réservoir.

REMARQUE : Le cas échéant, respectez les directives du chantier concernant l'élimination de la poussière de silice.

5. Pour installer le filtre, le faire glisser sur la cage flottante. Aligner les languettes du filtre avec les encoches du boîtier du moteur et le tourner de 13 mm (1/2") dans le sens horaire pour le verrouiller en place.
6. Remettre le boîtier du moteur en place et attacher les deux loquets.

Ramassage/Soufflante

L'aspirateur peut être utilisé pour le ramassage des débris ou comme soufflante, selon le port utilisé.

1. Pour ramasser les débris, insérer la grande extrémité du tuyau dans l'orifice d'admission du boîtier du moteur, en alignant les languettes du tuyau avec les encoches dans l'orifice. Tourner pour attacher le tuyau et former un ajustement serré.
2. Pour un usage de soufflante, insérer la grande extrémité du tuyau dans l'orifice de soufflante du boîtier du moteur, en alignant les languettes du tuyau avec les encoches dans l'orifice. Tourner pour attacher le tuyau et former un ajustement serré.

⚠ AVERTISSEMENT

L'emploi d'accessoires autres que ceux qui sont expressément recommandés pour cet outil peut comporter des risques.

Installation et retrait des accessoires

Pour installer les buses, les tuyaux ou les accessoires, pousser l'accessoire sur l'entrée de l'aspirateur.

MANIEMENT

⚠ AVERTISSEMENT Afin de minimiser le risque de blessures, toujours porter la protection oculaire appropriée certifiée conforme à la norme ANSI Z87.1.

Lorsque de travaux sont faits dans de situations poussiéreuses, porter une protection respiratoire ou bien, utiliser une solution d'extraction de poussière conforme aux normes OSHA.

Afin de réduire le risque d'incendie et de blessure, ne pas utiliser pour ramasser des matières inflammables.

Vider le réservoir avant utilisation.

Avant toute utilisation, s'assurer que le filtre et la cage du flotteur sont correctement installés. Retirer le filtre avant l'aspiration des déchets humides.

Indicateur de charge de la batterie

Pour déterminer l'autonomie de la batterie, allumez l'outil. La jauge de carburant s'allume pendant 2-3 secondes. Lorsque moins de 10% de la charge est laissée, une lumière sur la jauge de carburant clignotera 4 fois.

Pour signaler la fin de la charge, une lumière sur la jauge de carburant clignotera 8 fois et l'outil ne s'exécutera pas. Chargez le bloc-piles.

Si la batterie devient trop chaude, les voyants de jauge de carburant clignoteront dans un motif alternatif et l'outil ne s'exécutera pas. Laissez la batterie refroidir.

Démarrage et arrêt de l'aspirateur

Pour démarrer l'aspirateur en vitesse lente, pousser le commutateur sur la position de vitesse 1 (I).

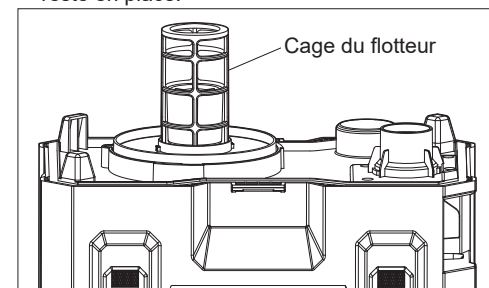
Pour démarrer l'aspirateur en vitesse rapide, pousser le commutateur sur la position de vitesse 2 (II). Pour arrêter l'aspirateur, mettre le commutateur sur la position d'arrêt (0).

ATTENTION : Si le flotteur est propre, se déplace librement, et l'aspiration ne s'éteint pas lorsque le réservoir est rempli, contactez une installation de service MILWAUKEE pour les réparations. Un outil défectueux peut causer des blessures corporelles ou des dommages matériels.

Opération de ramassage de liquide

Pour le ramassage humide, il est recommandé d'utiliser le filtre en mousse (Pack unique, Chat. No. 49-90-2015).

1. Retirer TOUTE la poussière et TOUTS les débris qui se trouvent dans le réservoir.
2. Enlever le filtre. S'assurer que la cage de flotteur reste en place.



3. Une cage de flotteur arrête l'aspiration lorsque le réservoir est plein. S'assurer que le flotteur est propre et se déplace librement dans la cage du flotteur pour garantir le bon fonctionnement de la soupape à flotteur.

4. Allumer l'aspirateur et commencer à aspirer.
5. Arrêter l'aspirateur immédiatement après le ramassage de liquide ou quand le réservoir est plein et prêt à être vidé.

REMARQUE : Si l'aspiration est interrompue, arrêter l'aspirateur immédiatement et vider le réservoir.

6. Retirer le bloc-piles.
7. Soulever le tuyau pour vidanger tout excès de liquide dans le réservoir.
8. Retirer le boîtier du moteur et verser les déchets liquides dans un drain approprié.
9. Nettoyer régulièrement l'intérieur du réservoir et les accessoires de ramassage; le faire plus souvent lorsqu'ils sont utilisés pour ramasser des matériaux humides et collants. Utiliser de l'eau chaude savonneuse.

Arrêt automatique de l'aspiration

Lorsque des liquides sont aspirés, un flotteur interne monte jusqu'à ce qu'il se place contre un joint à l'admission du moteur, coupant l'aspiration. Lorsque cela se produit, le moteur émet un bruit plus élevé que la normale et l'aspiration est considérablement réduite. Si cela se produit, éteindre immédiatement l'aspirateur.

ATTENTION : Ne pas éteindre l'aspirateur après la montée du flotteur et arrêter l'aspiration entraînera des dommages importants au moteur.

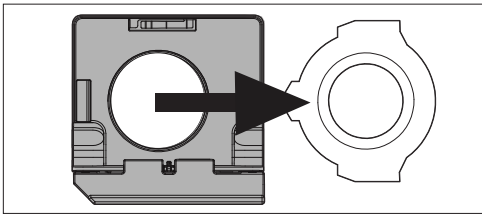
Pour continuer à utiliser l'aspirateur, vider les déchets liquides du réservoir.

REMARQUE : Si l'aspirateur est accidentellement renversé, il peut cesser d'aspirer. Éteindre l'aspirateur et le remettre en position verticale. Le flotteur reviendra à sa position normale.

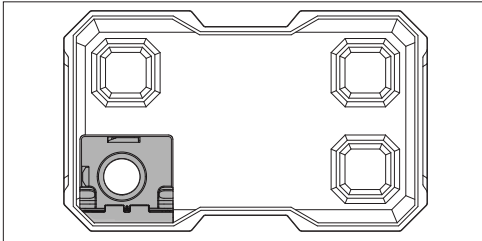
Aspiration de poussière fine

Utilisez le sac de poussière de toison pour recueillir les particules de poussière fine.

1. Faites glisser le sac de poussière monter dans le trou de montage sac de poussière de toison.



2. Accrochez le sac de poussière sur la plaque de montage à l'intérieur du réservoir.



Installation de la plaque de montage du crochet de l'aspirateur

L'aspirateur est équipé d'un crochet et d'une plaque de montage amovible.

Positionner la plaque de montage comme vous le souhaitez, en tenant compte de l'orientation du mur. La plaque de montage doit être installée sur une surface plane et uniforme. Une surface inégale peut entraîner une déformation de la plaque de montage, ce qui peut entraîner des problèmes lors de l'installation de l'aspirateur.

Utiliser les attaches recommandées ci-dessous dans les quatre trous d'angle.

En cas d'installation dans du bois :

- Installer sur du bois de construction (2x4 ou plus) ou du contreplaqué de 19 mm (3/4") d'épaisseur.
- Utiliser quatre vis tire-fond Ø 6 x 32 mm (Ø 1/4" x 1-1/4").

En cas d'installation dans du béton :

- Utiliser quatre ancrages en béton appropriés.

Stockage

Avant de ranger votre aspirateur, vider et nettoyer le réservoir, le filtre et les accessoires. Retirer le bloc-piles.

ENTRETIEN

⚠ AVERTISSEMENT

Pour minimiser les risques de blessures corporelles, débranchez le chargeur et retirez la batterie du chargeur ou de l'outil avant d'y effectuer des travaux d'entretien. Ne démontez jamais l'outil, la batterie ou le chargeur. Pour toute réparation, consultez un centre de service MILWAUKEE accrédité.

Entretien de l'outil

Gardez l'outil en bon état en adoptant un programme d'entretien ponctuel. Inspectez votre outil pour des questions telles que le bruit excessif, de grippage des pièces mobiles, de pièces cassées ou toute autre condition qui peut affecter le fonctionnement de l'outil. Retournez votre outil à un centre de service MILWAUKEE accrédité pour obtenir le service. Après une période pouvant aller de 6 mois à un an, selon l'usage, retournez votre outil à un centre de service MILWAUKEE accrédité pour d'inspection.

Si l'outil ne démarre pas ou ne fonctionne pas à pleine puissance alors qu'il est branché sur une batterie complètement chargée, nettoyez les points de contact entre la batterie et l'outil. Si l'outil ne fonctionne toujours pas correctement, renvoyez l'outil, le chargeur et la batterie à un centre de service MILWAUKEE accrédité.

⚠ AVERTISSEMENT

Pour minimiser les risques de blessures ou de dommages à l'outil, n'immergez jamais l'outil, la batterie ou le chargeur et ne laissez pas de liquide s'y infiltrer.

Nettoyage

Débarrassez les événements des débris et de la poussière. Gardez les poignées propres, à sec et exemptes d'huile ou de graisse. Le nettoyage doit se faire avec un linge humide et un savon doux. Certains nettoyants tels l'essence, la térébenthine, les diluants à laque ou à peinture, les solvants chlorés, l'ammoniaque et les détergents d'usage domestique qui en contiennent pourraient détériorer le plastique et l'isolation des pièces. Ne laissez jamais de solvants inflammables ou combustibles auprès des outils.

Nettoyage du filtre

Pour nettoyer le filtre, le taper pour faire tomber toute la poussière ou le baigner dans l'eau.

REMARQUE : Si le nettoyage sera effectué à l'eau, laissez le filtre sécher pendant 24 heures avant de l'utiliser avec l'aspirateur. Changez le filtre s'il est endommagé ou si l'aspiration a une puissance réduite.

Réparations

Pour les réparations, retournez l'outil, batterie et chargeur en entier au centre-service autorisé le plus près.

ACCESOIRES

⚠ AVERTISSEMENT

L'utilisation d'autres accessoires que ceux qui sont spécifiquement recommandés pour cet outil peut comporter des risques.

Pour une liste complète des accessoires, visiter le site internet www.milwaukeetool.com ou contactez un distributeur.

SERVICE - CANADA

Milwaukee Tool (Canada) Ltd

1.800.268.4015

Monday-Friday, 7:00 AM - 4:30 PM CST

www.milwaukeetool.ca

GARANTIE LIMITÉE - AUX ÉTATS-UNIS ET AU CANADA

Chaque outil électrique* MILWAUKEE (voir exceptions ci-dessous) est garanti à l'acheteur d'origine uniquement pour être exempt de vices de matériaux et de fabrication. Sous réserve de certaines exceptions, MILWAUKEE réparera ou remplacera toute pièce d'un outil électrique qui, après examen par MILWAUKEE, s'est avérée être affectée d'un vice de matériau ou de fabrication et ce pendant une période de cinq (5) ans** à compter de la date d'achat, sauf indication contraire. Retourner l'outil électrique à un centre de réparation en usine MILWAUKEE ou à un poste d'entretien agréé MILWAUKEE, en port prépayé et assuré. Une copie de la preuve d'achat doit être présentée lors du retour du produit. Cette garantie ne couvre pas les dommages que MILWAUKEE détermine être causés par des réparations ou des tentatives de réparation par quiconque autre que le personnel agréé par MILWAUKEE, ou par des utilisations incorrectes, des altérations, des utilisations abusives, une usure normale, une carence d'entretien ou des accidents.

Usure normale : Plusieurs outils électriques requièrent un remplacement et un entretien périodique de leurs pièces pour un meilleur rendement. Cette garantie ne couvre pas la réparation des pièces due à l'utilisation normale de l'outil, y compris, mais sans s'y limiter, les mandrins, les brosses, les cordes, les sabots de scie, les portelames, les joints toriques, les joints, les amortisseurs, les lames d'entraînement, les pistons, les perceurs, les crochets et les rondelles à couvercle amortisseur.

* Cette garantie ne s'applique pas aux cloueuses-agrafeuses pneumatiques, aux pulvérisateurs à peinture sans air, aux blocs-piles pour outils sans fil, aux génératrices d'alimentation portatives à essence, aux outils à main, aux monte-charge - électriques, à levier et à chaîne, aux vestes chauffantes M12™, aux produits ré-usinés, ni aux produits d'essai et de mesure. Il existe des garanties séparées distinctes pour ces produits.

** La période de garantie applicable pour les radios de chantier, le port d'alimentation M12™, la source électrique M18™, le ventilateur de chantier et les chariots de travail industriels Trade Titan™ est d'une durée d'un (1) an à compter de la date d'achat. La période de garantie pour les M18 FUEL™ 1" chocs à couple élevé à poignée en « D », câbles de nettoyage des drains, les accessoires de pistolet à air de vidange AIRSNAKE™ et les niveaux laser USB REDLITHIUM® est de deux (2) ans à compter de la date d'achat. La période de garantie pour le pistolet thermique compact M18™, Dépoussiéreur de 8 gallons, M18™ cloueuses à ossature, M18 FUEL™ 1/2" clé à chocs de enclume prolongé, couple contrôlé avec ONE-KEY™, M18 FUEL™ 1" clé à chocs de couple élevé avec ONE-KEY™ et M18 FUEL™ compresseur silencieux compact de 7,6 L, et les niveaux laser M12™ est de trois (3) ans à compter de la date d'achat. La période de garantie couvrant la DEL de la lampe de travail à DEL et l'ampoule améliorée à DEL de la lampe de travail est une garantie à vie du produit soumise aux limitations ci-dessus. En cas de défaillance de la DEL ou de l'ampoule à DEL pendant son utilisation normale, la pièce défectueuse sera remplacée gratuitement.

L'enregistrement de la garantie n'est pas nécessaire pour bénéficier de la garantie en vigueur sur un outil électrique MILWAUKEE. La date de fabrication du produit servira à établir la période de garantie, si aucune preuve d'achat n'est fournie lorsqu'une demande de service sous garantie est déposée.

L'ACCEPTATION DES RECOURS EXCLUSIFS DE RÉPARATION ET DE REMPLACEMENT DÉCRITS DANS LES PRÉSENTES EST UNE CONDITION DU CONTRAT D'ACHAT DE TOUT PRODUIT MILWAUKEE. SI VOUS N'ACCEPTÉZ PAS CETTE CONDITION,

VOUS NE DEVEZ PAS ACHETER LE PRODUIT. EN AUCUN CAS, MILWAUKEE NE SAURAIT ÊTRE RESPONSABLE DE TOUT DOMMAGE ACCESSOIRE, SPÉCIAL OU INDIRECT, DE DOMMAGES-INTÉRÊTS PUNITIFS OU DE TOUTE DÉPENSE, D'HONORAIRES D'AVOCAT, DE FRAIS, DE PERTE OU DE DÉLAIS ACCESSOIRES À TOUT DOMMAGE, DÉFAILLANCE OU DÉFAUT DE TOUT PRODUIT, Y COMPRIS NOTAMMENT LES PERTES DE PROFIT. CERTAINS ÉTATS ET PROVINCES NE PERMETTANT L'EXCLUSION OU LA LIMITATION DES DOMMAGES DIRECTS OU INDIRECTS, LES RESTRICTIONS CI-DESSUS PEUVENT NE PAS VOUS ÊTRE APPLICABLES. CETTE GARANTIE EST EXCLUSIVE ET REMPLACE TOUTE AUTRE GARANTIE EXPRESSE, QU'ELLE SOIT VERBALE OU ÉCRITE. DANS LA MESURE PERMISE PAR LA LOI, MILWAUKEE RENONCE À TOUTE GARANTIE IMPLICITE, Y COMPRIS, MAIS SANS S'Y LIMITER, TOUTE GARANTIE IMPLICITE DE QUALITÉ MARCHANDE OU D'ADAPTATION À UNE UTILISATION OU À UNE FIN PARTICULIÈRE. DANS LA MESURE OU UNE TELLE STIPULATION D'EXONÉRATION N'EST PAS PERMISE PAR LA LOI, LA DURÉE DE CES GARANTIES IMPLICITES EST LIMITÉE À LA PÉRIODE APPLICABLE DE LA GARANTIE EXPRESSE, TEL QUE CELA EST DÉCRIT PRÉCÉDEMMENT. CERTAINS ÉTATS ET PROVINCES NE PERMETTANT PAS DE LIMITATION DE DURÉE DES GARANTIES IMPLICITES, LES RESTRICTIONS CI-DESSUS PEUVENT DONC NE PAS VOUS ÊTRE APPLICABLES. LA PRÉSENTE VOUS CONFÈRE DES DROITS LÉGAUX PARTICULIERS; VOUS BÉNÉFICIEZ ÉGALEMENT D'AUTRES DROITS QUI VARIENT D'UN ÉTAT À UN AUTRE.

Cette garantie s'applique aux produits vendus aux États-Unis et au Canada uniquement.

Veuillez consulter la rubrique Centre SAV Milwaukee, dans la section Pièces et Services du site Web de MILWAUKEE, à l'adresse www.milwaukeetool.com, ou composer le 1-800-SAWDUST (1-800-729-3878) afin de trouver le centre de service de votre région le plus proche pour l'entretien, sous garantie ou non, de votre outil électrique Milwaukee.

REGLAS DE SEGURIDAD GENERALES

⚠️ ADVERTENCIA AL UTILIZAR UNA ASPIRADORA ELÉCTRICA, SIEMPRE SE DEBEN SEGUIR LAS PRECAUCIONES BÁSICAS, INCLUYENDO LAS SIGUIENTES: LEA TODAS LAS INSTRUCCIONES ANTES DE USAR LA ASPIRADORA. ANTES DE UTILIZAR LA ASPIRADORA, LEA ESTE MANUAL DEL OPERADOR, LOS MANUALES DE LA BATERÍA Y EL CARGADOR Y TODAS LAS ETIQUETAS DE LA ASPIRADORA, LA BATERÍA Y EL CARGADOR. HACER CASO OMISO DE LAS ADVERTENCIAS E INSTRUCCIONES PODRÍA PROVOCAR UNA DESCARGA ELÉCTRICA, INCENDIO O LESIONES GRAVES.

SEGURIDAD EN EL ÁREA DE TRABAJO

- Mantenga el área de trabajo limpia y bien iluminada. Las áreas desordenadas u oscuras son lugares propensos para los accidentes.
- Las aspiradoras tienen motores y otras partes que pueden producir chispas durante el uso normal. No use el extractor a una distancia menor de 9 metros en áreas donde puede haber materiales explosivos (como por ejemplo, bombas a gasolina y lugares donde se almacenan líquidos, como disolventes, limpiadores, solventes, etc.).
- No lo use en áreas donde hay polvos, líquidos o vapores explosivos.
- No lo use donde se utiliza oxígeno o anestésicos.
- No permita que se use como un juguete. Debe prestar mucha atención cuando usa el extractor en un lugar donde hay niños cerca.
- Ponga especial cuidado si lo usa en las escaleras.

SEGURIDAD ELÉCTRICA

- No aspire material húmedo. No use agua para aplacar el polvo.
- No manipule el paquete de baterías ni el aspiradora con las manos húmedas.

SEGURIDAD PERSONAL

- MANTÉNGASE ALERTA. Fíjese en lo que está haciendo y use el sentido común. No use el aspiradora si está cansado, distraído o bajo influencia de drogas, alcohol o medicamentos que puedan causar una disminución del control.
- Es posible que mientras el aspiradora está en funcionamiento despiada elementos extraños que pueden entrar en sus ojos y causar una lesión ocular. Use siempre gafas o anteojos de seguridad con protección lateral cuando está operando un aspiradora.

- Utilice una mascarilla facial o use una solución de extracción de polvo que cumpla con las normas de OSHA cuando trabaje en condiciones de mucho polvo. Las partículas de polvo pueden dañar sus pulmones.
- Evite un comienzo con accidentes. Asegúrese de que el interruptor está en la posición de apagado antes de insertar el paquete de baterías. Insertar el paquete de baterías en un aspiradora encendido puede producir accidentes.
- No se estire demasiado. Manténgase bien parado y en equilibrio todo el tiempo. Esto le permite controlar mejor el aspiradora en situaciones inesperadas.
- Mantenga el cabello, la ropa suelta, los dedos y todas las partes del cuerpo alejadas de los orificios y piezas en movimiento.
- Úselos sólo como se describe en este manual. Use sólo los accesorios recomendados por el fabricante.
- Evite el arranque accidental. Asegúrese de que el interruptor esté en la posición de apagado antes de conectarlo a una fuente de poder y/o batería, levantar o trasladar la herramienta. Trasladar herramientas con el dedo en el interruptor o energizar herramientas eléctricas que tienen el interruptor encendido propicia accidentes.

USO Y CUIDADO DE LAS HERRAMIENTAS ELÉCTRICAS

- No use el extractor sin colocar en su lugar el recipiente para el polvo y/o el filtro.
- No lo use para aspirar líquidos o combustibles inflamables, como por ejemplo gasolina. No lo use en áreas donde esos líquidos puedan estar presentes.
- No aspire nada que se esté quemando ni echando humo, como cigarrillos, cerillas o cenizas calientes.
- No aspire polvo de hollín, cemento, yeso ni revoque sin que el filtro esté en su lugar. Estas son partículas muy finas que pueden afectar el desempeño del motor o bien ser expulsados al aire.
- Este producto es adecuado para la recolección de polvo de sílice cuando se utiliza de acuerdo con estas instrucciones. Para reducir el riesgo de peligros en la salud por inhalación de otros vapores o polvo, no aspire materiales tóxicos, cancerígenos ni otras sustancias peligrosas, como por ejemplo asbestos, arsénico, bario, berilio, plomo, pesticidas u otras sustancias que pongan en riesgo su salud.
- Ponga especial cuidado cuando vacía tanques muy cargados.
- Para evitar la combustión espontánea, vacíe el recipiente para el polvo después de cada uso.
- No deje el aspiradora sin supervisión cuando el paquete de baterías está instalado. Extraiga el paquete de baterías cuando no usa el extractor y antes de hacerle mantenimiento.
- Desconecte la batería del aparato antes de hacer antes de realizar cualquier ajuste, cambiar accesorios o almacenar el aparato. Tales medidas preventivas de seguridad disminuyen el riesgo de que el aparato se encienda accidentalmente.
- No coloque ningún objeto en los orificios. No use con algún orificio bloqueado, manténgalo libre de polvo, pelusa, cabellos y de cualquier elemento que pueda disminuir la circulación del aire.

- Mantenimiento del aspiradora. Controle si hay algún defecto de alineación, traba de piezas móviles o cualquier otra condición que pueda afectar la operación de aspiradora. Si hay alguna avería, haga reparar el aspiradora antes de usarlo. Muchos accidentes se producen por herramientas en mal estado de conservación.

USO Y CUIDADO DE LAS HERRAMIENTAS CON BATERÍA

- Recargue únicamente con el cargador especificado por el fabricante. Un cargador que es adecuado para un tipo de batería puede crear un riesgo de incendio si se utiliza con otra batería.
- Utilice las herramientas eléctricas únicamente con baterías específicamente diseñadas. El uso de cualquier otra batería puede producir un riesgo de lesiones e incendio.
- Cuando la batería no esté en uso, manténgala alejada de otros objetos metálicos como sujetapapeles, monedas, llaves, clavos, tornillos u otros objetos metálicos pequeños que puedan formar una conexión de una terminal a otra. Crear un corto entre las terminales de la batería puede ocasionar quemaduras o un incendio.
- Bajo condiciones de maltrato, el líquido puede ser expulsado de la batería, evite el contacto. En caso de contacto accidental, lave con agua. Si el líquido entra en contacto con los ojos, busque además ayuda médica. El líquido expulsado de la batería puede causar irritación o quemaduras.
- No use una batería o herramienta que se haya dañado o modificado. Las baterías dañadas o modificadas pueden mostrar un comportamiento impredecible, causando incendios, explosión o riesgo de lesión.
- No exponga una batería o herramienta al fuego o a temperatura excesiva. La exposición a fuego o temperatura a más de 130° C (265° F) puede causar explosiones.
- Siga todas las instrucciones de carga y no cargue la batería o la herramienta fuera del rango de temperatura especificado en las instrucciones. La carga incorrecta o a temperaturas fuera del rango especificado puede dañar la batería y aumentar el riesgo de incendio.

MANTENIMIENTO

- Haga el mantenimiento de su herramienta eléctrica con una persona calificada que utiliza sólo repuestos originales. Esto asegurará que la herramienta eléctrica continúe siendo segura.
- No modifique ni intente reparar el aparato ni la batería (según el caso) excepto según lo indicado en las instrucciones para el uso y cuidado.

REGLAS ESPECIFICAS DE SEGURIDAD ASPIRADORA EN SECO/HUMEDO

- Nunca use la aspiradora si el tanque y/o los filtros no están instalados correctamente.
- Utilice protectores auditivos. La exposición al ruido puede causar pérdida auditiva.









- **⚠️ ADVERTENCIA** Para reducir el riesgo de lesiones, al momento de realizar trabajos en situaciones donde haya presencia de polvo, utilice la protección respiratoria adecuada o utilice una solución de extracción de polvo que cumpla con los requisitos de la OSHA.
- Válgase siempre de su sentido común y sea cuidadoso cuando utilice herramientas. No es posible anticipar todas las situaciones que podrían tener un desenlace peligroso. No utilice esta herramienta si no entiende estas instrucciones de uso o si considera que el trabajo a realizar supera sus capacidades, comuníquese con Milwaukee Tool o con un profesional capacitado para recibir capacitación o información adicional.
- Maintenir en l'état les étiquettes et les plaques d'identification. Des informations importantes y figurent. Si elles sont illisibles ou manquantes, contacter un centre de services et d'entretien MILWAUKEE pour un remplacement gratuit.

- **⚠️ ADVERTENCIA** Algunos polvos generados por el lijado eléctrico, aserrado, pulido, taladrado y otras actividades de construcción contienen químicos identificados como causantes de cáncer, defectos congénitos u otros daños reproductivos. Algunos ejemplos de estos químicos son:
 - plomo de pintura basada en plomo
 - dióxido de silicio de los ladrillos y el cemento y otros productos de albañilería y
 - arsénico y cromo de madera con tratamiento químico.Su riesgo por estas exposiciones varía, dependiendo de la frecuencia con que realice este tipo de trabajo. Para reducir su exposición a estos químicos: trabaje en un área bien ventilada y trabaje con equipo de seguridad aprobado, como mascarillas protectoras contra polvo especialmente diseñadas para filtrar partículas microscópicas.

LEA Y CONSERVE TODAS LAS INSTRUCCIONES PARA CONSULTARLAS EN EL FUTURO

PARA USO DOMÉSTICO O COMERCIAL.

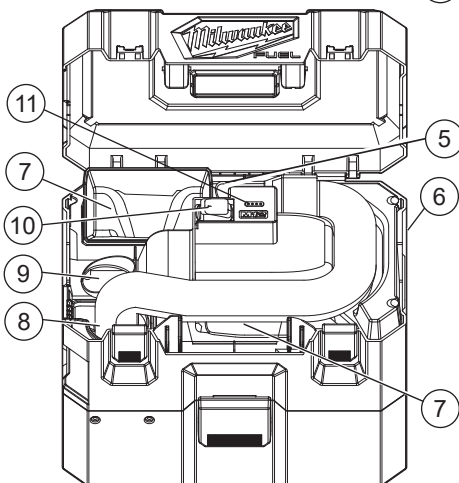
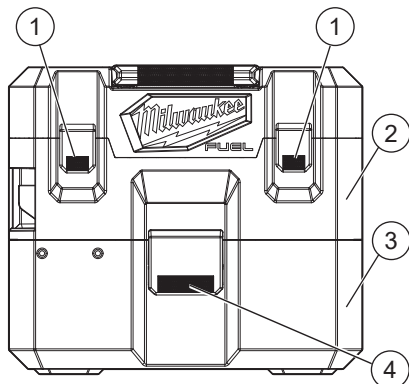
SIMBOLOGÍA

-  Volts
-  Corriente continua
-  Lea el manual del operador
-  Siempre use protección para los ojos
-  No paso
-  Desbloquear
-  Cerradura
-  UL Listing Mark para Canadá y Estados Unidos

ESPECIFICACIONES

- Cat No. 0960-20
- Volts 12V CD
- Tipo de batería M12™
- Tipo de cargador M12™
- Flujo de aire 21,1 litros por segundo (45 CFM)
- Succión máximo 10 kPa (42 inH2O)
- Capacidades máximo 6,1 L (1,6 Gal.)
- Temperatura ambiente recomendada para operar -18°C to 50°C (0°F to 125°F)
- Filtro de espuma** 49-90-2015
- Filtro HEPA lavable** 49-90-1900
- Bolsa para polvo de fieltro** 49-90-2016
- Herramienta de cepillo redondo** 49-90-2017
- Adaptar de herramienta eléctrica** 49-90-2018

DESCRIPCION FUNCIONAL



- | | |
|---|--|
| 1. Pestillos del compartimiento de las baterías | 7. Áreas de almacenamiento de accesorios |
| 2. Carcasa del motor | 8. Puerto de entrada |
| 3. Tanque | 9. Compartimiento para baterías |
| 4. Pestillos del tanque (frontal y trasero) | 10. Interruptor |
| 5. Válvula de entrada de la aspiradora | 11. Indicador de carga |
| 6. Puerto del soplador | |

ENSAMBLAJE

ADVERTENCIA Para reducir el riesgo de lesión, siempre retire las baterías antes de retirar el tanque.

PRECAUCIÓN Mantenga el filtro limpio. La eficacia de la aspiradora depende mucho del filtro. Un filtro sucio reducirá el flujo de aire y la eficacia general del sistema. Retirar del tanque y toque limpio.

ADVERTENCIA Recargue la batería sólo con el cargador especificado para ella. Para instrucciones específicas sobre cómo cargar, lea el manual del operador suministrado con su cargador y la batería.

Como se inserta/quita la batería en la herramienta

Para retirar la batería, presione los botones de liberación y jale de la batería para sacarla de la herramienta.

ADVERTENCIA Para reducir el riesgo de lesiones, extraiga siempre la batería antes de acoplar o desacoplar accesorios.

Para introducir la batería, deslícela en el cuerpo de la herramienta. Asegúrese de que quede bien firme en su posición.

Retirar/instalar el filtro

Use el filtro para aspirar materiales secos únicamente.

1. Extraiga la batería. Cierre y fije el compartimiento de la batería.
2. Libere los cierres del tanque y levante la carcasa del motor. Coloque boca abajo sobre una superficie plana.
3. Para retirar el filtro, gírelo 13 mm (1/2") hacia la izquierda y sáquelo de la carcasa del motor/jaula de flotación.
4. Vacíe toda la basura del tanque.

NOTA: Cuando corresponda, siga las directrices del sitio del trabajo que pertenecen al desecho de polvo de silicio.

5. Para instalar el filtro, deslícelo por encima de la jaula de flotación. Alinee las pestañas del filtro con las muescas de la carcasa del motor y gírelo 13 mm (1/2") hacia la derecha para fijarlo en su lugar.
6. Vuelva a colocar la carcasa del motor y fije ambos cierres.

Aspirador/soplador

La aspiradora puede usarse para aspirar desechos o como soplador, dependiendo el puerto que use.

1. Para aspirar los desechos, inserte el extremo grande de la manguera en el puerto de entrada de la carcasa del motor, alineando las pestañas en la manguera con las muescas del puerto. Gire para fijar y formar un ajuste firme.
2. Para usar el soplador, inserte el extremo grande de la manguera en el puerto del soplador de la carcasa del motor, alineando las pestañas en la manguera con las muescas del puerto. Gire para fijar y formar un ajuste firme.

ADVERTENCIA Utilice únicamente accesorios específicamente recomendados para esta herramienta. El uso de accesorios no recomendados podría resultar peligroso.

Instalación/remoción de los accesorios
Para instalar las boquillas, mangueras o extensiones, empuje el accesorio en la entrada de la aspiradora.

OPERACION

ADVERTENCIA Con el fin de minimizar el riesgo de lesiones, siempre utilice la protección de ojos adecuada indicada para cumplir con lo dispuesto en la norma ANSI Z87.1.

Al momento de realizar trabajos en situaciones donde haya presencia de polvo, utilice la protección respiratoria adecuada o utilice una solución de extracción de polvo que cumpla con los requisitos de la OSHA.

Para reducir el riesgo de incendio y lesiones, no use la herramienta para aspirar materiales inflamables ni combustibles.

Vacíe el tanque antes de usarlo.

Antes de usar, asegúrese de que el filtro y la jaula de flotación estén instalados correctamente. Retire el filtro antes de cualquier operación de aspirado de material húmedo.

Indicador de carga

Para determinar la cantidad de carga que queda en la batería, encienda la herramienta. El medidor de combustible se iluminará durante 2-3 segundos. Cuando se deja menos del 10% de carga, 1 luz en el medidor de combustible parpadeará 4 veces.

Para indicar el final de la carga, 1 luz en el medidor de combustible parpadeará 8 veces y la herramienta no funcionará. Cargue el paquete de baterías.

Si la batería se calienta demasiado, las luces del medidor de combustible parpadearán en un patrón alterno y la herramienta no funcionará. Deje que la batería se enfríe.

Encender y apagar la aspiradora

Para encender la aspiradora en modo bajo, presione el interruptor a la posición de Velocidad uno (I).

Para encender la aspiradora en modo alto, presione el interruptor a la posición de Velocidad dos (II).

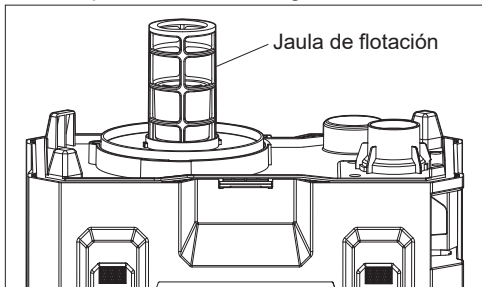
Para apagar la aspiradora, presione el interruptor a la posición de OFF (O).

PRECAUCIÓN: Si el flotador está limpio, se mueve libremente y la succión no se apaga cuando se llena el tanque, póngase en contacto con una instalación de servicio de MILWAUKEE para reparaciones. Un mal funcionamiento de la herramienta puede causar lesiones personales o daños a la propiedad.

Operación de aspirado en superficie húmeda

Para la operación de recogida en húmedo, se recomienda utilizar el filtro de espuma (paquete único, Cat. No 49-90-2015).

1. Retire TODA la mugre y basura que encuentre en el tanque.
2. Retire el filtro. Asegúrese de que la jaula de flotación permanezca en su lugar.



3. Una jaula flotante desactiva la succión cuando el tanque está lleno. Asegúrese de que el flotador esté limpio y se mueva libremente en la jaula para verificar que la válvula de flotación funcione.
4. Encienda la aspiradora y comience a aspirar.
5. Apague la aspiradora inmediatamente después de terminar un trabajo de aspirado de material húmedo o cuando el tanque esté lleno y listo para vaciarse.
NOTA: Si se apaga la succión, apague la aspiradora inmediatamente y vacíe el tanque.
6. Extraiga la batería.
7. Levante la manguera para drenar cualquier exceso de líquido en el tanque.
8. Retire la carcasa del motor y vacíe el desecho líquido en un drenaje apropiado.
9. Limpie el interior del tanque y accesorios de aspirado periódicamente; con mayor frecuencia cuando se utilice para aspirar materiales húmedos y pegajosos. Use agua tibia y jabonosa.

Apagado de succión automático

Cuando aspire líquidos, un flotador interno se eleva hasta que se aloja contra un sello en la entrada del motor, apagando la succión. Cuando esto sucede, el motor hará un ruido con un tono más alto que lo normal y se reducirá drásticamente la succión. Si esto ocurre, apague inmediatamente la aspiradora.

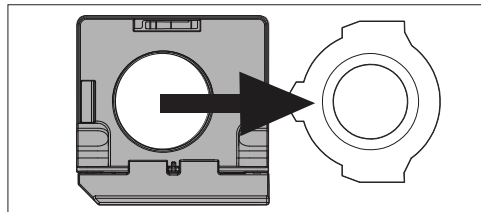
PRECAUCIÓN: No apagar la unidad después de que se eleva el flotador y se apaga la succión provocará un daño extenso al motor. Para seguir usando, vacíe el desecho líquido del tanque.

NOTA: Si la aspiradora se inclina accidentalmente, podría perder fuerza de succión. Apague la aspiradora y regrésela a la posición recta. El flotador regresará a su posición normal.

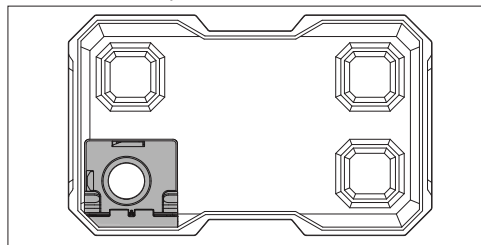
Recolección de polvo fino

Utilice la bolsa de polvo de vellón para recoger partículas de polvo fino.

1. Deslice el soporte de la bolsa de polvo en el orificio de montaje de la bolsa de polvo de vellón.



2. Cuelgue la bolsa de polvo en la placa de montaje dentro del tanque.



Instalación de la placa para montar del gancho de la aspiradora

La aspiradora viene equipada con un gancho y una placa para montar que se acopla.

Posicione la placa para montar como lo desee, considerando la orientación de la pared.

La placa para montar debe instalarse en una superficie plana y uniforme. Una superficie no uniforme podría causar que la placa para montar se deforme, provocando así posibles problemas al instalar la aspiradora.

Utilice los siguientes sujetadores recomendados en los cuatro orificios de las esquinas.

Si la instalación es en madera:

- Instale en una madera con dimensiones de 2 x 4 o mayores, o triplay grueso de 19 mm (3/4").

- Utilice cuatro tornillos para madera Ø 6 x 32 mm (Ø 1/4" x 1-1/4").

Si la instalación es en concreto:

- Utilice cuatro anclas de concreto aptas.

Almacenamiento

Antes de guardar la aspiradora, vacíe y limpie el tanque, el filtro y los accesorios. Extraiga la batería.

MANTENIMIENTO

ADVERTENCIA Para reducir el riesgo de una lesión, desconecte siempre la herramienta antes de darle cualquier mantenimiento. Nunca desarme la herramienta ni trate de hacer modificaciones en el sistema eléctrico de la misma. Acuda siempre a un Centro de Servicio MILWAUKEE para TODAS las reparaciones.

Mantenimiento de las herramientas

Adopte un programa regular de mantenimiento y mantenga su herramienta en buenas condiciones. Inspeccione la herramienta para problemas como ruidos indebidos, desalineadas o agarradas de partes móviles, piezas rotas o cualquier otra condición que pueda afectar el funcionamiento de la herramienta. Envíe su herramienta al Centro de Servicio MILWAUKEE para reparación. Después de 6 meses a un año, dependiendo del uso dado, envíe su herramienta al Centro de Servicio MILWAUKEE más cercano para la inspección. Si la herramienta no arranca u opera a toda su potencia con una batería completamente cargada, limpie, con una goma o borrador, los contactos de la batería y de la herramienta. Si aun así la herramienta no trabaja correctamente, regrésela, con el cargador y la batería, a un centro de servicio MILWAUKEE.

ADVERTENCIA Para reducir el riesgo de lesiones, descarga eléctrica o daño a la herramienta, nunca la sumerja en líquidos ni permita que estos fluyan dentro de la misma.

Limpieza

Limpie el polvo y suciedad de las ventilas. Mantenga los mangos limpios, secos y libres de aceite o grasa. Use solo jabón neutro y un trapo húmedo para limpiar, ya que algunos substancias y solventes limpiadores son dañinos a los plásticos y partes aislantes. Algunos de estos incluyen: gasolina, turpentina, thinner, lacas, thinner para pinturas, solventes para limpieza con cloro, amoníaco y detergentes caseros que tengan amonía. Nunca usa solventes inflamables o combustibles cerca de una herramienta.

Limpieza del filtro

Para limpiar el filtro, dé pequeños golpecitos, o remoje en agua.

NOTA: Si lo limpia con agua, deje que el filtro se seque durante 24 horas antes de utilizar la aspiradora. Reemplace el filtro si está dañado o disminuye la succión.

Reparaciones

Si su herramienta, batería o cargador están dañados, envíela al centro de servicio autorizado más cercano.

ACCESORIOS

ADVERTENCIA Utilice sólo los accesorios específicamente recomendados. Otros accesorios puede ser peligroso.

Para una lista completa de accesorios, visite nuestro sitio en Internet: www.milwaukeekeetool.com o póngase en contacto con un distribuidor.

SOPORTE DE SERVICIO - MEXICO

CENTRO DE ATENCION A CLIENTES

Techtronic Industries Mexico, S.A. de C.V.

Av. Presidente Masarik 29 Piso 7

11560 Polanco V Seccion

Miguel Hidalgo, Distrito Federal, México

01 (800) 030-7777 o (55) 4160-3540

Lunes a Viernes (9am a 6pm)

O contáctanos en www.milwaukeekeetool.com.mx

GARANTÍA LIMITADA - E.U.A. Y CANADÁ

Cada herramienta eléctrica* de MILWAUKEE (ver excepciones a continuación) está garantizada para el comprador original únicamente de que no tenga material y mano de obra defectuosos. Sujeto a ciertas excepciones, MILWAUKEE reparará o reemplazará cualquier parte en una herramienta eléctrica que tenga defectos de material o mano de obra según lo determine MILWAUKEE mediante una revisión, por un periodo de cinco (5) años** después de la fecha de compra a menos que se indique lo contrario. Al devolver la herramienta eléctrica a un Centro de Servicio de la fábrica de MILWAUKEE o a una Estación de Servicio Autorizada de MILWAUKEE, se requiere que el flete esté pagado por adelantado y asegurado. Se debe incluir una copia del comprobante de compra con el producto devuelto. Esta garantía no aplica a daños que MILWAUKEE determine que son ocasionados por reparaciones o intentos de reparaciones realizados por una persona que no sea personal autorizado de MILWAUKEE, uso indebido, alteraciones, maltrato, desgaste normal, falta de mantenimiento o accidentes.

Desgaste normal: Muchas herramientas eléctricas necesitan un reemplazo periódico de partes y servicio para lograr el mejor desempeño. Esta garantía no cubre la reparación cuando el uso normal ha agotado la vida de una parte, incluyendo sin limitar a mandriles, cepillos, cables, zapatas de la sierra, abrazaderas de la hoja, anillos en O, sellos, protectores, hojas de desatornilladores, pistones, herrajes, levantadores y arandelas de cubierta de los protectores.

*Esta garantía no cubre clavadoras y grapadoras neumáticas, pistola de pintura a presión, baterías inalámbricas, generadores de energía portátil de gasolina, herramientas de mano, palanca y cadena de mano de polipasto - eléctricas, indumentaria calefata M12™, producto reacondicionado y productos de prueba y medición. Existen garantías por separado y distintas disponibles para estos productos.

**El periodo de garantía para los radios para obra, puerto de energía M12™, fuente de poder M18™, ventiladores para obra y carretillas de trabajo industrial Trade Titan™ es de un (1) año a partir de la fecha de compra. El periodo de garantía para los M18 FUEL™ 1" llaves de impacto de alto torque con d en empuñadura, cables de limpieza de drenaje y AIRSNAKE™ los accesorios de pistola de aire de limpieza de drenaje, y los niveles láser mediante USB REDLITHIUM® es de dos (2) años a partir de la fecha de compra. El periodo de garantía de la pistola de calor compacta M18™, Extractor de polvo de 8 galones, M18™ enmarcar clavadoras, M18 FUEL™ 1/2" yunque prolongado torque controlado llave de impacto con ONE-KEY™, M18 FUEL™ 1" llave de impacto de alto esfuerzo de torsión con ONE-KEY™, M18 FUEL™ de 7.6 L compacto compresor silencioso, y los niveles láser M12™ es de tres (3) años a partir de la fecha de compra. El periodo de garantía de las lámparas de LED en la Lámpara de trabajo LED y el Bulbo mejorado de LED para la Luz de trabajo es por la vida del producto sujeto a las limitaciones anteriores. Si durante el uso normal el LED o Bulbo de LED falla, la parte será reemplazada sin cargo.

No se requiere el registro de la garantía para obtener la garantía correspondiente a un producto de herramienta eléctrica de MILWAUKEE. La fecha de manufactura del producto se utilizará para determinar el periodo de garantía si no se proporciona comprobante de compra al solicitar el servicio en garantía.

LA ACEPTACIÓN DE LOS REMEDIOS EXCLUSIVOS DE REPARACIÓN Y REEMPLAZO AQUÍ DESCRITOS ES UNA CONDICIÓN DEL CONTRATO PARA LA COMPRA DE TODO PRODUCTO DE MILWAUKEE. SI USTED NO ACEPTA ESTA CONDICIÓN, NO DEBE COMPRAR EL PRODUCTO. MILWAUKEE NO SERÁ RESPONSABLE EN NINGÚN CASO DE DAÑOS INCIDENTALES, ESPECIALES, EMERGENTES O PUNITIVOS NI DE NINGÚN COSTO, HONORARIOS LEGALES, GASTOS, PÉRDIDAS O DEMORAS ALEGADOS COMO CONSECUENCIA DE ALGÚN DAÑO, FALLA O DEFECTO EN NINGÚN PRODUCTO, INCLUYENDO, ENTRE OTROS, RECLAMACIONES POR PÉRDIDA DE UTILIDADES. ALGUNOS ESTADOS NO PERMITEN LA EXCLUSIÓN O LIMITACIÓN DE RESPONSABILIDAD POR DAÑOS INCIDENTALES O EMERGENTES, POR LO QUE LA ANTERIOR LIMITACIÓN O EXCLUSIÓN PODRÍA NO APLICARSE EN SU CASO. ESTA GARANTÍA ES EXCLUSIVA Y REEMPLAZA TODAS LAS DEMÁS GARANTÍAS EXPRESAS, ESCRITAS U ORALES, EN LA MEDIDA EN QUE LO PERMITA LA LEY, MILWAUKEE DESCONOCE CUALQUIER GARANTÍA IMPLÍCITA, INCLUYENDO SIN LIMITACIÓN CUALQUIER GARANTÍA IMPLÍCITA DE COMERCIABILIDAD O IDONEIDAD PARA UN FIN O USO ESPECÍFICO; EN LA MEDIDA EN QUE DICHO DESCONOCIMIENTO NO SEA PERMITIDO POR LA LEY, DICHAS GARANTÍAS IMPLÍCITAS SE LIMITAN A LA DURACIÓN DE LA GARANTÍA EXPRESA CORRESPONDIENTE SEGÚN SE DESCRIBIÓ ANTERIORMENTE. ALGUNOS ESTADOS NO PERMITEN LIMITACIONES SOBRE LA DURACIÓN DE UNA GARANTÍA IMPLÍCITA, POR LO QUE LA ANTERIOR LIMITACIÓN PODRÍA NO APLICARSE A USTED. ESTA GARANTÍA LE DA DERECHOS LEGALES ESPECÍFICOS Y USTED PODRÍA ADEMÁS TENER OTROS DERECHOS QUE VARIAN DE UN ESTADO A OTRO.

Esta garantía aplica al producto vendido en los Estados Unidos y Canadá únicamente.

Consulte la "Búsqueda de centro de servicio" en la sección de Partes y servicio del sitio web de MILWAUKEE en www.milwaukeetool.com o llame al 1.800.SAWDUST (1.800.729.3878) para localizar su centro de servicio más cercano para darle servicio con y sin garantía a una herramienta eléctrica de Milwaukee.

PÓLIZA DE GARANTÍA - VALIDA SOLO PARA MÉXICO, AMÉRICA CENTRAL Y EL CARIBE

La garantía de TECHTRONIC INDUSTRIES es por 5 años a partir de la fecha original de compra.

Esta tarjeta de garantía cubre cualquier defecto de material y mano de obra en ese Producto.

Para hacer válida esta garantía, presente esta tarjeta de garantía, cerrada/sellada por el distribuidor o la tienda donde compró el producto, al Centro de Servicio Autorizado (ASC). O, si esta tarjeta no se ha cerrado/sellado, presente la prueba original de compra a ASC. Llame 55 4160-3547 para encontrar el ASC más cercano, para servicio, partes, accesorios o componentes.

Procedimiento para hacer válida esta garantía

Lleve el producto a ASC, junto con la tarjeta de garantía cerrada/sellada por el distribuidor o la tienda donde compró el producto, y cualquier pieza o componente defectuoso se reemplazará sin costo para usted. Cubriremos todos los costos de flete con relación a este proceso de garantía

Excepciones

Esta garantía no tendrá validez en las siguientes situaciones:

- Cuando el producto se use de manera distinta a la que indica el manual del usuario final o de instrucciones.
- Cuando las condiciones de uso no sean normales.
- Cuando otras personas no autorizadas por TECHTRONIC INDUSTRIES modifiquen o reparen el producto.

Nota: si el juego de cables está dañado, tiene que reemplazarse en un Centro de Servicio Autorizado para evitar riesgos eléctricos.

CENTRO DE SERVICIO Y ATENCIÓN

Llame al 55 4160-3547

IMPORTADO Y COMERCIALIZADO POR
TECHTRONIC INDUSTRIES, MÉXICO, S.A. DE C.V.
Miguel de Cervantes Saavedra No.301 Piso 5, Torre Norte
11520 Colonia Ampliación Granada
Miguel Hidalgo, Ciudad de Mexico, Mexico

Modelo: _____

Fecha de Compra: _____

Sello del Distribuidor: _____

MILWAUKEE TOOL
13135 West Lisbon Road
Brookfield, WI 53005 USA

58140960d4
08/20

01613400102Q-03(A)
Printed in China