

PRODUCT SPECIFICATIONS

Elkay Fireclay 33" x 19-15/16" x 9-3/16" 60/40 Double Bowl Farmhouse Workstation Sink Kit with Aqua Divide, White. Sink is molded from fine fireclay with a durable porcelain glaze providing a finish that is non-porous and resists staining. Naturally sound deadening and Center drain placement.

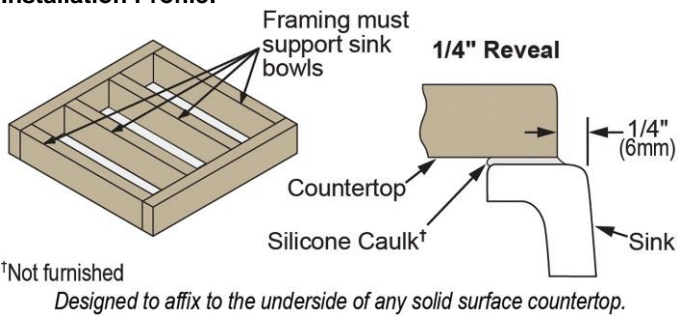
| | |
|------------------------------|----------------------------|
| Installation Type: | Farmhouse, Sink Kits |
| Material: | Fireclay |
| Special Features: | Workstation |
| Finish: | White (WH) |
| Number of Bowls: | 2 |
| Sink Dimensions: | 33" x 19-15/16" x 10-1/8" |
| Bowl 1 Dimensions: | 12" x 16-1/4" x 9-1/8" |
| Bowl 2 Dimensions: | 18-3/8" x 16-1/4" x 9-1/8" |
| Drain Size: | 3-1/2" (89mm) |
| Drain Location: | Center |
| Minimum Cabinet Size: | 36" |
| Mounting Hardware: | No |
| Template Included: | No |

Special Note: Reserve Selection products are sold exclusively, in-store and online, through authorized wholesalers. Sink is reversible offering the option of a traditional flat front or a decorative band feature.



White
(WH)

Installation Profile:



†Not furnished
Designed to affix to the underside of any solid surface countertop.



Included with Product: one LKCB1217HW cutting board, one LKBG1115SS bottom grid, one LKBG1715SS bottom grid, two LK99FC drains, and a LKCLKIT cleaning kit.

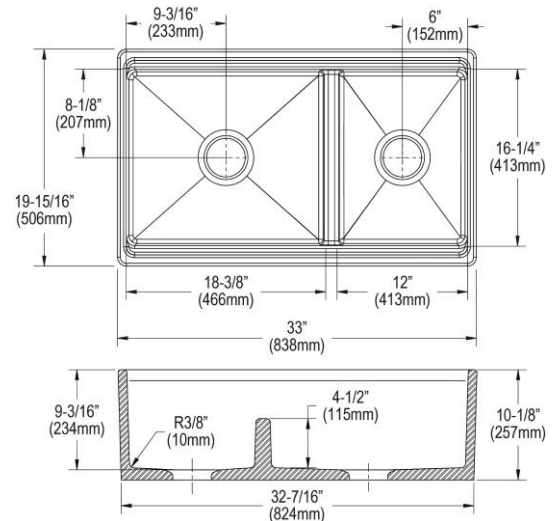
▼ Ships in multiple boxes.

AMERICAN PRIDE. A LIFETIME TRADITION.

Like your family, the Elkay family has values and traditions that endure. For almost a century, Elkay has been a family-owned and operated company, providing thousands of jobs that support our families and communities.

Product Compliance: ASME A112.19.2/CSA B45.1
Accessory: ASME A112.18.2/CSA B125.2

[Clean and Care Manual \(PDF\)](#)
[Installation Instructions \(PDF\)](#)
[Warranty \(PDF\)](#)



PART: _____ QTY: _____

PROJECT: _____



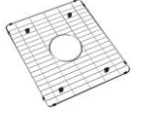

CONTACT: _____



DATE: _____

NOTES: _____

APPROVAL: _____

In keeping with our policy of continuing product improvement, Elkay reserves the right to change product specifications without notice. Please visit elkay.com for the most current version of Elkay product specification sheets. This specification describes an Elkay product with design, quality, and functional benefits to the user. When making a comparison of other producers' offerings, be certain these features are not overlooked.

| Included Accessories | | |
|----------------------------|--|---|
| LK99FC | Elkay Deluxe Drain 3-1/2" Type 304 Stainless Steel Body for Fireclay Sinks Spec Sheet (PDF) |  |
| LKBG1115SS | Elkay Stainless Steel 10-7/16" x 14-9/16" x 1-5/16" Bottom Grid Spec Sheet (PDF) |  |
| LKBG1715SS | Elkay Stainless Steel 16-3/4" x 14-9/16" x 1-5/16" Bottom Grid Spec Sheet (PDF) |  |
| LKCB1217HW | Elkay Hardwood 12-1/2" x 17-3/8" x 1-1/2" Cutting Board Spec Sheet (PDF) |  |

| Optional Accessories | | |
|--------------------------|---|---|
| LK99FC | Elkay Deluxe Drain 3-1/2" Type 304 Stainless Steel Body for Fireclay Sinks Spec Sheet (PDF) |  |
| LKEC2037 | Elkay Explore Three Hole Bridge Faucet with Pull-down Spray and Lever Handles Spec Sheet (PDF) |  |

In keeping with our policy of continuing product improvement, Elkay reserves the right to change product specifications without notice. Please visit elkay.com for the most current version of Elkay product specification sheets. This specification describes an Elkay product with design, quality, and functional benefits to the user. When making a comparison of other producers' offerings, be certain these features are not overlooked.