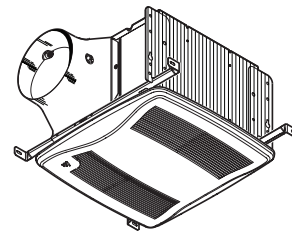


# MODEL QTXE110150DCS QT DC SERIES HUMIDITY SENSING FAN



### DESCRIPTION

#### BLOWER:

- Plug-in, permanently lubricated, brushless DC motor - engineered for continuous operation
- Dynamically balanced centrifugal blower wheel for quiet, efficient performance
- Low RPM for quiet operation
- Airflow-smoothing baffles reduce turbulence
- Selectable setting of 110, 130 or 150 CFM

#### HOUSING:

- Rugged, galvanized steel construction
- Metal, 6" round damper/duct connector with no metallic clatter
- 7-5/8" height allows for 2" x 8" ceiling installations
- Sturdy, easy, four-point mounting directly to joist
- Includes unique, patented spacer for mounting to engineered "I" joists
- Includes hanger bars to position housing anywhere between 16" to 24"-on-center joists

#### HUMIDITY SENSING TECHNOLOGY:

- Detects humidity at the ceiling where it is greatest, which minimizes reaction time.
- Automatically turns fan on when either of these conditions is detected:
  - Rapid to moderate humidity increase;
  - Humidity above set point (50%-80% RH).
- Humidity level is set with easily accessible user adjustment.
- Can be used to comply with CALGreen standards.
- Two wire manual operation for odor control - Turns fan ON when power line through wall switch is cycled ON, OFF and back ON.
- After humidity has stabilized and is below set point or after turned on through power line cycling, fan remains on until user adjustable (5 to 60 minutes) time delay set point is reached.

U.L. Listed for use over bathtubs and showers when connected to a GFCI protected branch circuit (ceiling mount only).

3-Year Warranty



Broan Hartford, Wisconsin [www.broan.com](http://www.broan.com) 800-558-1711  
 Venmar Ventilation ULC Drummondville (Quebec), Canada [www.broan.ca](http://www.broan.ca) 877-896-1119

REFERENCE	QTY.	REMARKS	Project
			Location
			Architect
			Engineer
			Contractor
			Submitted by <span style="float: right;">Date</span>

# PERFORMANCE RATINGS

## MODEL QTXE110150DCS QT DC SERIES HUMIDITY SENSING FAN

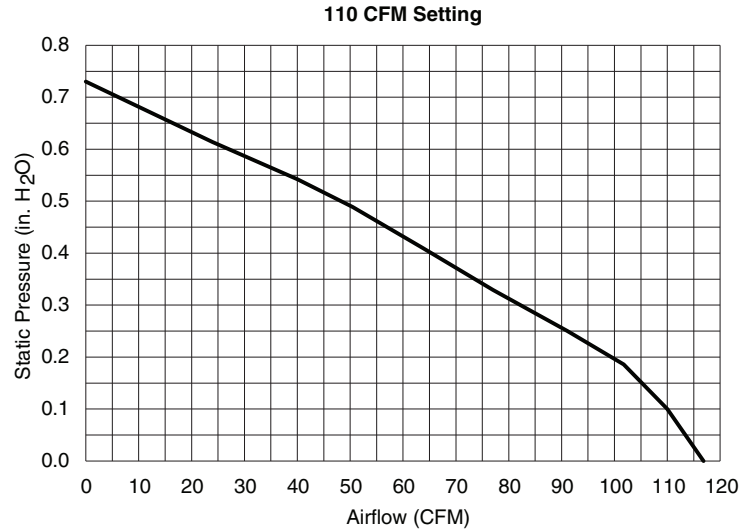
### HVI PERFORMANCE

Speed Setting	Static Pressure (In. H <sub>2</sub> O)	Airflow (CFM)	Sound (Sones)	Power (Watts)	Efficacy (CFM/W)
110	0.1	110	< 0.3	8.3	13.8
	0.25	91	0.9	12.0	7.9
130	0.1	130	0.4	10.3	12.8
	0.25	130	1.2	17.7	7.4
150	0.1	150	0.7	13.9	11.0
	0.25	144	1.4	21.1	6.9



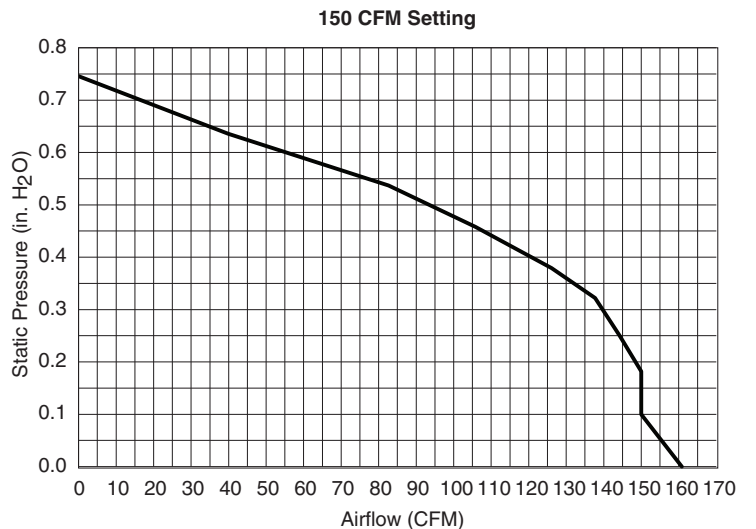
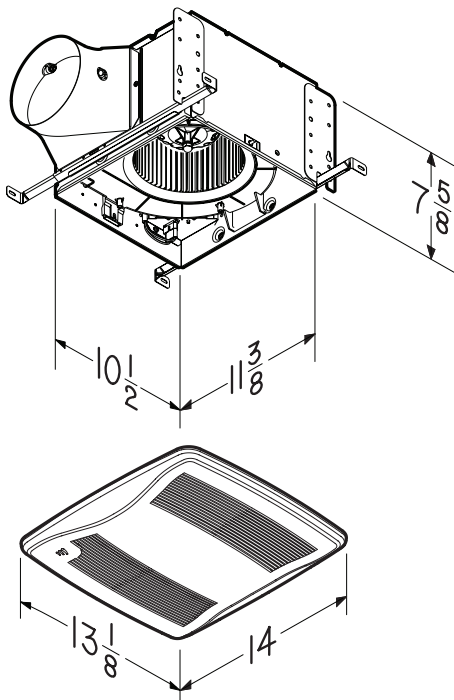
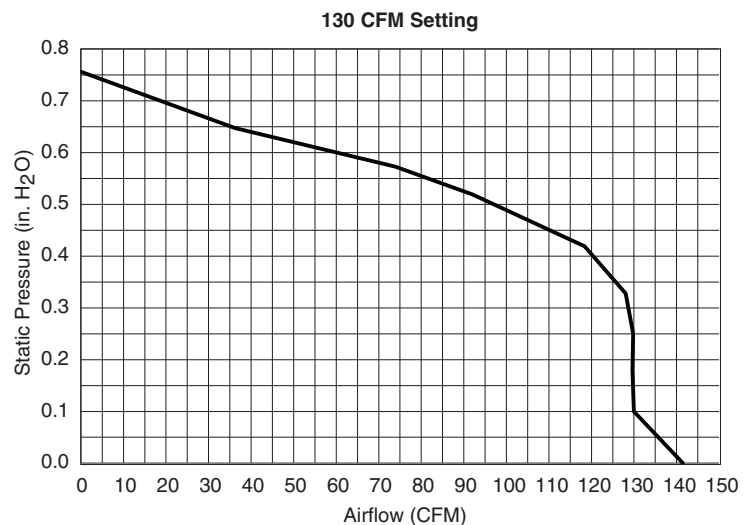
HVI-2100 CERTIFIED RATINGS comply with new testing technologies and procedures prescribed by the Home Ventilating Institute, for off-the-shelf products, as they are available to consumers. Product performance is rated at 0.1 in. static pressure, based on tests conducted in a state-of-the-art test laboratory. Sones are a measure of humanly-perceived loudness, based on laboratory measurements.

### AIR FLOW PERFORMANCE



### ELECTRICAL & WEIGHT

Volts	Hz	Amps	Shipping Weight
120	60	0.5	12.4 lbs.



Broan Hartford, Wisconsin [www.broan.com](http://www.broan.com) 800-558-1711  
 Venmar Ventilation ULC Drummondville (Quebec), Canada [www.broan.ca](http://www.broan.ca) 877-896-1119