



READ AND SAVE THESE INSTRUCTIONS

Installer: leave this guide with homeowner.
Register your product online at www.broan.com/register.

LIRE CES DIRECTIVES ET LES CONSERVER

Installateur : veuillez laisser ce guide au propriétaire.
Enregistrez votre produit en ligne à : www.broan.com/register.

LEA Y CONSERVE ESTAS INSTRUCCIONES

Aviso al instalador: deje esta guía con el dueño de la casa.
Registre su producto en línea en www.broan.com/register.

LP50100DC

LoProfile DC
Ventilation Fan

INSTALLATION GUIDE

Ventilateur à
profil surbaissé

GUIDE D'INSTALLATION

Ventilador de
bajo perfil

GUÍA DE INSTALACIÓN

Easy installation
Installation facile
Instalación sencilla

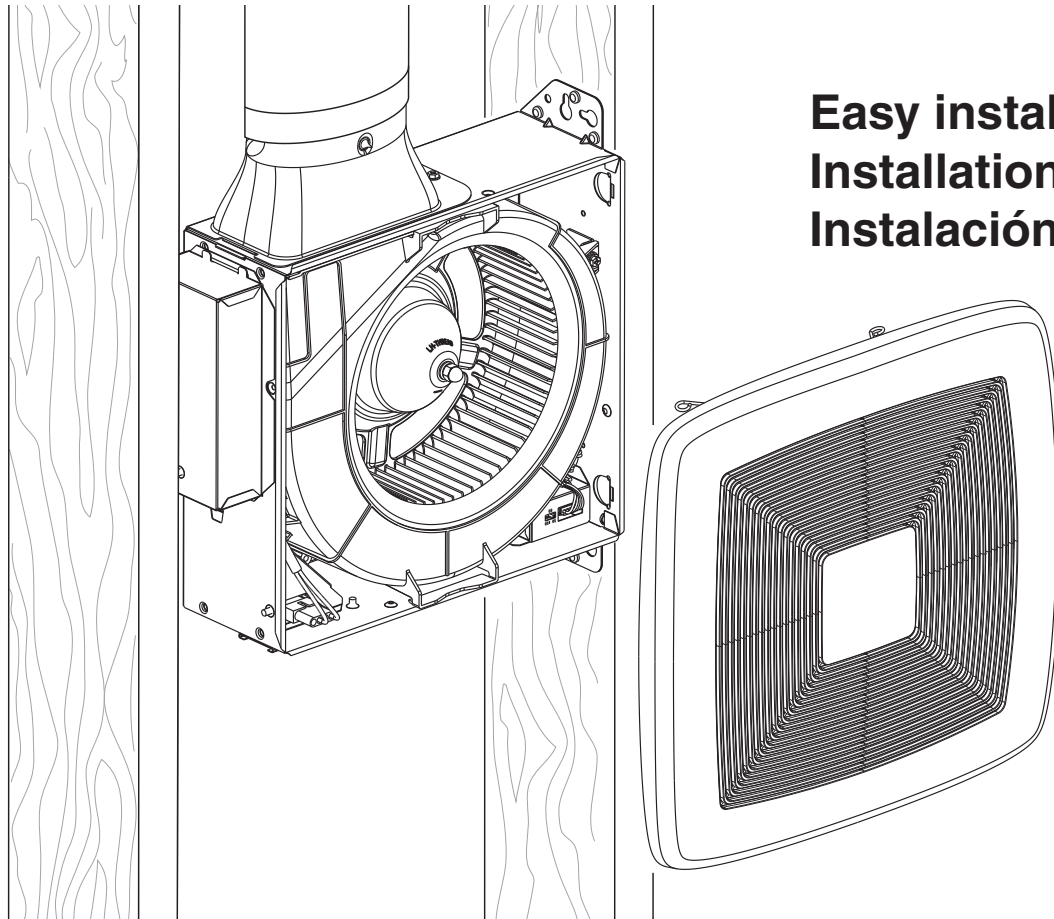


Table of Contents

Warnings and Cautions	2
Typical Installation	2
Installation	3-6
Operation	7
Cleaning and Maintenance	7
Troubleshooting	7

Table des matières

Avertissements et mises en garde	8
Installation type	8
Installation	9-12
Fonctionnement	13
Nettoyage et entretien	13
Dépannage	13

Índice

Advertencias y precauciones	14
Instalación típica	14
Instalación	15-18
Funcionamiento	19
Limpieza y mantenimiento	19
Resolución de problemas	19

WARNING  

TO REDUCE THE RISK OF FIRE, ELECTRIC SHOCK, OR INJURY TO PERSONS, OBSERVE THE FOLLOWING:

1. Use this unit only in the manner intended by the manufacturer. If you have questions, contact the manufacturer at the address or telephone number listed in the warranty.
2. Before servicing or cleaning unit, switch power off at service panel and lock the service disconnecting means to prevent power from being switched on accidentally. When the service disconnecting means cannot be locked, securely fasten a prominent warning device, such as a tag, to the service panel.
3. Installation work and electrical wiring must be done by a qualified person(s) in accordance with all applicable codes and standards, including fire-rated construction codes and standards.
4. Sufficient air is needed for proper combustion and exhausting of gases through the flue (chimney) of fuel burning equipment to prevent backdrafting. Follow the heating equipment manufacturer's guideline and safety standards such as those published by the National Fire Protection Association (NFPA), and the American Society for Heating, Refrigeration and Air Conditioning Engineers (ASHRAE), and the local code authorities.
5. When cutting or drilling into wall or ceiling, do not damage electrical wiring and other hidden utilities.
6. Ducted fans must always be vented to the outdoors.
7. Acceptable for use over a tub or shower (in the ceiling only) when connected to a GFCI (Ground Fault Circuit Interrupter) - protected branch circuit.
8. This unit must be grounded.

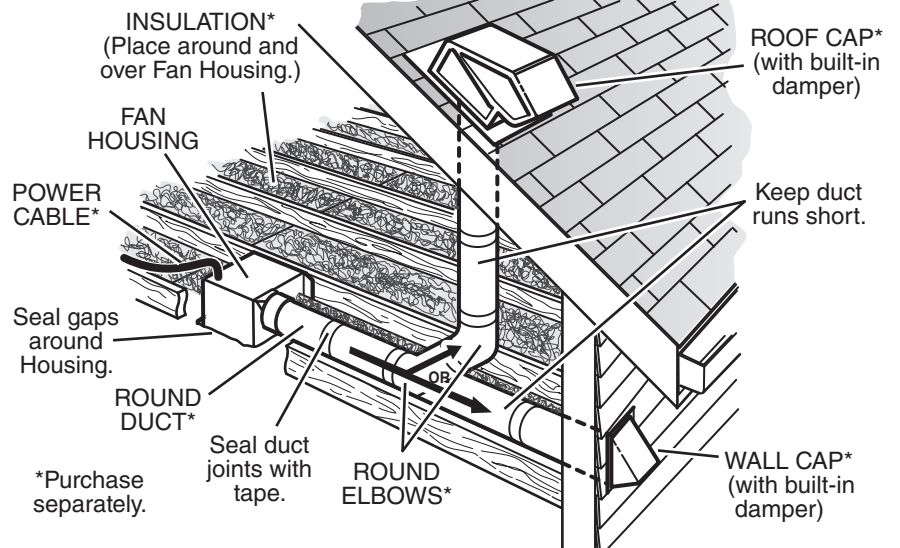
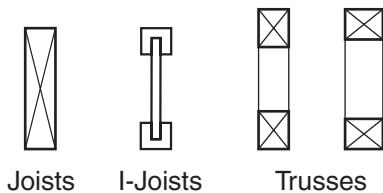
CAUTION 

1. For general ventilating use only. Do not use to exhaust hazardous or explosive materials and vapors.
2. When installed in a wall or sloped ceiling, the duct connector must point up.
3. To avoid motor bearing damage and noisy and/or unbalanced impellers, keep drywall spray, construction dust, etc. off power unit.
4. Please read specification label on product for further information and requirements.



Typical Installation

- Attaches to 2" x 4" or greater wall studs or ceiling joists.



CEILING INSTALLATION SHOWN

The ducting from this fan to the outside of the building has a strong effect on the air flow, noise and energy use of the fan. Use the shortest, straightest duct routing possible for best performance, and avoid installing the fan with smaller ducts than recommended. Insulation around the ducts can reduce energy loss and inhibit mold growth. Fans installed with existing ducts may not achieve their rated airflow.

4-inch round rigid metal duct is recommended for best performance.

Installation

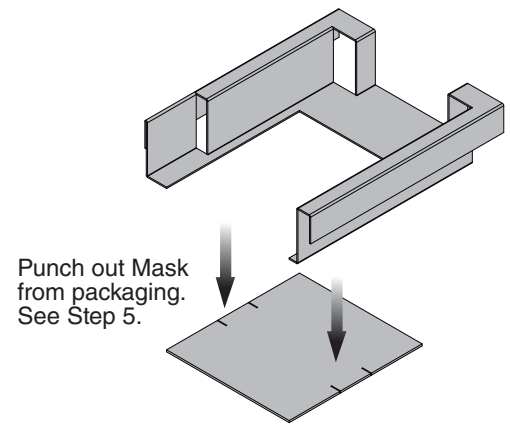
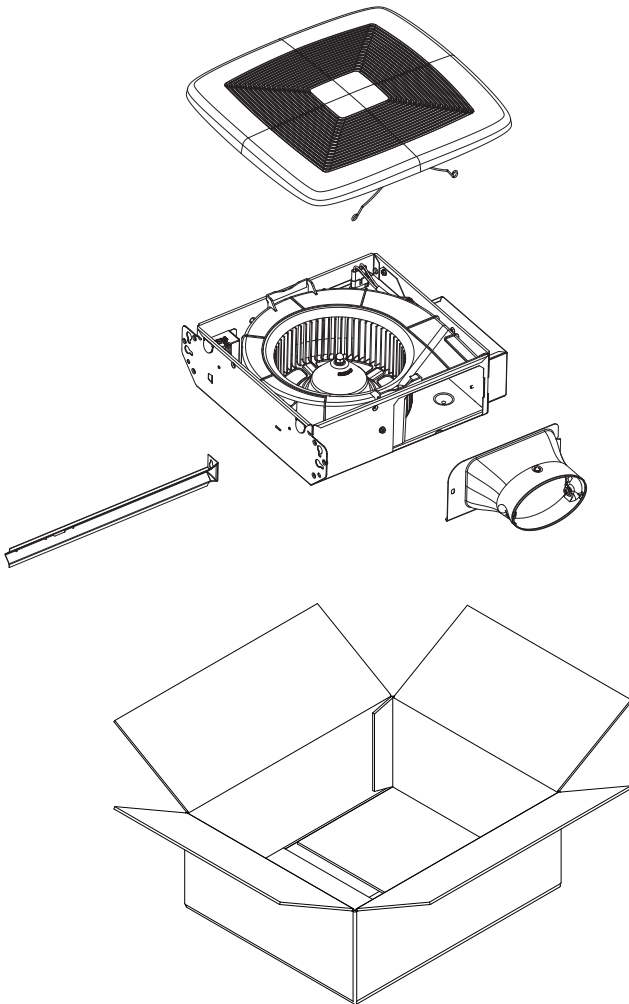
Tools needed

- Power screwdriver with a Phillips bit
- Phillips screwdriver
- Wire insulation stripper
- Wire cutter

Materials needed

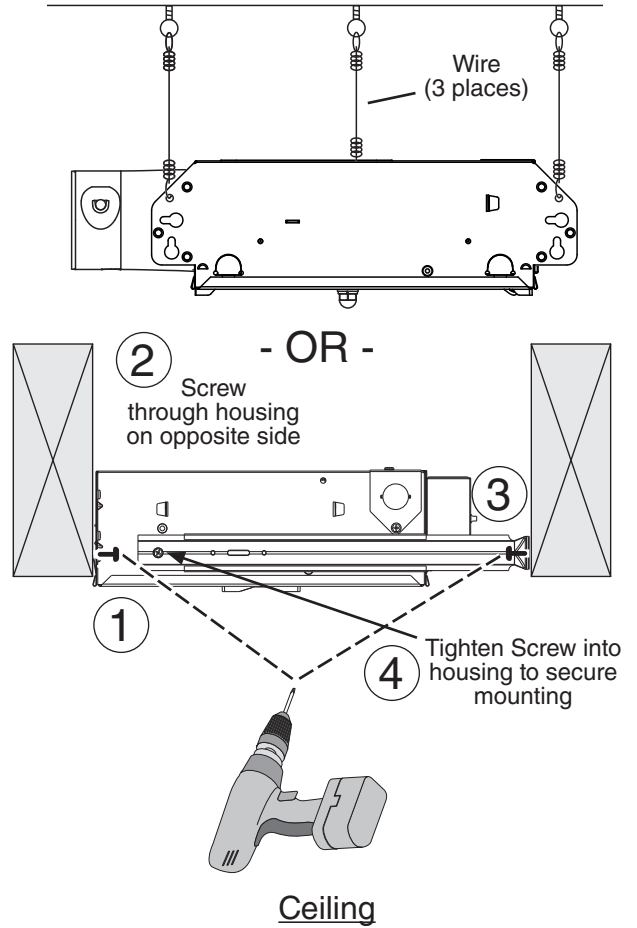
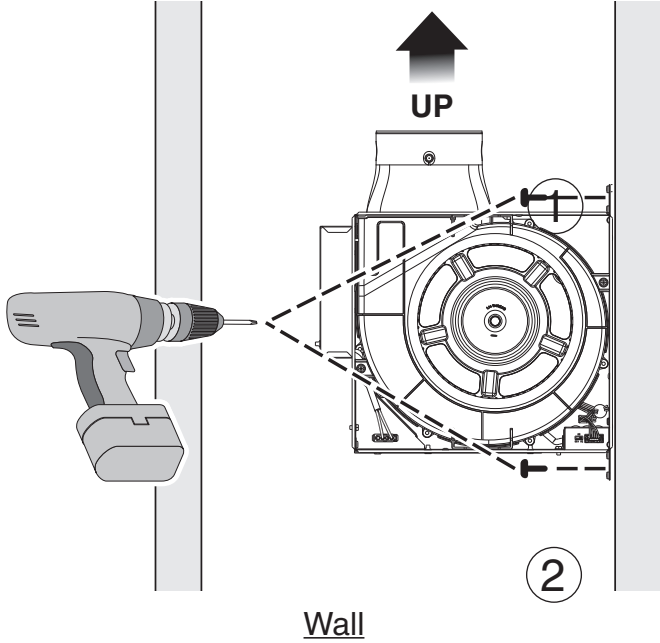
- 4" round metal ducting recommended for best performance.
Use of other ducting is acceptable but may impact performance.
- Roof cap or wall cap (built-in damper recommended)
- Tape to seal duct connections
- Drywall screws, sheet metal screws or wire
- Electrical wiring and supplies per local code requirements

1 Remove from Packaging

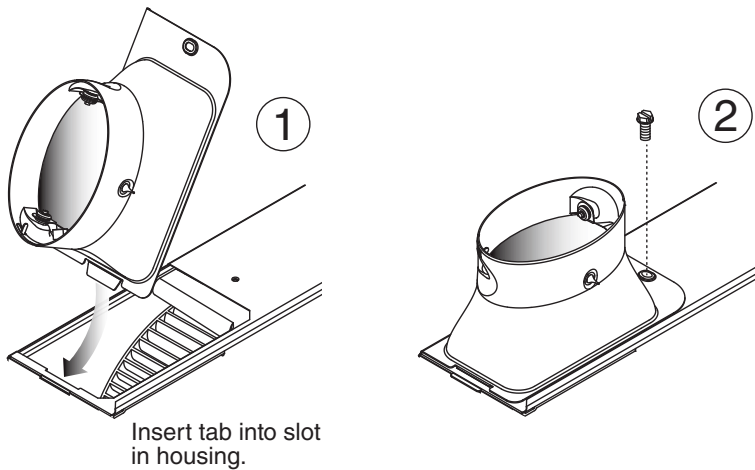


Installation

2 Install in Wall or Ceiling



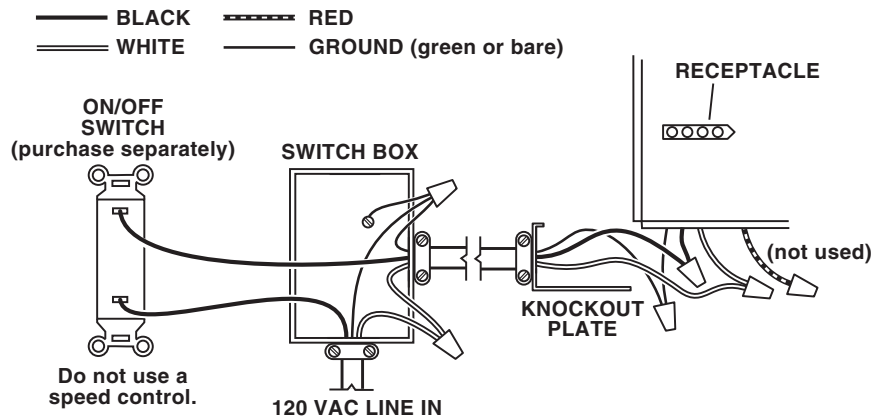
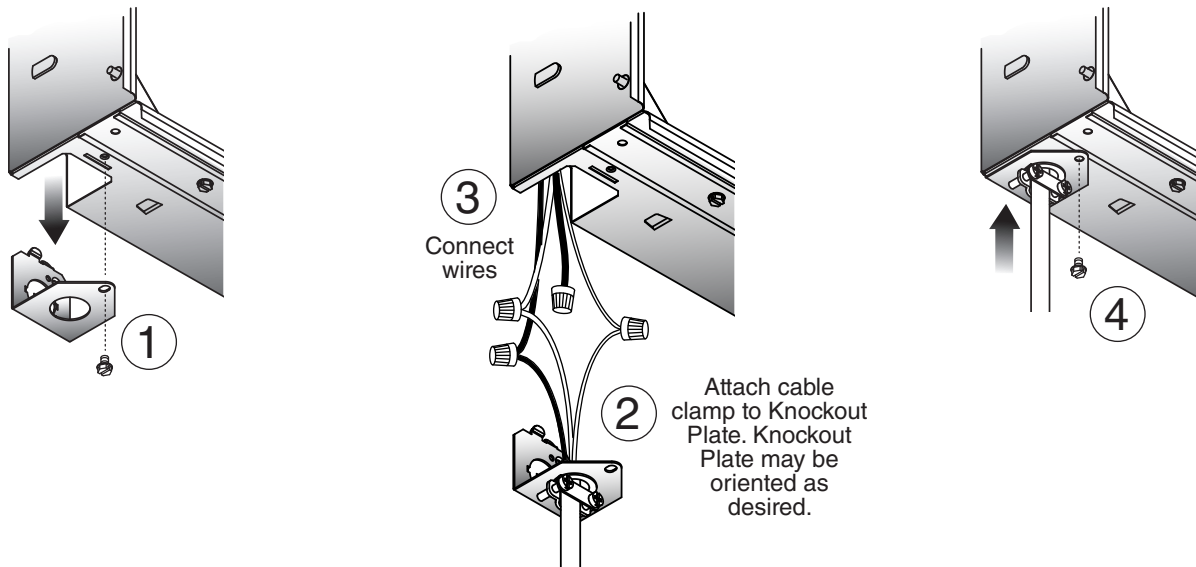
3 Install Ducting



Installation

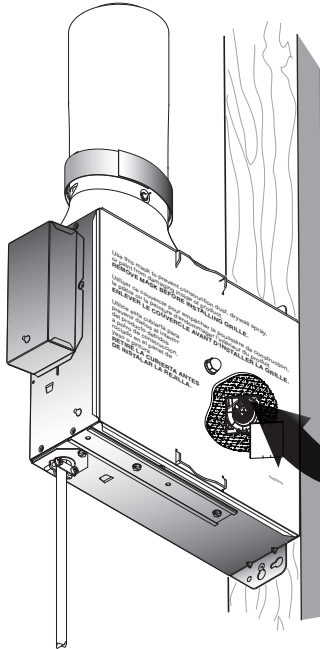
4 Connect Wires

- Run 120VAC electrical wiring to the installation location.
- Use proper UL-approved connectors to secure wiring to the Knockout Plate.
- Connect wires as shown in wiring diagram.



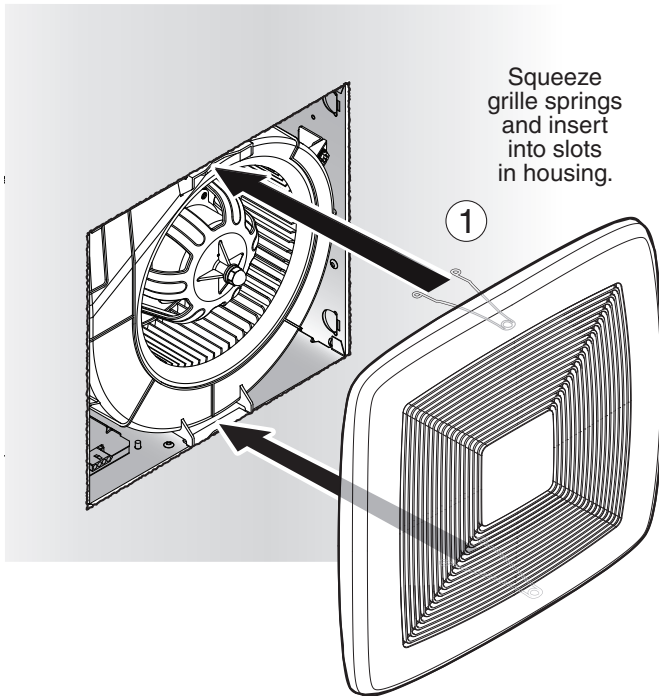
Installation

5 Insert Mask and Finish Wall or Ceiling

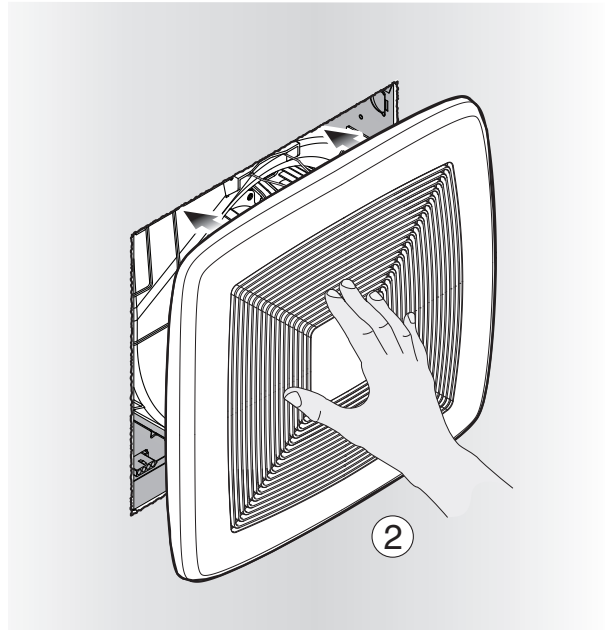


Mask protects unit during construction. Remove before installing Grille.

6 Install Grille



Squeeze grille springs and insert into slots in housing.

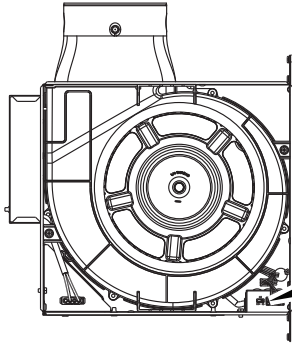


Operation

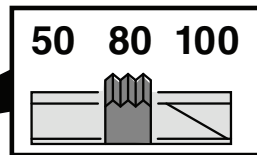
To Operate Fan

Use an ON/OFF switch to operate this ventilator.
Do not use a speed control.

Speed Selection Switch



Select 50, 80 or 100 CFM based on your room size and desired air flow.



WARNING ⚡ Before servicing or cleaning unit, switch power off at service panel and lock the service disconnecting means to prevent power from being switched on accidentally. When the service disconnecting means cannot be locked, securely fasten a prominent warning device, such as a tag, to the service panel.

Cleaning and Maintenance

To Clean

For quiet and efficient operation, long life and attractive appearance, remove Grille and vacuum interior of unit with a dusting brush attachment.

The Motor is permanently lubricated and never needs oiling. If the motor bearings are making excessive or unusual noises, replace the Blower Assembly.

Troubleshooting

Symptom: The fan does not run.

- Check for an open fuse or circuit breaker in the building's service panel.
- Check that the plug-in connections for the Motor Control, Motor, and Speed Selection Switch are seated firmly in place.
- Check that the Blower Wheel spins freely.

Symptom: The fan runs erratically.

- Check that the Blower Wheel is firmly attached to the Motor shaft and both spin freely.

Symptom: The fan seems noisy.

- Check that the back draft damper in the fan's Duct Connector pivots freely. Screws used to attach the ducting to the Duct Connector may be preventing the damper from opening.
- Check that the back draft damper in the wall or roof cap pivots freely. These dampers are sometimes mistakenly painted shut or obstructed by bird and insect debris.